



THE DATASHEET OF
691313510002



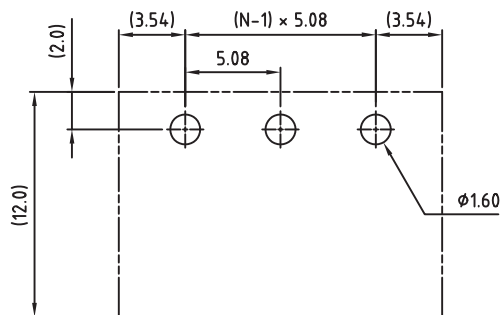
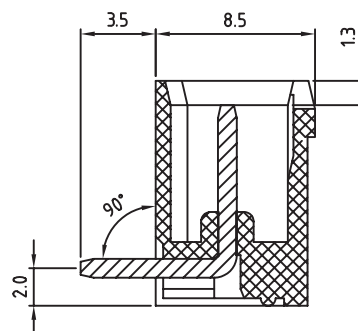
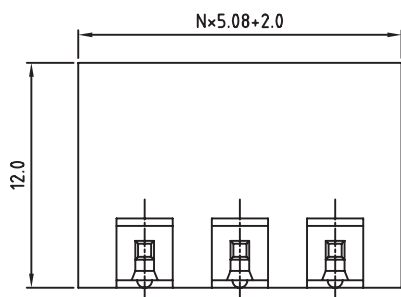
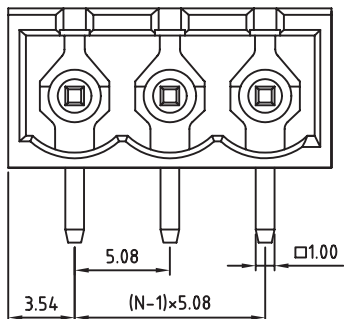
1

2

3

4

5



PCB LAYOUT - COMPONENT VIEW

TECHNICAL CHARACTERISTICS

MATERIAL

INSULATOR: PBT
 FLAMABILITY RATING: UL94-V0
 COLOR: GREEN
 CONTACT PIN: BRASS (CuZn)
 SOLDER TAIL PLATING: TIN

ENVIRONMENTAL

OPERATING TEMPERATURE: -40 UP TO 105°C
 COMPLIANCE: LEAD FREE AND ROHS

ELECTRICAL

	cULus	VDE
CURRENT RATING:	20A	20A
WORKING VOLTAGE:	300VAC	300VAC
WITHSTANDING VOLTAGE:	1.6KV	2.5KV
CONTACT RESISTANCE:	20 mOhm MAX	

STANDARD

CERTIFIED E315414 / MODEL NUMBER 313
 CERTIFIED 40023195 / MODEL NUMBER 313

MECHANICAL

PITCH: 5.08MM

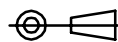
SOLDERING: WAVE PROCESS ONLY

PACKAGING: BOX

SERIE 313

RoHS Compliant

PROJECTION:



GENERAL TOLERANCE

.X = +/- 0.2

.XX = +/- 0.15



APPROVAL: RJ

UNIT: MM

SCALE:

SHEET: 1/1

DRAW: MARVIN

DESCRIPTION: SERIE 313 - 5.08MM CLOSE HORIZONTAL PCB HEADER
 WR-TBL

WERI PART NO: 691 313 510 0xx

SIZE

A4

G			
F			
E			
D			
C	13-OCT-09	STANDARD	JP
B	29-OCT-08	CHARACTERISTICS	JP
A	31-OCT-07	PDF	EC
REV	DATE	FILE	BY

Looking for pricing, stock, or lifecycle information?

Click below to explore more details on WIN SOURCE:

 [View 691313510002 on WIN SOURCE](#)

 [Wurth Electronics Inc Information](#)

Optimize Your Supply Chain with WIN SOURCE Solutions

-  Global Sourcing Solution
-  Obsolete Management
-  Cost Control Management
-  Shortage Management
-  Alternative Solution
-  Excess Inventory Management