



THE DATASHEET OF
62201021121



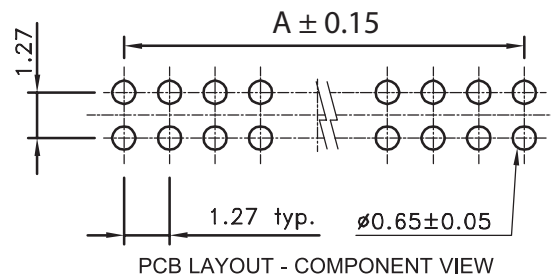
1

2

3

4

5



TECHNICAL CHARACTERISTICS

MATERIAL
 INSULATOR: PA 6T
 FLAMABILITY RATING: UL94-V0
 COLOR: BLACK
 CONTACT MATERIAL: COPPER ALLOYS
 CONTACT TYPE: STAMPED
 CONTACT PLATING: GOLD
 QUALITY CLASS: 3 AS PER CECC 75 301-802
 PITCH: 1.27MM

ENVIRONMENTAL
 OPERATING TEMPERATURE: -40 UP TO 125°C
 COMPLIANCE: LEAD FREE AND ROHS

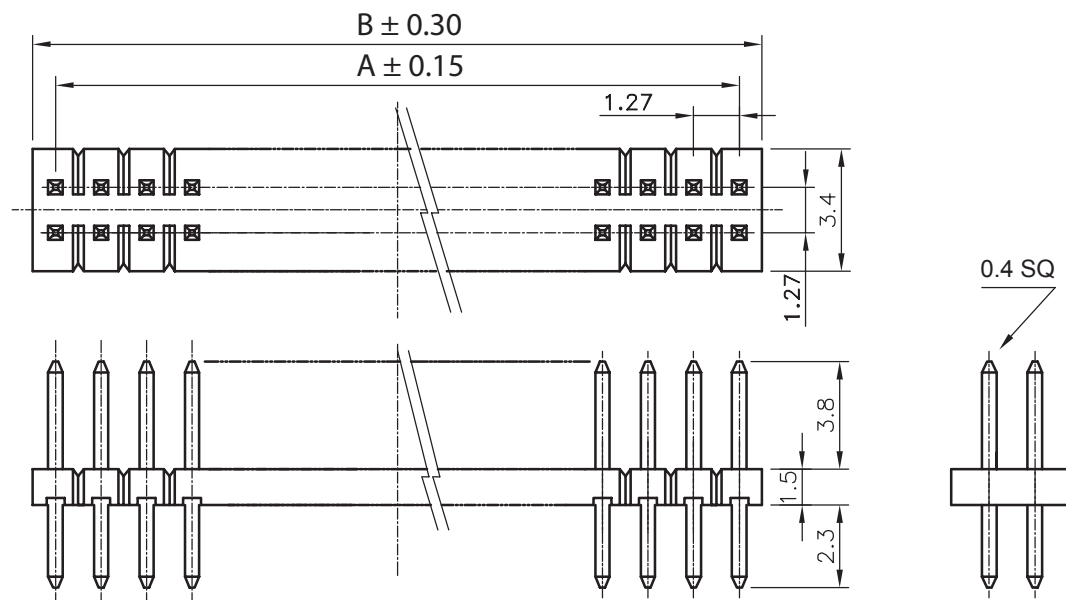
ELECTRICAL
 CURRENT RATING: 1A MAX
 WORKING VOLTAGE: 50V AC
 INSULATOR RESISTANCE: >1000 MOHM
 DIELECTRIC WITHSTANDING VOLTAGE: 500V AC/MN
 CONTACT RESISTANCE: 20 mOHM MAX

STANDARD
 CERTIFIED: E323964

SOLDERING
 JEDEC LEAD FREE WAVE SOLDERING PROCESS

PACKAGING
 BAG

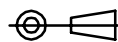
DIMENSION
 A = 1.27 x (NB. PIN / 2 - 1)
 B = 1.27 x (NB. PIN / 2)



RoHS Compliant

G	19-FEB-14	SOLDERING	QL
F	26-JUL-13	DIM A & B	QL
E	24-OCT-11	SOLDERING	GG
D	25-NOV-09	STANDARD	JP
C	23-NOV-07	MODIFICATIONS	EC
B	18-DEC-06	DRAW	EC
A	08-JAN-02	PDF	JP
REV	DATE	FILE	BY

PROJECTION:



APPROVAL: RJ

GENERAL TOLERANCE

.X = ± 0.2

.XX = ± 0.15



DESCRIPTION: 1.27MM DUAL PIN HEADER

WERI PART NO: 622 0xx 211 21

SIZE

A4

Looking for pricing, stock, or lifecycle information?

Click below to explore more details on WIN SOURCE:

 [View 62201021121 on WIN SOURCE](#)

 [Wurth Electronics Inc Information](#)

Optimize Your Supply Chain with WIN SOURCE Solutions

-  Global Sourcing Solution
-  Obsolete Management
-  Cost Control Management
-  Shortage Management
-  Alternative Solution
-  Excess Inventory Management