



**THE DATASHEET OF**  
**61400826021**



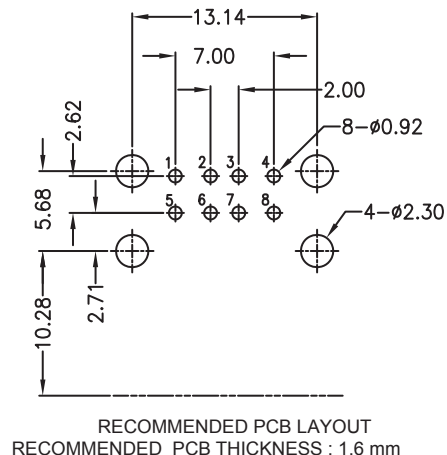
1

2

3

4

5



#### TECHNICAL CHARACTERISTICS

MATERIAL  
INSULATOR: PBT  
FLAMMABILITY RATING: UL94-V0  
COLOR: WHITE  
CONTACT MATERIAL: COPPER ALLOY  
CONTACT TYPE: STAMPED  
CONTACT PLATING: SELECTIVE GOLD  
SHIELDING: BRASS Ni PLATED  
QUALITY CLASS: 1500 MATING CYCLES

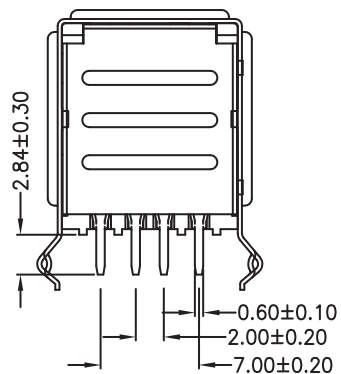
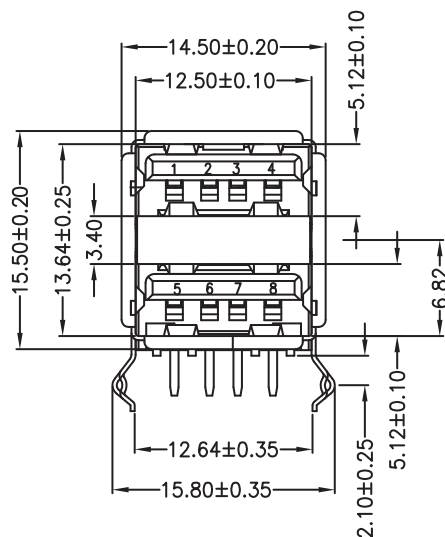
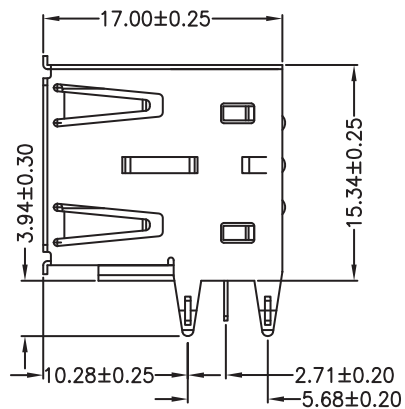
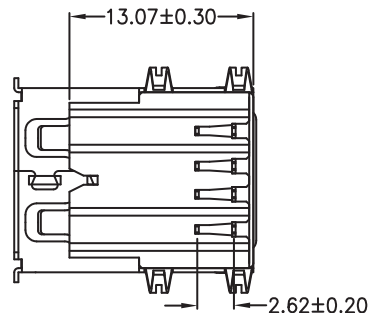
ENVIRONMENTAL  
OPERATING TEMPERATURE: -40°C UP TO +105°C  
COMPLIANCE: LEAD FREE AND ROHS

ELECTRICAL  
CURRENT RATING: 1.5 A  
WORKING VOLTAGE: 30 V  
INSULATOR RESISTANCE: >1000 MΩ  
DIELECTRIC WITHSTANDING VOLTAGE: 750 VAC/MIN  
CONTACT RESISTANCE: 20 mΩ MAX

STANDARD  
CERTIFIED: E323964

SOLDERING  
JEDEC LEAD FREE WAVE SOLDERING

PACKAGING  
TRAY



RoHS Compliant

N	03-OCT-17	TPK	AK
M	09-AVR-15	PCB THICKNESS	QP
L	27-OCT-14	REVIEW	QL
K	23-MAY-13	CURRENT RATING	QL
J	15-FEV-13	DESIGNATION	AR
I	25-SEP-12	DESCRIPTION	GG
H	09-JAN-12	NEW DRAWING	GG
REV	DATE	FILE	BY

PROJECTION:



APPROVAL: NPr

GENERAL TOLERANCE

.X =  $\pm 0.2$ .XX =  $\pm 0.15$ 

DESCRIPTION: DUAL USB 2.0 TYPE A HORIZONTAL

WERI PART NO: 614 008 260 21

SIZE

A4

A

B

C

D

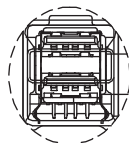
1

2

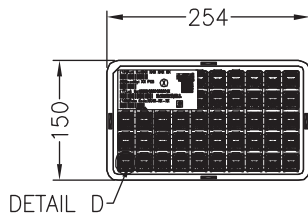
3

4

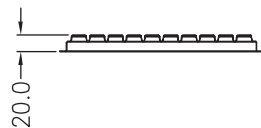
5



DETAIL D

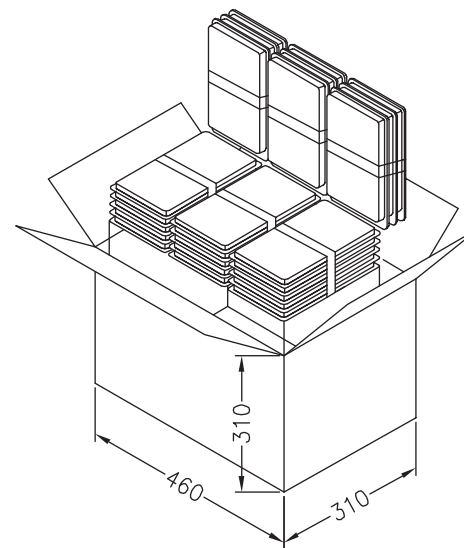
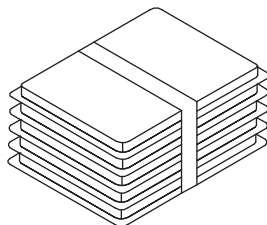


DETAIL D



Box size: 150\*254\*20mm

Flat 5 Tray/pile  
Vertical 3 Tray/pile



Carton Size: 460\*310\*310mm

50 pcs/tray  
56 trays/carton  
2800 pcs/carton

RoHS Compliant

G			
F			
E			
D			
C			
B			
A			
REV	DATE	FILE	BY

PROJECTION:

GENERAL TOLERANCE  
.X = +/- 0.2  
.XX = +/- 0.15



APPROVAL: NPr

UNIT: MM  
SCALE:  
SHEET: 2/3  
DRAW: AK

DESCRIPTION: DUAL USB 2.0 TYPE A HORIZONTAL  
WERI PART NO: 614 008 260 21

SIZE  
**A4**

A

B

C

D

1

2

3

4

5

## Cautions and Warnings:

This electronic component is designed and developed with the intention for use in general electronics equipments.

Before incorporating the components into any equipments in the field such as aerospace, aviation, nuclear control, submarine, transportation, (automotive control, train control, ship control), transportation signal, disaster prevention, medical, public information network etc. where higher safety and reliability are especially required or if there is possibility of direct damage or injury to human body, Würth Elektronik must be asked for a written approval.

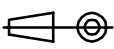

In addition, even electronic component in general electronic equipments, when used in electrical circuits that require high safety, reliability functions or performance, the sufficient reliability evaluation-check for the safety must be performed before by the user before usage.

A

B

C



RoHS Compliant

G				PROJECTION: 	GENERAL TOLERANCE .X = +/- 0.2 .XX = +/- 0.15		
F							
E							
D							
C				APPROVAL: JC	UNIT: MM	DESCRIPTION: DISCLAIMER	SIZE <b>A4</b>
B					SCALE:		
A	10-SEP-14	PDF	QL		SHEET: 3/3	WERI PART NO: DISCLAIMER	
REV	DATE	FILE	BY		DRAW: QL		

D

## Looking for pricing, stock, or lifecycle information?

Click below to explore more details on WIN SOURCE:

-  [View 61400826021 on WIN SOURCE](#)
-  [Wurth Electronics Inc Information](#)

## Optimize Your Supply Chain with WIN SOURCE Solutions

-  Global Sourcing Solution
-  Obsolete Management
-  Cost Control Management
-  Shortage Management
-  Alternative Solution
-  Excess Inventory Management