



**THE DATASHEET OF  
5CGXFC9E6F35I7N**





# Cyclone V Device Datasheet



[Online Version](#)

[Send Feedback](#)

CV-51002

ID: **683801**

Version: **2019.11.27**

## Contents

---

|  |          |
|--|----------|
| <b>Cyclone V Device Datasheet.....</b>                           | <b>3</b> |
| Electrical Characteristics.....                                  | 4        |
| Operating Conditions.....  | 4        |
| Switching Characteristics.....                                   | 24       |
| Transceiver Performance Specifications.....                      | 25       |
| Core Performance Specifications.....                             | 40       |
| Periphery Performance.....                                       | 45       |
| HPS Specifications.....  | 51       |
| Configuration Specifications.....                                | 67       |
| POR Specifications.....  | 68       |
| FPGA JTAG Configuration Timing.....                              | 68       |
| FPP Configuration Timing.....                                    | 69       |
| Active Serial (AS) Configuration Timing.....                     | 73       |
| DCLK Frequency Specification in the AS Configuration Scheme..... | 75       |
| Passive Serial (PS) Configuration Timing.....                    | 75       |
| Initialization.....  | 77       |
| Configuration Files.....   | 77       |
| Minimum Configuration Time Estimation.....                       | 79       |
| Remote System Upgrades.....                                      | 80       |
| User Watchdog Internal Oscillator Frequency Specifications.....  | 81       |
| I/O Timing.....  | 81       |
| Programmable IOE Delay.....                                      | 82       |
| Programmable Output Buffer Delay.....                            | 82       |
| Glossary.....  | 83       |
| Document Revision History for Cyclone V Device Datasheet.....    | 89       |

## Cyclone V Device Datasheet

This datasheet describes the electrical characteristics, switching characteristics, configuration specifications, and I/O timing for Cyclone® V devices.

Cyclone V devices are offered in commercial and industrial grades. Commercial devices are offered in –C6 (fastest), –C7, and –C8 speed grades. Industrial grade devices are offered in the –I7 speed grade. Automotive devices are offered in the –A7 speed grade.

Cyclone V SoC devices are also offered in a low-power variant, as indicated by the L power option in the device part number. These devices have 30% static power reduction for devices with 25K LE and 40K LE, and 20% static power reduction for devices with 85K LE and 110K LE. Note that the L power option devices are only available in –I7 speed grade, and have the equivalent operating conditions and timing specifications as the standard –I7 speed grade devices.

**Table 1. Low Power Variants**

| Density | Ordering Part Number (OPN) | Static Power Reduction |
|---------|----------------------------|------------------------|
| 25K LE  | 5CSEBA2U19I7LN             | 30%                    |
|         | 5CSEBA2U23I7LN             |                        |
|         | 5CSXFC2C6U23I7LN           |                        |
| 40K LE  | 5CSEBA4U19I7LN             | 20%                    |
|         | 5CSEBA4U23I7LN             |                        |
|         | 5CSXFC4C6U23I7LN           |                        |
| 85K LE  | 5CSEBA5U19I7LN             | 20%                    |
|         | 5CSEBA5U23I7LN             |                        |
|         | 5CSXC5C6U23I7LN            |                        |

*continued...*

| Density | Ordering Part Number (OPN) | Static Power Reduction |
|---------|----------------------------|------------------------|
| 110K LE | 5CSEBA6U19I7LN             |                        |
|         | 5CSEBA6U23I7LN             |                        |
|         | 5CSXFC6C6U23I7LN           |                        |

To estimate total power consumption for a low-power device, listed in [Table 1](#) on page 3:

- Multiply the Total Static Power reported by the Early Power Estimator (EPE) by the appropriate scale factor:
  - For 25K LE and 40K LE devices, use 0.7
  - For 85K LE and 110K LE devices, use 0.8
- Add the result from Step 1 on page 4 to the Total Dynamic Power reported by the EPE.

#### Related Information

[Cyclone V Device Overview](#)

Provides more information about the densities and packages of devices in the Cyclone V family.

## Electrical Characteristics

The following sections describe the operating conditions and power consumption of Cyclone V devices.

### Operating Conditions

Cyclone V devices are rated according to a set of defined parameters. To maintain the highest possible performance and reliability of the Cyclone V devices, you must consider the operating requirements described in this section.

### Absolute Maximum Ratings

This section defines the maximum operating conditions for Cyclone V devices. The values are based on experiments conducted with the devices and theoretical modeling of breakdown and damage mechanisms.

The functional operation of the device is not implied for these conditions.

**Caution:** Conditions outside the range listed in the following table may cause permanent damage to the device. Additionally, device operation at the absolute maximum ratings for extended periods of time may have adverse effects on the device.

**Table 2. Absolute Maximum Ratings for Cyclone V Devices**

| Symbol                                    | Description  | Minimum | Maximum | Unit |
|---|--|---------|---------|------|
| V <sub>CC</sub>                           | Core voltage and periphery circuitry power supply                      | -0.5    | 1.43    | V    |
| V <sub>CCPGM</sub>                        | Configuration pins power supply  | -0.5    | 3.90    | V    |
| V <sub>CC_AUX</sub>                       | Auxiliary supply   | -0.5    | 3.25    | V    |
| V <sub>CCBAT</sub>                        | Battery back-up power supply for design security volatile key register | -0.5    | 3.90    | V    |
| V <sub>CCPD</sub>                         | I/O pre-driver power supply  | -0.5    | 3.90    | V    |
| V <sub>CCIO</sub>                         | I/O power supply   | -0.5    | 3.90    | V    |
| V <sub>CCA_FPLL</sub>                     | Phase-locked loop (PLL) analog power supply                            | -0.5    | 3.25    | V    |
| V <sub>CCH_GXB</sub>                      | Transceiver high voltage power   | -0.5    | 3.25    | V    |
| V <sub>CCE_GXB</sub>                      | Transceiver power  | -0.5    | 1.50    | V    |
| V <sub>CCL_GXB</sub>                      | Transceiver clock network power  | -0.5    | 1.50    | V    |
| V <sub>I</sub>                            | DC input voltage   | -0.5    | 3.80    | V    |
| V <sub>CC_HPS</sub>                       | HPS core voltage and periphery circuitry power supply                  | -0.5    | 1.43    | V    |
| V <sub>CCPD_HPS</sub>                     | HPS I/O pre-driver power supply  | -0.5    | 3.90    | V    |
| V <sub>CCIO_HPS</sub>                     | HPS I/O power supply   | -0.5    | 3.90    | V    |
| V <sub>CCRSTCLK_HPS</sub>                 | HPS reset and clock input pins power supply                            | -0.5    | 3.90    | V    |
| V <sub>CCPLL_HPS</sub>                    | HPS PLL analog power supply  | -0.5    | 3.25    | V    |
| V <sub>CC_AUX_SHARED</sub> <sup>(1)</sup> | HPS auxiliary power supply   | -0.5    | 3.25    | V    |
| I <sub>OUT</sub>                          | DC output current per pin  | -25     | 40      | mA   |
| T <sub>J</sub>                            | Operating junction temperature   | -55     | 125     | °C   |
| T <sub>STG</sub>                          | Storage temperature (no bias)  | -65     | 150     | °C   |

<sup>(1)</sup> V<sub>CC\_AUX\_SHARED</sub> must be powered by the same source as V<sub>CC\_AUX</sub> for Cyclone V SX C5, C6, D5, and D6 devices, and Cyclone V SE A5 and A6 devices.

### Maximum Allowed Overshoot and Undershoot Voltage

During transitions, input signals may overshoot to the voltage listed in the following table and undershoot to  $-2.0$  V for input currents less than 100 mA and periods shorter than 20 ns.

The maximum allowed overshoot duration is specified as a percentage of high time over the lifetime of the device. A DC signal is equivalent to 100% duty cycle.

For example, a signal that overshoots to 4.00 V can only be at 4.00 V for  $\sim 15\%$  over the lifetime of the device; for a device lifetime of 10 years, this amounts to 1.5 years.

**Table 3. Maximum Allowed Overshoot During Transitions for Cyclone V Devices**

This table lists the maximum allowed input overshoot voltage and the duration of the overshoot voltage as a percentage of device lifetime.

| Symbol  | Description      | Condition (V) | Overshoot Duration as % of High Time | Unit |
|---------|------------------|---------------|--------------------------------------|------|
| Vi (AC) | AC input voltage | 3.8           | 100                                  | %    |
|         |                  | 3.85          | 68                                   | %    |
|         |                  | 3.9           | 45                                   | %    |
|         |                  | 3.95          | 28                                   | %    |
|         |                  | 4             | 15                                   | %    |
|         |                  | 4.05          | 13                                   | %    |
|         |                  | 4.1           | 11                                   | %    |
|         |                  | 4.15          | 9                                    | %    |
|         |                  | 4.2           | 8                                    | %    |
|         |                  | 4.25          | 7                                    | %    |
|         |                  | 4.3           | 5.4                                  | %    |
|         |                  | 4.35          | 3.2                                  | %    |
|         |                  | 4.4           | 1.9                                  | %    |
| 4.45    | 1.1              | %             |                                      |      |

*continued...*

| Symbol | Description | Condition (V) | Overshoot Duration as % of High Time | Unit |
|--------|-------------|---------------|--------------------------------------|------|
|        |             | 4.5           | 0.6                                  | %    |
|        |             | 4.55          | 0.4                                  | %    |
|        |             | 4.6           | 0.2                                  | %    |

For an overshoot of 3.8 V, the percentage of high time for the overshoot can be as high as 100% over a 10-year period. Percentage of high time is calculated as  $([\Delta T]/T) \times 100$ . This 10-year period assumes that the device is always turned on with 100% I/O toggle rate and 50% duty cycle signal.

**Figure 1. Cyclone V Devices Overshoot Duration**



### Recommended Operating Conditions

This section lists the functional operation limits for the AC and DC parameters for Cyclone V devices.

## Recommended Operating Conditions

**Table 4. Recommended Operating Conditions for Cyclone V Devices**

This table lists the steady-state voltage values expected from Cyclone V devices. Power supply ramps must all be strictly monotonic, without plateaus.

| Symbol                           | Description  | Condition   | Minimum <sup>(2)</sup> | Typical | Maximum <sup>(2)</sup> | Unit |
|----------------------------------|--|---|------------------------|---------|------------------------|------|
| V <sub>CC</sub>                  | Core voltage, periphery circuitry power supply, transceiver physical coding sublayer (PCS) power supply, and transceiver PCI Express* (PCIe*) hard IP digital power supply | Devices without internal scrubbing feature                              | 1.07                   | 1.1     | 1.13                   | V    |
|                                  |  | Devices with internal scrubbing feature (with SC suffix) <sup>(3)</sup> | 1.12                   | 1.15    | 1.18                   | V    |
| V <sub>CC_AUX</sub>              | Auxiliary supply   | —   | 2.375                  | 2.5     | 2.625                  | V    |
| V <sub>CCPD</sub> <sup>(4)</sup> | I/O pre-driver power supply  | 3.3 V   | 3.135                  | 3.3     | 3.465                  | V    |
|                                  |  | 3.0 V   | 2.85                   | 3.0     | 3.15                   | V    |
|                                  |  | 2.5 V   | 2.375                  | 2.5     | 2.625                  | V    |
| V <sub>CCIO</sub>                | I/O buffers power supply   | 3.3 V   | 3.135                  | 3.3     | 3.465                  | V    |
|                                  |  | 3.0 V   | 2.85                   | 3.0     | 3.15                   | V    |
|                                  |  | 2.5 V   | 2.375                  | 2.5     | 2.625                  | V    |
|                                  |  | 1.8 V   | 1.71                   | 1.8     | 1.89                   | V    |
|                                  |  | 1.5 V   | 1.425                  | 1.5     | 1.575                  | V    |
|                                  |  | 1.35 V  | 1.283                  | 1.35    | 1.418                  | V    |
|                                  |  | 1.25 V  | 1.19                   | 1.25    | 1.31                   | V    |
|                                  |  | 1.2 V   | 1.14                   | 1.2     | 1.26                   | V    |

*continued...*

- (2) The power supply value describes the budget for the DC (static) power supply tolerance and does not include the dynamic tolerance requirements. Refer to the PDN tool for the additional budget for the dynamic tolerance requirements.
- (3) The SEU internal scrubbing feature is available for Cyclone V E, GX, SE, and SX devices with the "SC" suffix in the part number. For device availability and ordering, contact your local Intel sales representatives.
- (4) V<sub>CCPD</sub> must be 2.5 V when V<sub>CCIO</sub> is 2.5, 1.8, 1.5, 1.35, 1.25, or 1.2 V. V<sub>CCPD</sub> must be 3.0 V when V<sub>CCIO</sub> is 3.0 V. V<sub>CCPD</sub> must be 3.3 V when V<sub>CCIO</sub> is 3.3 V.

| Symbol                               | Description   | Condition    | Minimum <sup>(2)</sup> | Typical | Maximum <sup>(2)</sup> | Unit |
|--------------------------------------|---|--------------|------------------------|---------|------------------------|------|
| V <sub>CCPGM</sub>                   | Configuration pins power supply   | 3.3 V        | 3.135                  | 3.3     | 3.465                  | V    |
|                                      |   | 3.0 V        | 2.85                   | 3.0     | 3.15                   | V    |
|                                      |   | 2.5 V        | 2.375                  | 2.5     | 2.625                  | V    |
|                                      |   | 1.8 V        | 1.71                   | 1.8     | 1.89                   | V    |
| V <sub>CCA_FPLL</sub> <sup>(5)</sup> | PLL analog voltage regulator power supply                                   | —            | 2.375                  | 2.5     | 2.625                  | V    |
| V <sub>CCBAT</sub> <sup>(6)</sup>    | Battery back-up power supply<br>(For design security volatile key register) | —            | 1.2                    | —       | 3.0                    | V    |
| V <sub>I</sub>                       | DC input voltage  | —            | -0.5                   | —       | 3.6                    | V    |
| V <sub>O</sub>                       | Output voltage  | —            | 0                      | —       | V <sub>CCIO</sub>      | V    |
| T <sub>J</sub>                       | Operating junction temperature  | Commercial   | 0                      | —       | 85                     | °C   |
|                                      |   | Industrial   | -40                    | —       | 100                    | °C   |
|                                      |   | Automotive   | -40                    | —       | 125                    | °C   |
| t <sub>RAMP</sub> <sup>(7)</sup>     | Power supply ramp time  | Standard POR | 200µs                  | —       | 100ms                  | —    |
|                                      |   | Fast POR     | 200µs                  | —       | 4ms                    | —    |

(2) The power supply value describes the budget for the DC (static) power supply tolerance and does not include the dynamic tolerance requirements. Refer to the PDN tool for the additional budget for the dynamic tolerance requirements.

(5) PLL digital voltage is regulated from V<sub>CCA\_FPLL</sub>.

(6) If you do not use the design security feature in Cyclone V devices, connect V<sub>CCBAT</sub> to a 1.5-V, 2.5-V, or 3.0-V power supply. Cyclone V power-on reset (POR) circuitry monitors V<sub>CCBAT</sub>. Cyclone V devices do not exit POR if V<sub>CCBAT</sub> is not powered up.

(7) This is also applicable to HPS power supply. For HPS power supply, refer to t<sub>RAMP</sub> specifications for standard POR when HPS\_PORSEL = 0 and t<sub>RAMP</sub> specifications for fast POR when HPS\_PORSEL = 1.

## Transceiver Power Supply Operating Conditions

**Table 5. Transceiver Power Supply Operating Conditions for Cyclone V GX, GT, SX, and ST Devices**

| Symbol                                   | Description                                | Minimum <sup>(8)</sup> | Typical | Maximum <sup>(8)</sup> | Unit |
|--|--|------------------------|---------|------------------------|------|
| V <sub>CCH_GXBL</sub>                    | Transceiver high voltage power (left side) | 2.375                  | 2.5     | 2.625                  | V    |
| V <sub>CCE_GXBL</sub> <sup>(9)(10)</sup> | Transmitter and receiver power (left side) | 1.07/1.17              | 1.1/1.2 | 1.13/1.23              | V    |
| V <sub>CCL_GXBL</sub> <sup>(9)(10)</sup> | Clock network power (left side)            | 1.07/1.17              | 1.1/1.2 | 1.13/1.23              | V    |

### Related Information

- [PCIe Supported Configurations and Placement Guidelines](#)  
 Provides more information about the maximum full duplex channels recommended in Cyclone V GT and ST devices which require full compliance to the PCIe Gen2 transmit jitter specification.
- [6.144-Gbps Support Capability in Cyclone V GT Devices](#)  
 Provides more information about the maximum full duplex channels recommended in Cyclone V GT and ST devices for CPRI 6.144 Gbps.

<sup>(8)</sup> The power supply value describes the budget for the DC (static) power supply tolerance and does not include the dynamic tolerance requirements. Refer to the PDN tool for the additional budget for the dynamic tolerance requirements.

<sup>(9)</sup> Intel recommends increasing the V<sub>CCE\_GXBL</sub> and V<sub>CCL\_GXBL</sub> typical value from 1.1 V to 1.2 V for Cyclone V GT and ST FPGA systems which require full compliance to the PCIe Gen2 transmit jitter specification. For more information about the maximum full duplex channels recommended in Cyclone V GT and ST devices under this condition, refer to the *Transceiver Protocol Configurations in Cyclone V Devices* chapter.

<sup>(10)</sup> Intel recommends increasing the V<sub>CCE\_GXBL</sub> and V<sub>CCL\_GXBL</sub> typical value from 1.1 V to 1.2 V for full compliance to CPRI transmit jitter specification at 4.9152 Gbps (Cyclone V GT and ST devices) and 6.144Gbps (Cyclone V GT and ST devices only). For more information about the maximum full duplex channels recommended in Cyclone V GT and ST devices for CPRI 6.144 Gbps, refer to the *Transceiver Protocol Configurations in Cyclone V Devices* chapter.

## HPS Power Supply Operating Conditions

**Table 6. HPS Power Supply Operating Conditions for Cyclone V SX and ST Devices**

This table lists the steady-state voltage and current values expected from Cyclone V system-on-a-chip (SoC) devices with Arm\*-based hard processor system (HPS). Power supply ramps must all be strictly monotonic, without plateaus. Refer to the *Recommended Operating Conditions for Cyclone V Devices* table for the steady-state voltage values expected from the FPGA portion of the Cyclone V SoC devices.

| Symbol                                | Description   | Condition              | Minimum <sup>(11)</sup> | Typical | Maximum <sup>(11)</sup> | Unit |
|---------------------------------------|---|------------------------|-------------------------|---------|-------------------------|------|
| V <sub>CC_HPS</sub>                   | HPS core voltage and periphery circuitry power supply | —                      | 1.07                    | 1.1     | 1.13                    | V    |
| V <sub>CCPD_HPS</sub> <sup>(12)</sup> | HPS I/O pre-driver power supply                       | 3.3 V                  | 3.135                   | 3.3     | 3.465                   | V    |
|                                       |   | 3.0 V                  | 2.85                    | 3.0     | 3.15                    | V    |
|                                       |   | 2.5 V                  | 2.375                   | 2.5     | 2.625                   | V    |
| V <sub>CCIO_HPS</sub>                 | HPS I/O buffers power supply                          | 3.3 V                  | 3.135                   | 3.3     | 3.465                   | V    |
|                                       |   | 3.0 V                  | 2.85                    | 3.0     | 3.15                    | V    |
|                                       |   | 2.5 V                  | 2.375                   | 2.5     | 2.625                   | V    |
|                                       |   | 1.8 V                  | 1.71                    | 1.8     | 1.89                    | V    |
|                                       |   | 1.5 V                  | 1.425                   | 1.5     | 1.575                   | V    |
|                                       |   | 1.35 V <sup>(13)</sup> | 1.283                   | 1.35    | 1.418                   | V    |
|                                       |   | 1.2 V                  | 1.14                    | 1.2     | 1.26                    | V    |
| V <sub>CCRSTCLK_HPS</sub>             | HPS reset and clock input pins power supply           | 3.3 V                  | 3.135                   | 3.3     | 3.465                   | V    |
|                                       |   | 3.0 V                  | 2.85                    | 3.0     | 3.15                    | V    |
|                                       |   | 2.5 V                  | 2.375                   | 2.5     | 2.625                   | V    |

*continued...*

- <sup>(11)</sup> The power supply value describes the budget for the DC (static) power supply tolerance and does not include the dynamic tolerance requirements. Refer to the PDN tool for the additional budget for the dynamic tolerance requirements.
- <sup>(12)</sup> V<sub>CCPD\_HPS</sub> must be 2.5 V when V<sub>CCIO\_HPS</sub> is 2.5, 1.8, 1.5, or 1.2 V. V<sub>CCPD\_HPS</sub> must be 3.0 V when V<sub>CCIO\_HPS</sub> is 3.0 V. V<sub>CCPD\_HPS</sub> must be 3.3 V when V<sub>CCIO\_HPS</sub> is 3.3 V.
- <sup>(13)</sup> V<sub>CCIO\_HPS</sub> 1.35 V is supported for HPS row I/O bank only.

| Symbol                                     | Description                                   | Condition | Minimum <sup>(11)</sup> | Typical | Maximum <sup>(11)</sup> | Unit |
|--|---|-----------|-------------------------|---------|-------------------------|------|
|  |   | 1.8 V     | 1.71                    | 1.8     | 1.89                    | V    |
| V <sub>CCPLL_HPS</sub>                     | HPS PLL analog voltage regulator power supply | —         | 2.375                   | 2.5     | 2.625                   | V    |
| V <sub>CC_AUX_SHARED</sub> <sup>(14)</sup> | HPS auxiliary power supply                    | —         | 2.375                   | 2.5     | 2.625                   | V    |

### Related Information

[Recommended Operating Conditions](#) on page 8

Provides the steady-state voltage values for the FPGA portion of the device.

## DC Characteristics

### Supply Current and Power Consumption

Intel offers two ways to estimate power for your design—the Excel-based Early Power Estimator (EPE) and the Intel® Quartus® Prime Power Analyzer feature.

Use the Excel-based EPE before you start your design to estimate the supply current for your design. The EPE provides a magnitude estimate of the device power because these currents vary greatly with the resources you use.

The Intel Quartus Prime Power Analyzer provides better quality estimates based on the specifics of the design after you complete place-and-route. The Power Analyzer can apply a combination of user-entered, simulation-derived, and estimated signal activities that, when combined with detailed circuit models, yields very accurate power estimates.

### Related Information

- [Early Power Estimator User Guide](#)  
Provides more information about power estimation tools.
- [Power Analysis chapter, Intel Quartus Prime Handbook](#)  
Provides more information about power estimation tools.

<sup>(11)</sup> The power supply value describes the budget for the DC (static) power supply tolerance and does not include the dynamic tolerance requirements. Refer to the PDN tool for the additional budget for the dynamic tolerance requirements.

<sup>(14)</sup> V<sub>CC\_AUX\_SHARED</sub> must be powered by the same source as V<sub>CC\_AUX</sub> for Cyclone V SX C5, C6, D5, and D6 devices, and Cyclone V SE A5 and A6 devices.

## I/O Pin Leakage Current

**Table 7. I/O Pin Leakage Current for Cyclone V Devices**

| Symbol   | Description        | Condition                         | Min | Typ | Max | Unit          |
|----------|--------------------|-----------------------------------|-----|-----|-----|---------------|
| $I_I$    | Input pin          | $V_I = 0\text{ V to }V_{CCIOMAX}$ | -30 | —   | 30  | $\mu\text{A}$ |
| $I_{OZ}$ | Tri-stated I/O pin | $V_O = 0\text{ V to }V_{CCIOMAX}$ | -30 | —   | 30  | $\mu\text{A}$ |

## Bus Hold Specifications

**Table 8. Bus Hold Parameters for Cyclone V Devices**

The bus-hold trip points are based on calculated input voltages from the JEDEC\* standard.

| Parameter                          | Symbol     | Condition                        | $V_{CCIO}$ (V) |      |       |       |      |      |     |      |     |      |     |      | Unit          |
|------------------------------------|------------|----------------------------------|----------------|------|-------|-------|------|------|-----|------|-----|------|-----|------|---------------|
|                                    |            |                                  | 1.2            |      | 1.5   |       | 1.8  |      | 2.5 |      | 3.0 |      | 3.3 |      |               |
|                                    |            |                                  | Min            | Max  | Min   | Max   | Min  | Max  | Min | Max  | Min | Max  | Min | Max  |               |
| Bus-hold, low, sustaining current  | $I_{SUSL}$ | $V_{IN} > V_{IL}$<br>(max)       | 8              | —    | 12    | —     | 30   | —    | 50  | —    | 70  | —    | 70  | —    | $\mu\text{A}$ |
| Bus-hold, high, sustaining current | $I_{SUSH}$ | $V_{IN} < V_{IH}$<br>(min)       | -8             | —    | -12   | —     | -30  | —    | -50 | —    | -70 | —    | -70 | —    | $\mu\text{A}$ |
| Bus-hold, low, overdrive current   | $I_{ODL}$  | $0\text{ V} < V_{IN} < V_{CCIO}$ | —              | 125  | —     | 175   | —    | 200  | —   | 300  | —   | 500  | —   | 500  | $\mu\text{A}$ |
| Bus-hold, high, overdrive current  | $I_{ODH}$  | $0\text{ V} < V_{IN} < V_{CCIO}$ | —              | -125 | —     | -175  | —    | -200 | —   | -300 | —   | -500 | —   | -500 | $\mu\text{A}$ |
| Bus-hold trip point                | $V_{TRIP}$ | —                                | 0.3            | 0.9  | 0.375 | 1.125 | 0.68 | 1.07 | 0.7 | 1.7  | 0.8 | 2    | 0.8 | 2    | V             |

## OCT Calibration Accuracy Specifications

If you enable on-chip termination (OCT) calibration, calibration is automatically performed at power up for I/Os connected to the calibration block.

**Table 9. OCT Calibration Accuracy Specifications for Cyclone V Devices**

Calibration accuracy for the calibrated on-chip series termination ( $R_S$  OCT) and on-chip parallel termination ( $R_T$  OCT) are applicable at the moment of calibration. When process, voltage, and temperature (PVT) conditions change after calibration, the tolerance may change.

| Symbol  | Description  | Condition (V)                        | Calibration Accuracy |            |            | Unit |
|---|--|--------------------------------------|----------------------|------------|------------|------|
|   |  |                                      | -C6                  | -I7, -C7   | -C8, -A7   |      |
| 25- $\Omega$ $R_S$  | Internal series termination with calibration (25- $\Omega$ setting)  | $V_{CCIO} = 3.0, 2.5, 1.8, 1.5, 1.2$ | $\pm 15$             | $\pm 15$   | $\pm 15$   | %    |
| 50- $\Omega$ $R_S$  | Internal series termination with calibration (50- $\Omega$ setting)  | $V_{CCIO} = 3.0, 2.5, 1.8, 1.5, 1.2$ | $\pm 15$             | $\pm 15$   | $\pm 15$   | %    |
| 34- $\Omega$ and 40- $\Omega$ $R_S$   | Internal series termination with calibration (34- $\Omega$ and 40- $\Omega$ setting)   | $V_{CCIO} = 1.5, 1.35, 1.25, 1.2$    | $\pm 15$             | $\pm 15$   | $\pm 15$   | %    |
| 48- $\Omega$ , 60- $\Omega$ , and 80- $\Omega$ $R_S$                                | Internal series termination with calibration (48- $\Omega$ , 60- $\Omega$ , and 80- $\Omega$ setting)                                  | $V_{CCIO} = 1.2$                     | $\pm 15$             | $\pm 15$   | $\pm 15$   | %    |
| 50- $\Omega$ $R_T$  | Internal parallel termination with calibration (50- $\Omega$ setting)  | $V_{CCIO} = 2.5, 1.8, 1.5, 1.2$      | -10 to +40           | -10 to +40 | -10 to +40 | %    |
| 20- $\Omega$ , 30- $\Omega$ , 40- $\Omega$ , 60- $\Omega$ , and 120- $\Omega$ $R_T$ | Internal parallel termination with calibration (20- $\Omega$ , 30- $\Omega$ , 40- $\Omega$ , 60- $\Omega$ , and 120- $\Omega$ setting) | $V_{CCIO} = 1.5, 1.35, 1.25$         | -10 to +40           | -10 to +40 | -10 to +40 | %    |
| 60- $\Omega$ and 120- $\Omega$ $R_T$  | Internal parallel termination with calibration (60- $\Omega$ and 120- $\Omega$ setting)  | $V_{CCIO} = 1.2$                     | -10 to +40           | -10 to +40 | -10 to +40 | %    |
| 25- $\Omega$ $R_{S\_left\_shift}$   | Internal left shift series termination with calibration (25- $\Omega$ $R_{S\_left\_shift}$ setting)                                    | $V_{CCIO} = 3.0, 2.5, 1.8, 1.5, 1.2$ | $\pm 15$             | $\pm 15$   | $\pm 15$   | %    |

## OCT Without Calibration Resistance Tolerance Specifications

**Table 10. OCT Without Calibration Resistance Tolerance Specifications for Cyclone V Devices**

This table lists the Cyclone V OCT without calibration resistance tolerance to PVT changes.

| Symbol               | Description  | Condition (V)                | Resistance Tolerance |          |          | Unit |
|----------------------|--|------------------------------|----------------------|----------|----------|------|
|                      |  |                              | -C6                  | -I7, -C7 | -C8, -A7 |      |
| 25-Ω R <sub>S</sub>  | Internal series termination without calibration (25-Ω setting) | V <sub>CCIO</sub> = 3.0, 2.5 | ±30                  | ±40      | ±40      | %    |
| 25-Ω R <sub>S</sub>  | Internal series termination without calibration (25-Ω setting) | V <sub>CCIO</sub> = 1.8, 1.5 | ±30                  | ±40      | ±40      | %    |
| 25-Ω R <sub>S</sub>  | Internal series termination without calibration (25-Ω setting) | V <sub>CCIO</sub> = 1.2      | ±35                  | ±50      | ±50      | %    |
| 50-Ω R <sub>S</sub>  | Internal series termination without calibration (50-Ω setting) | V <sub>CCIO</sub> = 3.0, 2.5 | ±30                  | ±40      | ±40      | %    |
| 50-Ω R <sub>S</sub>  | Internal series termination without calibration (50-Ω setting) | V <sub>CCIO</sub> = 1.8, 1.5 | ±30                  | ±40      | ±40      | %    |
| 50-Ω R <sub>S</sub>  | Internal series termination without calibration (50-Ω setting) | V <sub>CCIO</sub> = 1.2      | ±35                  | ±50      | ±50      | %    |
| 100-Ω R <sub>D</sub> | Internal differential termination (100-Ω setting)              | V <sub>CCIO</sub> = 2.5      | ±25                  | ±40      | ±40      | %    |

**Figure 2. Equation for OCT Variation Without Recalibration**

$$R_{OCT} = R_{SCAL} \left( 1 + \left\langle \frac{dR}{dT} \times \Delta T \right\rangle \pm \left\langle \frac{dR}{dV} \times \Delta V \right\rangle \right)$$

The definitions for the equation are as follows:

- The R<sub>OCT</sub> value calculated shows the range of OCT resistance with the variation of temperature and V<sub>CCIO</sub>.
- R<sub>SCAL</sub> is the OCT resistance value at power-up.
- ΔT is the variation of temperature with respect to the temperature at power up.

- $\Delta V$  is the variation of voltage with respect to the  $V_{CCIO}$  at power up.
- $dR/dT$  is the percentage change of  $R_{SCAL}$  with temperature.
- $dR/dV$  is the percentage change of  $R_{SCAL}$  with voltage.

### OCT Variation after Power-Up Calibration

**Table 11. OCT Variation after Power-Up Calibration for Cyclone V Devices**

This table lists OCT variation with temperature and voltage after power-up calibration. The OCT variation is valid for a  $V_{CCIO}$  range of  $\pm 5\%$  and a temperature range of  $0^{\circ}\text{C}$  to  $85^{\circ}\text{C}$ .

| Symbol | Description  | $V_{CCIO}$ (V) | Value | Unit |
|--------|--|----------------|-------|------|
| dR/dV  | OCT variation with voltage without recalibration     | 3.0            | 0.100 | %/mV |
|        |  | 2.5            | 0.100 |      |
|        |  | 1.8            | 0.100 |      |
|        |  | 1.5            | 0.100 |      |
|        |  | 1.35           | 0.150 |      |
|        |  | 1.25           | 0.150 |      |
|        |  | 1.2            | 0.150 |      |
| dR/dT  | OCT variation with temperature without recalibration | 3.0            | 0.189 | %/°C |
|        |  | 2.5            | 0.208 |      |
|        |  | 1.8            | 0.266 |      |
|        |  | 1.5            | 0.273 |      |
|        |  | 1.35           | 0.200 |      |
|        |  | 1.25           | 0.200 |      |
|        |  | 1.2            | 0.317 |      |

## Pin Capacitance

**Table 12. Pin Capacitance for Cyclone V Devices**

| Symbol             | Description  | Maximum | Unit |
|--------------------|--|---------|------|
| C <sub>IOTB</sub>  | Input capacitance on top and bottom I/O pins                     | 6       | pF   |
| C <sub>IOLR</sub>  | Input capacitance on left and right I/O pins                     | 6       | pF   |
| C <sub>OUTFB</sub> | Input capacitance on dual-purpose clock output and feedback pins | 6       | pF   |

## Hot Socketing

**Table 13. Hot Socketing Specifications for Cyclone V Devices**

| Symbol                    | Description                                     | Maximum           | Unit |
|---------------------------|---|-------------------|------|
| I <sub>IOPIN</sub> (DC)   | DC current per I/O pin                          | 300               | μA   |
| I <sub>IOPIN</sub> (AC)   | AC current per I/O pin                          | 8 <sup>(15)</sup> | mA   |
| I <sub>XCVR-TX</sub> (DC) | DC current per transceiver transmitter (TX) pin | 100               | mA   |
| I <sub>XCVR-RX</sub> (DC) | DC current per transceiver receiver (RX) pin    | 50                | mA   |

## Internal Weak Pull-Up Resistor

All I/O pins, except configuration, test, and JTAG pins, have an option to enable weak pull-up.

<sup>(15)</sup> The I/O ramp rate is 10 ns or more. For ramp rates faster than 10 ns,  $|I_{IOPIN}| = C \, dv/dt$ , in which C is the I/O pin capacitance and  $dv/dt$  is the slew rate.

**Table 14. Internal Weak Pull-Up Resistor Values for Cyclone V Devices**

| Symbol          | Description   | Condition (V) <sup>(16)</sup> | Value <sup>(17)</sup> | Unit |
|-----------------|---|-------------------------------|-----------------------|------|
| R <sub>PU</sub> | Value of the I/O pin pull-up resistor before and during configuration, as well as user mode if you have enabled the programmable pull-up resistor option. | V <sub>CCIO</sub> = 3.3 ±5%   | 25                    | kΩ   |
|                 |   | V <sub>CCIO</sub> = 3.0 ±5%   | 25                    | kΩ   |
|                 |   | V <sub>CCIO</sub> = 2.5 ±5%   | 25                    | kΩ   |
|                 |   | V <sub>CCIO</sub> = 1.8 ±5%   | 25                    | kΩ   |
|                 |   | V <sub>CCIO</sub> = 1.5 ±5%   | 25                    | kΩ   |
|                 |   | V <sub>CCIO</sub> = 1.35 ±5%  | 25                    | kΩ   |
|                 |   | V <sub>CCIO</sub> = 1.25 ±5%  | 25                    | kΩ   |
|                 |   | V <sub>CCIO</sub> = 1.2 ±5%   | 25                    | kΩ   |

**Related Information**

[Cyclone V Device Family Pin Connection Guidelines](#)

Provides more information about the pins that support internal weak pull-up and internal weak pull-down features.

**I/O Standard Specifications**

Tables in this section list the input voltage (V<sub>IH</sub> and V<sub>IL</sub>), output voltage (V<sub>OH</sub> and V<sub>OL</sub>), and current drive characteristics (I<sub>OH</sub> and I<sub>OL</sub>) for various I/O standards supported by Cyclone V devices.

You must perform timing closure analysis to determine the maximum achievable frequency for general purpose I/O standards.

<sup>(16)</sup> Pin pull-up resistance values may be lower if an external source drives the pin higher than V<sub>CCIO</sub>.

<sup>(17)</sup> Valid with ±10% tolerances to cover changes over PVT.

## Single-Ended I/O Standards

**Table 15. Single-Ended I/O Standards for Cyclone V Devices**

| I/O Standard | V <sub>CCIO</sub> (V) |     |       | V <sub>IL</sub> (V) |                          | V <sub>IH</sub> (V)      |                         | V <sub>OL</sub> (V)      | V <sub>OH</sub> (V)      | I <sub>OL</sub> <sup>(18)</sup> (mA) | I <sub>OH</sub> <sup>(18)</sup> (mA) |
|--------------|-----------------------|-----|-------|---------------------|--------------------------|--------------------------|-------------------------|--------------------------|--------------------------|--------------------------------------|--------------------------------------|
|              | Min                   | Typ | Max   | Min                 | Max                      | Min                      | Max                     | Max                      | Min                      |                                      |                                      |
| 3.3-V LVTTTL | 3.135                 | 3.3 | 3.465 | -0.3                | 0.8                      | 1.7                      | 3.6                     | 0.45                     | 2.4                      | 4                                    | -4                                   |
| 3.3-V LVCMOS | 3.135                 | 3.3 | 3.465 | -0.3                | 0.8                      | 1.7                      | 3.6                     | 0.2                      | V <sub>CCIO</sub> - 0.2  | 2                                    | -2                                   |
| 3.0-V LVTTTL | 2.85                  | 3   | 3.15  | -0.3                | 0.8                      | 1.7                      | 3.6                     | 0.4                      | 2.4                      | 2                                    | -2                                   |
| 3.0-V LVCMOS | 2.85                  | 3   | 3.15  | -0.3                | 0.8                      | 1.7                      | 3.6                     | 0.2                      | V <sub>CCIO</sub> - 0.2  | 0.1                                  | -0.1                                 |
| 3.0-V PCI*   | 2.85                  | 3   | 3.15  | —                   | 0.3 × V <sub>CCIO</sub>  | 0.5 × V <sub>CCIO</sub>  | V <sub>CCIO</sub> + 0.3 | 0.1 × V <sub>CCIO</sub>  | 0.9 × V <sub>CCIO</sub>  | 1.5                                  | -0.5                                 |
| 3.0-V PCI-X  | 2.85                  | 3   | 3.15  | —                   | 0.35 × V <sub>CCIO</sub> | 0.5 × V <sub>CCIO</sub>  | V <sub>CCIO</sub> + 0.3 | 0.1 × V <sub>CCIO</sub>  | 0.9 × V <sub>CCIO</sub>  | 1.5                                  | -0.5                                 |
| 2.5 V        | 2.375                 | 2.5 | 2.625 | -0.3                | 0.7                      | 1.7                      | 3.6                     | 0.4                      | 2                        | 1                                    | -1                                   |
| 1.8 V        | 1.71                  | 1.8 | 1.89  | -0.3                | 0.35 × V <sub>CCIO</sub> | 0.65 × V <sub>CCIO</sub> | V <sub>CCIO</sub> + 0.3 | 0.45                     | V <sub>CCIO</sub> - 0.45 | 2                                    | -2                                   |
| 1.5 V        | 1.425                 | 1.5 | 1.575 | -0.3                | 0.35 × V <sub>CCIO</sub> | 0.65 × V <sub>CCIO</sub> | V <sub>CCIO</sub> + 0.3 | 0.25 × V <sub>CCIO</sub> | 0.75 × V <sub>CCIO</sub> | 2                                    | -2                                   |
| 1.2 V        | 1.14                  | 1.2 | 1.26  | -0.3                | 0.35 × V <sub>CCIO</sub> | 0.65 × V <sub>CCIO</sub> | V <sub>CCIO</sub> + 0.3 | 0.25 × V <sub>CCIO</sub> | 0.75 × V <sub>CCIO</sub> | 2                                    | -2                                   |

## Single-Ended SSTL, HSTL, and HSUL I/O Reference Voltage Specifications

**Table 16. Single-Ended SSTL, HSTL, and HSUL I/O Reference Voltage Specifications for Cyclone V Devices**

| I/O Standard        | V <sub>CCIO</sub> (V) |     |       | V <sub>REF</sub> (V)     |                         |                          | V <sub>TT</sub> (V)     |                  |                         |
|---------------------|-----------------------|-----|-------|--------------------------|-------------------------|--------------------------|-------------------------|------------------|-------------------------|
|                     | Min                   | Typ | Max   | Min                      | Typ                     | Max                      | Min                     | Typ              | Max                     |
| SSTL-2 Class I, II  | 2.375                 | 2.5 | 2.625 | 0.49 × V <sub>CCIO</sub> | 0.5 × V <sub>CCIO</sub> | 0.51 × V <sub>CCIO</sub> | V <sub>REF</sub> - 0.04 | V <sub>REF</sub> | V <sub>REF</sub> + 0.04 |
| SSTL-18 Class I, II | 1.71                  | 1.8 | 1.89  | 0.833                    | 0.9                     | 0.969                    | V <sub>REF</sub> - 0.04 | V <sub>REF</sub> | V <sub>REF</sub> + 0.04 |

*continued...*

<sup>(18)</sup> To meet the I<sub>OL</sub> and I<sub>OH</sub> specifications, you must set the current strength settings accordingly. For example, to meet the 3.3-V LVTTTL specification (4 mA), you should set the current strength settings to 4 mA. Setting at lower current strength may not meet the I<sub>OL</sub> and I<sub>OH</sub> specifications in the datasheet.

| I/O Standard         | V <sub>CCIO</sub> (V) |      |       | V <sub>REF</sub> (V)     |                         |                          | V <sub>TT</sub> (V)      |                         |                          |
|----------------------|-----------------------|------|-------|--------------------------|-------------------------|--------------------------|--------------------------|-------------------------|--------------------------|
|                      | Min                   | Typ  | Max   | Min                      | Typ                     | Max                      | Min                      | Typ                     | Max                      |
| SSTL-15 Class I, II  | 1.425                 | 1.5  | 1.575 | 0.49 × V <sub>CCIO</sub> | 0.5 × V <sub>CCIO</sub> | 0.51 × V <sub>CCIO</sub> | 0.49 × V <sub>CCIO</sub> | 0.5 × V <sub>CCIO</sub> | 0.51 × V <sub>CCIO</sub> |
| SSTL-135 Class I, II | 1.283                 | 1.35 | 1.418 | 0.49 × V <sub>CCIO</sub> | 0.5 × V <sub>CCIO</sub> | 0.51 × V <sub>CCIO</sub> | 0.49 × V <sub>CCIO</sub> | 0.5 × V <sub>CCIO</sub> | 0.51 × V <sub>CCIO</sub> |
| SSTL-125 Class I, II | 1.19                  | 1.25 | 1.26  | 0.49 × V <sub>CCIO</sub> | 0.5 × V <sub>CCIO</sub> | 0.51 × V <sub>CCIO</sub> | 0.49 × V <sub>CCIO</sub> | 0.5 × V <sub>CCIO</sub> | 0.51 × V <sub>CCIO</sub> |
| HSTL-18 Class I, II  | 1.71                  | 1.8  | 1.89  | 0.85                     | 0.9                     | 0.95                     | —                        | V <sub>CCIO</sub> /2    | —                        |
| HSTL-15 Class I, II  | 1.425                 | 1.5  | 1.575 | 0.68                     | 0.75                    | 0.9                      | —                        | V <sub>CCIO</sub> /2    | —                        |
| HSTL-12 Class I, II  | 1.14                  | 1.2  | 1.26  | 0.47 × V <sub>CCIO</sub> | 0.5 × V <sub>CCIO</sub> | 0.53 × V <sub>CCIO</sub> | —                        | V <sub>CCIO</sub> /2    | —                        |
| HSUL-12              | 1.14                  | 1.2  | 1.3   | 0.49 × V <sub>CCIO</sub> | 0.5 × V <sub>CCIO</sub> | 0.51 × V <sub>CCIO</sub> | —                        | —                       | —                        |

### Single-Ended SSTL, HSTL, and HSUL I/O Standards Signal Specifications

**Table 17. Single-Ended SSTL, HSTL, and HSUL I/O Standards Signal Specifications for Cyclone V Devices**

| I/O Standard     | V <sub>IL(DC)</sub> (V) |                          | V <sub>IH(DC)</sub> (V)  |                         | V <sub>IL(AC)</sub> (V) | V <sub>IH(AC)</sub> (V) | V <sub>OL</sub> (V)     | V <sub>OH</sub> (V)      | I <sub>OL</sub> <sup>(19)</sup> (mA) | I <sub>OH</sub> <sup>(19)</sup> (mA) |
|------------------|-------------------------|--------------------------|--------------------------|-------------------------|-------------------------|-------------------------|-------------------------|--------------------------|--------------------------------------|--------------------------------------|
|                  | Min                     | Max                      | Min                      | Max                     | Max                     | Min                     | Max                     | Min                      |                                      |                                      |
| SSTL-2 Class I   | -0.3                    | V <sub>REF</sub> - 0.15  | V <sub>REF</sub> + 0.15  | V <sub>CCIO</sub> + 0.3 | V <sub>REF</sub> - 0.31 | V <sub>REF</sub> + 0.31 | V <sub>TT</sub> - 0.608 | V <sub>TT</sub> + 0.608  | 8.1                                  | -8.1                                 |
| SSTL-2 Class II  | -0.3                    | V <sub>REF</sub> - 0.15  | V <sub>REF</sub> + 0.15  | V <sub>CCIO</sub> + 0.3 | V <sub>REF</sub> - 0.31 | V <sub>REF</sub> + 0.31 | V <sub>TT</sub> - 0.81  | V <sub>TT</sub> + 0.81   | 16.2                                 | -16.2                                |
| SSTL-18 Class I  | -0.3                    | V <sub>REF</sub> - 0.125 | V <sub>REF</sub> + 0.125 | V <sub>CCIO</sub> + 0.3 | V <sub>REF</sub> - 0.25 | V <sub>REF</sub> + 0.25 | V <sub>TT</sub> - 0.603 | V <sub>TT</sub> + 0.603  | 6.7                                  | -6.7                                 |
| SSTL-18 Class II | -0.3                    | V <sub>REF</sub> - 0.125 | V <sub>REF</sub> + 0.125 | V <sub>CCIO</sub> + 0.3 | V <sub>REF</sub> - 0.25 | V <sub>REF</sub> + 0.25 | 0.28                    | V <sub>CCIO</sub> - 0.28 | 13.4                                 | -13.4                                |

*continued...*

<sup>(19)</sup> To meet the I<sub>OL</sub> and I<sub>OH</sub> specifications, you must set the current strength settings accordingly. For example, to meet the SSTL15CI specification (8 mA), you should set the current strength settings to 8 mA. Setting at lower current strength may not meet the I<sub>OL</sub> and I<sub>OH</sub> specifications in the datasheet.

| I/O Standard     | $V_{IL(DC)}$ (V) |                  | $V_{IH(DC)}$ (V) |                   | $V_{IL(AC)}$ (V)  | $V_{IH(AC)}$ (V)  | $V_{OL}$ (V)           | $V_{OH}$ (V)           | $I_{OL}^{(19)}$ (mA) | $I_{OH}^{(19)}$ (mA) |
|------------------|------------------|------------------|------------------|-------------------|-------------------|-------------------|------------------------|------------------------|----------------------|----------------------|
|                  | Min              | Max              | Min              | Max               | Max               | Min               | Max                    | Min                    |                      |                      |
| SSTL-15 Class I  | —                | $V_{REF} - 0.1$  | $V_{REF} + 0.1$  | —                 | $V_{REF} - 0.175$ | $V_{REF} + 0.175$ | $0.2 \times V_{CCIO}$  | $0.8 \times V_{CCIO}$  | 8                    | -8                   |
| SSTL-15 Class II | —                | $V_{REF} - 0.1$  | $V_{REF} + 0.1$  | —                 | $V_{REF} - 0.175$ | $V_{REF} + 0.175$ | $0.2 \times V_{CCIO}$  | $0.8 \times V_{CCIO}$  | 16                   | -16                  |
| SSTL-135         | —                | $V_{REF} - 0.09$ | $V_{REF} + 0.09$ | —                 | $V_{REF} - 0.16$  | $V_{REF} + 0.16$  | $0.2 \times V_{CCIO}$  | $0.8 \times V_{CCIO}$  | —                    | —                    |
| SSTL-125         | —                | $V_{REF} - 0.85$ | $V_{REF} + 0.85$ | —                 | $V_{REF} - 0.15$  | $V_{REF} + 0.15$  | $0.2 \times V_{CCIO}$  | $0.8 \times V_{CCIO}$  | —                    | —                    |
| HSTL-18 Class I  | —                | $V_{REF} - 0.1$  | $V_{REF} + 0.1$  | —                 | $V_{REF} - 0.2$   | $V_{REF} + 0.2$   | 0.4                    | $V_{CCIO} - 0.4$       | 8                    | -8                   |
| HSTL-18 Class II | —                | $V_{REF} - 0.1$  | $V_{REF} + 0.1$  | —                 | $V_{REF} - 0.2$   | $V_{REF} + 0.2$   | 0.4                    | $V_{CCIO} - 0.4$       | 16                   | -16                  |
| HSTL-15 Class I  | —                | $V_{REF} - 0.1$  | $V_{REF} + 0.1$  | —                 | $V_{REF} - 0.2$   | $V_{REF} + 0.2$   | 0.4                    | $V_{CCIO} - 0.4$       | 8                    | -8                   |
| HSTL-15 Class II | —                | $V_{REF} - 0.1$  | $V_{REF} + 0.1$  | —                 | $V_{REF} - 0.2$   | $V_{REF} + 0.2$   | 0.4                    | $V_{CCIO} - 0.4$       | 16                   | -16                  |
| HSTL-12 Class I  | -0.15            | $V_{REF} - 0.08$ | $V_{REF} + 0.08$ | $V_{CCIO} + 0.15$ | $V_{REF} - 0.15$  | $V_{REF} + 0.15$  | $0.25 \times V_{CCIO}$ | $0.75 \times V_{CCIO}$ | 8                    | -8                   |
| HSTL-12 Class II | -0.15            | $V_{REF} - 0.08$ | $V_{REF} + 0.08$ | $V_{CCIO} + 0.15$ | $V_{REF} - 0.15$  | $V_{REF} + 0.15$  | $0.25 \times V_{CCIO}$ | $0.75 \times V_{CCIO}$ | 16                   | -16                  |
| HSUL-12          | —                | $V_{REF} - 0.13$ | $V_{REF} + 0.13$ | —                 | $V_{REF} - 0.22$  | $V_{REF} + 0.22$  | $0.1 \times V_{CCIO}$  | $0.9 \times V_{CCIO}$  | —                    | —                    |

<sup>(19)</sup> To meet the  $I_{OL}$  and  $I_{OH}$  specifications, you must set the current strength settings accordingly. For example, to meet the SSTL15CI specification (8 mA), you should set the current strength settings to 8 mA. Setting at lower current strength may not meet the  $I_{OL}$  and  $I_{OH}$  specifications in the datasheet.

## Differential SSTL I/O Standards

**Table 18. Differential SSTL I/O Standards for Cyclone V Devices**

| I/O Standard        | V <sub>CCIO</sub> (V) |      |       | V <sub>SWING(DC)</sub> (V) |                         | V <sub>X(AC)</sub> (V)       |                      |                              | V <sub>SWING(AC)</sub> (V)                 |  |
|---------------------|-----------------------|------|-------|----------------------------|-------------------------|------------------------------|----------------------|------------------------------|--|--|
|                     | Min                   | Typ  | Max   | Min                        | Max                     | Min                          | Typ                  | Max                          | Min  | Max  |
| SSTL-2 Class I, II  | 2.375                 | 2.5  | 2.625 | 0.3                        | V <sub>CCIO</sub> + 0.6 | V <sub>CCIO</sub> /2 - 0.2   | —                    | V <sub>CCIO</sub> /2 + 0.2   | 0.62                                       | V <sub>CCIO</sub> + 0.6                    |
| SSTL-18 Class I, II | 1.71                  | 1.8  | 1.89  | 0.25                       | V <sub>CCIO</sub> + 0.6 | V <sub>CCIO</sub> /2 - 0.175 | —                    | V <sub>CCIO</sub> /2 + 0.175 | 0.5  | V <sub>CCIO</sub> + 0.6                    |
| SSTL-15 Class I, II | 1.425                 | 1.5  | 1.575 | 0.2                        | <sup>(20)</sup>         | V <sub>CCIO</sub> /2 - 0.15  | —                    | V <sub>CCIO</sub> /2 + 0.15  | 2(V <sub>IH(AC)</sub> - V <sub>REF</sub> ) | 2(V <sub>IL(AC)</sub> - V <sub>REF</sub> ) |
| SSTL-135            | 1.283                 | 1.35 | 1.45  | 0.18                       | <sup>(20)</sup>         | V <sub>CCIO</sub> /2 - 0.15  | V <sub>CCIO</sub> /2 | V <sub>CCIO</sub> /2 + 0.15  | 2(V <sub>IH(AC)</sub> - V <sub>REF</sub> ) | 2(V <sub>IL(AC)</sub> - V <sub>REF</sub> ) |
| SSTL-125            | 1.19                  | 1.25 | 1.31  | 0.18                       | <sup>(20)</sup>         | V <sub>CCIO</sub> /2 - 0.15  | V <sub>CCIO</sub> /2 | V <sub>CCIO</sub> /2 + 0.15  | 2(V <sub>IH(AC)</sub> - V <sub>REF</sub> ) | 2(V <sub>IL(AC)</sub> - V <sub>REF</sub> ) |

## Differential HSTL and HSUL I/O Standards

**Table 19. Differential HSTL and HSUL I/O Standards for Cyclone V Devices**

| I/O Standard        | V <sub>CCIO</sub> (V) |     |       | V <sub>DIF(DC)</sub> (V) |                         | V <sub>X(AC)</sub> (V)         |                         |                                | V <sub>CM(DC)</sub> (V) |                         |                         | V <sub>DIF(AC)</sub> (V) |                          |
|---------------------|-----------------------|-----|-------|--------------------------|-------------------------|--------------------------------|-------------------------|--------------------------------|-------------------------|-------------------------|-------------------------|--------------------------|--------------------------|
|                     | Min                   | Typ | Max   | Min                      | Max                     | Min                            | Typ                     | Max                            | Min                     | Typ                     | Max                     | Min                      | Max                      |
| HSTL-18 Class I, II | 1.71                  | 1.8 | 1.89  | 0.2                      | —                       | 0.78                           | —                       | 1.12                           | 0.78                    | —                       | 1.12                    | 0.4                      | —                        |
| HSTL-15 Class I, II | 1.425                 | 1.5 | 1.575 | 0.2                      | —                       | 0.68                           | —                       | 0.9                            | 0.68                    | —                       | 0.9                     | 0.4                      | —                        |
| HSTL-12 Class I, II | 1.14                  | 1.2 | 1.26  | 0.16                     | V <sub>CCIO</sub> + 0.3 | —                              | 0.5 × V <sub>CCIO</sub> | —                              | 0.4 × V <sub>CCIO</sub> | 0.5 × V <sub>CCIO</sub> | 0.6 × V <sub>CCIO</sub> | 0.3                      | V <sub>CCIO</sub> + 0.48 |
| HSUL-12             | 1.14                  | 1.2 | 1.3   | 0.26                     | 0.26                    | 0.5 × V <sub>CCIO</sub> - 0.12 | 0.5 × V <sub>CCIO</sub> | 0.5 × V <sub>CCIO</sub> + 0.12 | 0.4 × V <sub>CCIO</sub> | 0.5 × V <sub>CCIO</sub> | 0.6 × V <sub>CCIO</sub> | 0.44                     | 0.44                     |

<sup>(20)</sup> The maximum value for V<sub>SWING(DC)</sub> is not defined. However, each single-ended signal needs to be within the respective single-ended limits (V<sub>IH(DC)</sub> and V<sub>IL(DC)</sub>).

## Differential I/O Standard Specifications

**Table 20. Differential I/O Standard Specifications for Cyclone V Devices**

Differential inputs are powered by  $V_{CCPD}$  which requires 2.5 V.

| I/O Standard               | $V_{CCIO}$ (V)  |     |       | $V_{ID}$ (mV) <sup>(21)</sup> |                      |     | $V_{ICM(DC)}$ (V) |                            |       | $V_{OD}$ (V) <sup>(22)</sup> |     |     | $V_{OCM}$ (V) <sup>(22)(23)</sup> |      |       |
|----------------------------|---|-----|-------|-------------------------------|----------------------|-----|-------------------|----------------------------|-------|------------------------------|-----|-----|-----------------------------------|------|-------|
|                            | Min   | Typ | Max   | Min                           | Condition            | Max | Min               | Condition                  | Max   | Min                          | Typ | Max | Min                               | Typ  | Max   |
| PCML                       | Transmitter, receiver, and input reference clock pins of high-speed transceivers use the PCML I/O standard. For transmitter, receiver, and reference clock I/O pin specifications, refer to <i>Transceiver Specifications for Cyclone V GX, GT, SX, and ST Devices</i> table. |     |       |                               |                      |     |                   |                            |       |                              |     |     |                                   |      |       |
| 2.5 V LVDS <sup>(24)</sup> | 2.375   | 2.5 | 2.625 | 100                           | $V_{CM} = 1.25$<br>V | —   | 0.05              | $D_{MAX} \leq 700$<br>Mbps | 1.80  | 0.247                        | —   | 0.6 | 1.125                             | 1.25 | 1.375 |
|                            |   |     |       |                               |                      |     | 1.05              | $D_{MAX} > 700$<br>Mbps    | 1.55  |                              |     |     |                                   |      |       |
| BLVDS <sup>(25)(26)</sup>  | 2.375   | 2.5 | 2.625 | 100                           | —                    | —   | —                 | —                          | —     | —                            | —   | —   | —                                 | —    | —     |
| RSDS (HIO) <sup>(27)</sup> | 2.375   | 2.5 | 2.625 | 100                           | $V_{CM} = 1.25$<br>V | —   | 0.25              | —                          | 1.45  | 0.1                          | 0.2 | 0.6 | 0.5                               | 1.2  | 1.4   |
| Mini-LVDS (HIO)<br>(28)    | 2.375   | 2.5 | 2.625 | 200                           | —                    | 600 | 0.300             | —                          | 1.425 | 0.25                         | —   | 0.6 | 1                                 | 1.2  | 1.4   |
| <i>continued...</i>        |   |     |       |                               |                      |     |                   |                            |       |                              |     |     |                                   |      |       |

(21) The minimum  $V_{ID}$  value is applicable over the entire common mode range,  $V_{CM}$ .

(22)  $R_L$  range:  $90 \leq R_L \leq 110 \Omega$ .

(23) This applies to default pre-emphasis setting only.

(24) For optimized LVDS receiver performance, the receiver voltage input range must be within 1.0 V to 1.6 V for data rate above 700 Mbps and 0.00 V to 1.85 V for data rate below 700 Mbps.

(25) There are no fixed  $V_{ICM}$ ,  $V_{OD}$ , and  $V_{OCM}$  specifications for BLVDS. They depend on the system topology.

(26) For more information about BLVDS interface support in Intel devices, refer to *AN522: Implementing Bus LVDS Interface in Supported Intel Device Families*.

(27) For optimized RSDS receiver performance, the receiver voltage input range must be within 0.25 V to 1.45 V.

(28) For optimized mini-LVDS receiver performance, the receiver voltage input range must be within 0.300 V to 1.425 V.

| I/O Standard           | V <sub>CCIO</sub> (V) |     |       | V <sub>ID</sub> (mV) <sup>(21)</sup> |                          |     | V <sub>ICM(DC)</sub> (V) |                             |      | V <sub>OD</sub> (V) <sup>(22)</sup> |     |     | V <sub>OCM</sub> (V) <sup>(22)(23)</sup> |     |     |
|------------------------|-----------------------|-----|-------|--------------------------------------|--------------------------|-----|--------------------------|-----------------------------|------|-------------------------------------|-----|-----|--|-----|-----|
|                        | Min                   | Typ | Max   | Min                                  | Condition                | Max | Min                      | Condition                   | Max  | Min                                 | Typ | Max | Min                                      | Typ | Max |
| LVPECL <sup>(29)</sup> | —                     | —   | —     | 300                                  | —                        | —   | 0.60                     | D <sub>MAX</sub> ≤ 700 Mbps | 1.80 | —                                   | —   | —   | —  | —   | —   |
|                        |                       |     |       |                                      |                          |     | 1.00                     | D <sub>MAX</sub> > 700 Mbps | 1.60 |                                     |     |     |  |     |     |
| SLVS                   | 2.375                 | 2.5 | 2.625 | 100                                  | V <sub>CM</sub> = 1.25 V | —   | 0.05                     | —                           | 1.80 | —                                   | —   | —   | —  | —   | —   |
| Sub-LVDS               | 2.375                 | 2.5 | 2.625 | 100                                  | V <sub>CM</sub> = 1.25 V | —   | 0.05                     | —                           | 1.80 | —                                   | —   | —   | —  | —   | —   |
| HiSpi                  | 2.375                 | 2.5 | 2.625 | 100                                  | V <sub>CM</sub> = 1.25 V | —   | 0.05                     | —                           | 1.80 | —                                   | —   | —   | —  | —   | —   |

### Related Information

- [AN522: Implementing Bus LVDS Interface in Supported Intel Device Families](#)  
Provides more information about BLVDS interface support in Intel devices.
- [Transceiver Specifications for Cyclone V GX, GT, SX, and ST Devices](#) on page 25  
Provides the specifications for transmitter, receiver, and reference clock I/O pin.

## Switching Characteristics

This section provides performance characteristics of Cyclone V core and periphery blocks.

<sup>(21)</sup> The minimum V<sub>ID</sub> value is applicable over the entire common mode range, V<sub>CM</sub>.

<sup>(22)</sup> R<sub>L</sub> range: 90 ≤ R<sub>L</sub> ≤ 110 Ω.

<sup>(23)</sup> This applies to default pre-emphasis setting only.

<sup>(29)</sup> For optimized LVPECL receiver performance, the receiver voltage input range must be within 0.85 V to 1.75 V for data rate above 700 Mbps and 0.45 V to 1.95 V for data rate below 700 Mbps.

## Transceiver Performance Specifications

### Transceiver Specifications for Cyclone V GX, GT, SX, and ST Devices

**Table 21. Reference Clock Specifications for Cyclone V GX, GT, SX, and ST Devices**

| Symbol/Description                                     | Condition   | Transceiver Speed Grade 5 <sup>(30)</sup> |             |      | Transceiver Speed Grade 6 |             |      | Transceiver Speed Grade 7 |             |      | Unit |
|--|---|---|-------------|------|---------------------------|-------------|------|---------------------------|-------------|------|------|
|  |   | Min                                       | Typ         | Max  | Min                       | Typ         | Max  | Min                       | Typ         | Max  |      |
| Supported I/O standards                                | 1.2 V PCML, 1.5 V PCML, 2.5 V PCML, Differential LVPECL <sup>(31)</sup> , HCSSL, and LVDS |   |             |      |                           |             |      |                           |             |      |      |
| Input frequency from REFCLK input pins <sup>(32)</sup> | —   | 27  | —           | 550  | 27                        | —           | 550  | 27                        | —           | 550  | MHz  |
| Rise time  | Measure at ±60 mV of differential signal <sup>(33)</sup>                                  | —   | —           | 400  | —                         | —           | 400  | —                         | —           | 400  | ps   |
| Fall time  | Measure at ±60 mV of differential signal <sup>(33)</sup>                                  | —   | —           | 400  | —                         | —           | 400  | —                         | —           | 400  | ps   |
| Duty cycle   | —   | 45  | —           | 55   | 45                        | —           | 55   | 45                        | —           | 55   | %    |
| Peak-to-peak differential input voltage                | —   | 200                                       | —           | 2000 | 200                       | —           | 2000 | 200                       | —           | 2000 | mV   |
| Spread-spectrum modulating clock frequency             | PCIe  | 30  | —           | 33   | 30                        | —           | 33   | 30                        | —           | 33   | kHz  |
| Spread-spectrum downspread                             | PCIe  | —   | 0 to – 0.5% | —    | —                         | 0 to – 0.5% | —    | —                         | 0 to – 0.5% | —    | —    |
| On-chip termination resistors                          | —   | —   | 100         | —    | —                         | 100         | —    | —                         | 100         | —    | Ω    |

*continued...*

- (30) Transceiver Speed Grade 5 covers specifications for Cyclone V GT and ST devices.
- (31) Differential LVPECL signal levels must comply to the minimum and maximum peak-to-peak differential input voltage specified in this table.
- (32) The reference clock frequency must be  $\geq 307.2$  MHz to be fully compliance to CPRI transmit jitter specification at 6.144 Gbps. For more information about CPRI 6.144 Gbps, refer to the *Transceiver Protocol Configurations in Cyclone V Devices* chapter.
- (33) REFCLK performance requires to meet transmitter REFCLK phase noise specification.

| Symbol/Description                             | Condition                                       | Transceiver Speed Grade 5 <sup>(30)</sup>         |          |      | Transceiver Speed Grade 6     |          |      | Transceiver Speed Grade 7     |          |      | Unit   |
|--|---|---|----------|------|-------------------------------|----------|------|-------------------------------|----------|------|--------|
|  |   | Min   | Typ      | Max  | Min                           | Typ      | Max  | Min                           | Typ      | Max  |        |
| V <sub>ICM</sub> (AC coupled)                  | —   | V <sub>CCCE_GXBL</sub> supply <sup>(34)(35)</sup> |          |      | V <sub>CCCE_GXBL</sub> supply |          |      | V <sub>CCCE_GXBL</sub> supply |          |      | V      |
| V <sub>ICM</sub> (DC coupled)                  | HCSSL I/O standard for the PCIe reference clock | 250   | —        | 550  | 250                           | —        | 550  | 250                           | —        | 550  | mV     |
| Transmitter REFCLK phase noise <sup>(36)</sup> | 10 Hz   | —   | —        | -50  | —                             | —        | -50  | —                             | —        | -50  | dBc/Hz |
|  | 100 Hz  | —   | —        | -80  | —                             | —        | -80  | —                             | —        | -80  | dBc/Hz |
|  | 1 KHz   | —   | —        | -110 | —                             | —        | -110 | —                             | —        | -110 | dBc/Hz |
|  | 10 KHz  | —   | —        | -120 | —                             | —        | -120 | —                             | —        | -120 | dBc/Hz |
|  | 100 KHz   | —   | —        | -120 | —                             | —        | -120 | —                             | —        | -120 | dBc/Hz |
|  | ≥1 MHz  | —   | —        | -130 | —                             | —        | -130 | —                             | —        | -130 | dBc/Hz |
| R <sub>REF</sub>                               | —   | —   | 2000 ±1% | —    | —                             | 2000 ±1% | —    | —                             | 2000 ±1% | —    | Ω      |

<sup>(30)</sup> Transceiver Speed Grade 5 covers specifications for Cyclone V GT and ST devices.

<sup>(34)</sup> Intel recommends increasing the V<sub>CCCE\_GXBL</sub> and V<sub>CCL\_GXBL</sub> typical value from 1.1 V to 1.2 V for Cyclone V GT and ST FPGA systems which require full compliance to the PCIe Gen2 transmit jitter specification. For more information about the maximum full duplex channels recommended in Cyclone V GT and ST devices under this condition, refer to the *Transceiver Protocol Configurations in Cyclone V Devices* chapter.

<sup>(35)</sup> Intel recommends increasing the V<sub>CCCE\_GXBL</sub> and V<sub>CCL\_GXBL</sub> typical value from 1.1 V to 1.2 V for full compliance to CPRI transmit jitter specification at 4.9152 Gbps (Cyclone V GT and ST devices) and 6.144 Gbps (Cyclone V GT and ST devices only). For more information about the maximum full duplex channels recommended in Cyclone V GT and ST devices for CPRI 6.144 Gbps, refer to the *Transceiver Protocol Configurations in Cyclone V Devices* chapter.

<sup>(36)</sup> The transmitter REFCLK phase jitter is 30 ps p-p at bit error rate (BER) 10<sup>-12</sup>.

**Table 22. Transceiver Clocks Specifications for Cyclone V GX, GT, SX, and ST Devices**

| Symbol/Description   | Condition            | Transceiver Speed Grade 5 <sup>(30)</sup> |     |                         | Transceiver Speed Grade 6 |     |                         | Transceiver Speed Grade 7 |     |                         | Unit |
|--|----------------------|---|-----|-------------------------|---------------------------|-----|-------------------------|---------------------------|-----|-------------------------|------|
|  |                      | Min                                       | Typ | Max                     | Min                       | Typ | Max                     | Min                       | Typ | Max                     |      |
| fixedclk clock frequency   | PCIe Receiver Detect | —   | 125 | —                       | —                         | 125 | —                       | —                         | 125 | —                       | MHz  |
| Transceiver Reconfiguration Controller IP (mgmt_clk_clk) clock frequency | —                    | 75  | —   | 100/125 <sup>(37)</sup> | 75                        | —   | 100/125 <sup>(37)</sup> | 75                        | —   | 100/125 <sup>(37)</sup> | MHz  |

**Table 23. Receiver Specifications for Cyclone V GX, GT, SX, and ST Devices**

| Symbol/Description   | Condition                                | Transceiver Speed Grade 5 <sup>(30)</sup> |     |                           | Transceiver Speed Grade 6 |     |      | Transceiver Speed Grade 7 |     |      | Unit |
|--|--|---|-----|---------------------------|---------------------------|-----|------|---------------------------|-----|------|------|
|  |  | Min                                       | Typ | Max                       | Min                       | Typ | Max  | Min                       | Typ | Max  |      |
| Supported I/O standards  | 1.5 V PCML, 2.5 V PCML, LVPECL, and LVDS |   |     |                           |                           |     |      |                           |     |      |      |
| Data rate <sup>(38)</sup>  | —  | 614                                       | —   | 5000/6144 <sup>(35)</sup> | 614                       | —   | 3125 | 614                       | —   | 2500 | Mbps |
| Absolute V <sub>MAX</sub> for a receiver pin <sup>(39)</sup>   | —  | —   | —   | 1.2                       | —                         | —   | 1.2  | —                         | —   | 1.2  | V    |
| Absolute V <sub>MIN</sub> for a receiver pin   | —  | -0.4                                      | —   | —                         | -0.4                      | —   | —    | -0.4                      | —   | —    | V    |
| Maximum peak-to-peak differential input voltage V <sub>ID</sub> (diff p-p) before device configuration | —  | —   | —   | 1.6                       | —                         | —   | 1.6  | —                         | —   | 1.6  | V    |
| Maximum peak-to-peak differential input voltage V <sub>ID</sub> (diff p-p) after device configuration  | —  | —   | —   | 2.2                       | —                         | —   | 2.2  | —                         | —   | 2.2  | V    |

*continued...*

- <sup>(37)</sup> The maximum supported clock frequency is 100 MHz if the PCIe hard IP block is enabled or 125 MHz if the PCIe hard IP block is not enabled.
- <sup>(38)</sup> To support data rates lower than the minimum specification through oversampling, use the CDR in LTR mode only.
- <sup>(39)</sup> The device cannot tolerate prolonged operation at this absolute maximum.

| Symbol/Description   | Condition                    | Transceiver Speed Grade 5 <sup>(30)</sup>        |     |     | Transceiver Speed Grade 6    |     |     | Transceiver Speed Grade 7    |     |     | Unit |
|--|------------------------------|--|-----|-----|------------------------------|-----|-----|------------------------------|-----|-----|------|
|  |                              | Min  | Typ | Max | Min                          | Typ | Max | Min                          | Typ | Max |      |
| Minimum differential eye opening at the receiver serial input pins <sup>(40)</sup> | —                            | 110  | —   | —   | 110                          | —   | —   | 110                          | —   | —   | mV   |
| Differential on-chip termination resistors   | 85-Ω setting                 | —  | 85  | —   | —                            | 85  | —   | —                            | 85  | —   | Ω    |
|  | 100-Ω setting                | —  | 100 | —   | —                            | 100 | —   | —                            | 100 | —   | Ω    |
|  | 120-Ω setting                | —  | 120 | —   | —                            | 120 | —   | —                            | 120 | —   | Ω    |
|  | 150-Ω setting                | —  | 150 | —   | —                            | 150 | —   | —                            | 150 | —   | Ω    |
| V <sub>ICM</sub> (AC coupled)  | 2.5 V PCML, LVPECL, and LVDS | V <sub>CCE_GXBL</sub> supply <sup>(34)(35)</sup> |     |     | V <sub>CCE_GXBL</sub> supply |     |     | V <sub>CCE_GXBL</sub> supply |     |     | V    |
|  | 1.5 V PCML                   | 0.65/0.75/0.8 <sup>(41)</sup>                    |     |     |                              |     |     |                              |     |     | V    |
| t <sub>LTR</sub> <sup>(42)</sup>   | —                            | —  | —   | 10  | —                            | —   | 10  | —                            | —   | 10  | μs   |
| t <sub>LTD</sub> <sup>(43)</sup>   | —                            | —  | —   | 4   | —                            | —   | 4   | —                            | —   | 4   | μs   |
| t <sub>LTD_manual</sub> <sup>(44)</sup>  | —                            | —  | —   | 4   | —                            | —   | 4   | —                            | —   | 4   | μs   |
| t <sub>LTR_LTD_manual</sub> <sup>(45)</sup>  | —                            | 15   | —   | —   | 15                           | —   | —   | 15                           | —   | —   | μs   |

*continued...*

- <sup>(40)</sup> The differential eye opening specification at the receiver input pins assumes that you have disabled the Receiver Equalization feature. If you enable the Receiver Equalization feature, the receiver circuitry can tolerate a lower minimum eye opening, depending on the equalization level.
- <sup>(41)</sup> The AC coupled V<sub>ICM</sub> = 650 mV for Cyclone V GX and SX in PCIe mode only. The AC coupled V<sub>ICM</sub> = 750mV for Cyclone V GT and ST in PCIe mode only.
- <sup>(42)</sup> t<sub>LTR</sub> is the time required for the receive clock data recovery (CDR) to lock to the input reference clock frequency after coming out of reset.
- <sup>(43)</sup> t<sub>LTD</sub> is time required for the receiver CDR to start recovering valid data after the rx\_is\_lockedto data signal goes high.
- <sup>(44)</sup> t<sub>LTD\_manual</sub> is the time required for the receiver CDR to start recovering valid data after the rx\_is\_lockedto data signal goes high when the CDR is functioning in the manual mode.

| Symbol/Description                        | Condition  | Transceiver Speed Grade 5 <sup>(30)</sup>   |     |     | Transceiver Speed Grade 6 |     |     | Transceiver Speed Grade 7 |     |     | Unit |
|---|--|---|-----|-----|---------------------------|-----|-----|---------------------------|-----|-----|------|
|   |  | Min   | Typ | Max | Min                       | Typ | Max | Min                       | Typ | Max |      |
| Programmable ppm detector <sup>(46)</sup> | —  | ±62.5, 100, 125, 200, 250, 300, 500, and 1000   |     |     |                           |     |     |                           |     |     | ppm  |
| Run length                                | —  | —   | —   | 200 | —                         | —   | 200 | —                         | —   | 200 | UI   |
| Programmable equalization AC and DC gain  | AC gain setting = 0 to 3 <sup>(47)</sup><br>DC gain setting = 0 to 1 | Refer to <i>CTLE Response at Data Rates &gt; 3.25 Gbps across Supported AC Gain and DC Gain for Cyclone V GX, GT, SX, and ST Devices</i> and <i>CTLE Response at Data Rates ≤ 3.25 Gbps across Supported AC Gain and DC Gain for Cyclone V GX, GT, SX, and ST Devices</i> diagrams. |     |     |                           |     |     |                           |     |     | dB   |

**Table 24. Transmitter Specifications for Cyclone V GX, GT, SX, and ST Devices**

| Symbol/Description                         | Condition     | Transceiver Speed Grade 5 <sup>(30)</sup> |     |                           | Transceiver Speed Grade 6 |     |      | Transceiver Speed Grade 7 |     |      | Unit |
|--|---------------|---|-----|---------------------------|---------------------------|-----|------|---------------------------|-----|------|------|
|  |               | Min                                       | Typ | Max                       | Min                       | Typ | Max  | Min                       | Typ | Max  |      |
| Supported I/O standards                    |               | 1.5 V PCML                                |     |                           |                           |     |      |                           |     |      |      |
| Data rate                                  | —             | 614                                       | —   | 5000/6144 <sup>(35)</sup> | 614                       | —   | 3125 | 614                       | —   | 2500 | Mbps |
| V <sub>OCM</sub> (AC coupled)              | —             | —   | 650 | —                         | —                         | 650 | —    | —                         | 650 | —    | mV   |
| Differential on-chip termination resistors | 85-Ω setting  | —   | 85  | —                         | —                         | 85  | —    | —                         | 85  | —    | Ω    |
|  | 100-Ω setting | —   | 100 | —                         | —                         | 100 | —    | —                         | 100 | —    | Ω    |
|  | 120-Ω setting | —   | 120 | —                         | —                         | 120 | —    | —                         | 120 | —    | Ω    |
|  | 150-Ω setting | —   | 150 | —                         | —                         | 150 | —    | —                         | 150 | —    | Ω    |

*continued...*

- (45)  $t_{LTR\_LTD\_manual}$  is the time the receiver CDR must be kept in lock to reference (LTR) mode after the rx\_is\_lockedto\_ref signal goes high when the CDR is functioning in the manual mode.
- (46) The rate matcher supports only up to ±300 parts per million (ppm).
- (47) The Intel Quartus Prime software allows AC gain setting = 3 for design with data rate between 614 Mbps and 1.25 Gbps only.

| Symbol/Description  | Condition                                   | Transceiver Speed Grade 5 <sup>(30)</sup> |     |     | Transceiver Speed Grade 6 |     |     | Transceiver Speed Grade 7 |     |     | Unit |
|---|---|---|-----|-----|---------------------------|-----|-----|---------------------------|-----|-----|------|
|   |   | Min                                       | Typ | Max | Min                       | Typ | Max | Min                       | Typ | Max |      |
| Intra-differential pair skew                                | TX $V_{CM} = 0.65$ V and slew rate of 15 ps | —   | —   | 15  | —                         | —   | 15  | —                         | —   | 15  | ps   |
| Intra-transceiver block transmitter channel-to-channel skew | ×6 PMA bonded mode                          | —   | —   | 180 | —                         | —   | 180 | —                         | —   | 180 | ps   |
| Inter-transceiver block transmitter channel-to-channel skew | ×N PMA bonded mode                          | —   | —   | 500 | —                         | —   | 500 | —                         | —   | 500 | ps   |

**Table 25. CMU PLL Specifications for Cyclone V GX, GT, SX, and ST Devices**

| Symbol/Description        | Condition | Transceiver Speed Grade 5 <sup>(30)</sup> |     |                           | Transceiver Speed Grade 6 |     |      | Transceiver Speed Grade 7 |     |      | Unit |
|---------------------------|-----------|---|-----|---------------------------|---------------------------|-----|------|---------------------------|-----|------|------|
|                           |           | Min                                       | Typ | Max                       | Min                       | Typ | Max  | Min                       | Typ | Max  |      |
| Supported data range      | —         | 614                                       | —   | 5000/6144 <sup>(35)</sup> | 614                       | —   | 3125 | 614                       | —   | 2500 | Mbps |
| fPLL supported data range | —         | 614                                       | —   | 3125                      | 614                       | —   | 3125 | 614                       | —   | 2500 | Mbps |

**Table 26. Transceiver-FPGA Fabric Interface Specifications for Cyclone V GX, GT, SX, and ST Devices**

| Symbol/Description                  | Condition | Transceiver Speed Grade 5 <sup>(30)</sup> |     |        | Transceiver Speed Grade 6 |     |        | Transceiver Speed Grade 7 |     |        | Unit |
|-------------------------------------|-----------|---|-----|--------|---------------------------|-----|--------|---------------------------|-----|--------|------|
|                                     |           | Min                                       | Typ | Max    | Min                       | Typ | Max    | Min                       | Typ | Max    |      |
| Interface speed (single-width mode) | —         | 25  | —   | 187.5  | 25                        | —   | 187.5  | 25                        | —   | 163.84 | MHz  |
| Interface speed (double-width mode) | —         | 25  | —   | 163.84 | 25                        | —   | 163.84 | 25                        | —   | 156.25 | MHz  |

**Related Information**

- [CTLE Response at Data Rates > 3.25 Gbps across Supported AC Gain and DC Gain](#) on page 32
- [CTLE Response at Data Rates ≤ 3.25 Gbps across Supported AC Gain and DC Gain](#) on page 33
- [PCIe Supported Configurations and Placement Guidelines](#)  
Provides more information about the maximum full duplex channels recommended in Cyclone V GT and ST devices which require full compliance to the PCIe Gen2 transmit jitter specification.

- [6.144-Gbps Support Capability in Cyclone V GT Devices](#)  
Provides more information about the maximum full duplex channels recommended in Cyclone V GT and ST devices for CPRI 6.144 Gbps.

### CTLE Response at Data Rates > 3.25 Gbps across Supported AC Gain and DC Gain

**Figure 3. Continuous Time-Linear Equalizer (CTLE) Response at Data Rates > 3.25 Gbps across Supported AC Gain and DC Gain for Cyclone V GX, GT, SX, and ST Devices**



### CTLE Response at Data Rates $\leq 3.25$ Gbps across Supported AC Gain and DC Gain

Figure 4. CTLE Response at Data Rates  $\leq 3.25$  Gbps across Supported AC Gain and DC Gain for Cyclone V GX, GT, SX, and ST Devices



### Typical TX $V_{OD}$ Setting for Cyclone V Transceiver Channels with termination of 100 $\Omega$

**Table 27. Typical TX  $V_{OD}$  Setting for Cyclone V Transceiver Channels with termination of 100  $\Omega$**

| Symbol                                     | $V_{OD}$ Setting <sup>(48)</sup> | $V_{OD}$ Value (mV) | $V_{OD}$ Setting <sup>(48)</sup> | $V_{OD}$ Value (mV) |
|--|----------------------------------|---------------------|----------------------------------|---------------------|
| $V_{OD}$ differential peak-to-peak typical | 6 <sup>(49)</sup>                | 120                 | 34                               | 680                 |
|  | 7 <sup>(49)</sup>                | 140                 | 35                               | 700                 |
|  | 8 <sup>(49)</sup>                | 160                 | 36                               | 720                 |
|  | 9                                | 180                 | 37                               | 740                 |
|  | 10                               | 200                 | 38                               | 760                 |
|  | 11                               | 220                 | 39                               | 780                 |
|  | 12                               | 240                 | 40                               | 800                 |
|  | 13                               | 260                 | 41                               | 820                 |
|  | 14                               | 280                 | 42                               | 840                 |
|  | 15                               | 300                 | 43                               | 860                 |
|  | 16                               | 320                 | 44                               | 880                 |
|  | 17                               | 340                 | 45                               | 900                 |
|  | 18                               | 360                 | 46                               | 920                 |
|  | 19                               | 380                 | 47                               | 940                 |
|  | 20                               | 400                 | 48                               | 960                 |
|  | 21                               | 420                 | 49                               | 980                 |
|  | 22                               | 440                 | 50                               | 1000                |
| 23   | 460                              | 51                  | 1020                             |                     |
| 24   | 480                              | 52                  | 1040                             |                     |

*continued...*

<sup>(48)</sup> Convert these values to their binary equivalent form if you are using the dynamic reconfiguration mode for PMA analog controls.

<sup>(49)</sup> Only valid for data rates  $\leq$  5 Gbps.

| Symbol | V <sub>OD</sub> Setting <sup>(48)</sup> | V <sub>OD</sub> Value (mV) | V <sub>OD</sub> Setting <sup>(48)</sup> | V <sub>OD</sub> Value (mV) |
|--------|---|----------------------------|---|----------------------------|
|        | 25                                      | 500                        | 53                                      | 1060                       |
|        | 26                                      | 520                        | 54                                      | 1080                       |
|        | 27                                      | 540                        | 55                                      | 1100                       |
|        | 28                                      | 560                        | 56                                      | 1120                       |
|        | 29                                      | 580                        | 57                                      | 1140                       |
|        | 30                                      | 600                        | 58                                      | 1160                       |
|        | 31                                      | 620                        | 59                                      | 1180                       |
|        | 32                                      | 640                        | 60                                      | 1200                       |
|        | 33                                      | 660                        |   |                            |

### Transmitter Pre-Emphasis Levels

The following table lists the simulation data on the transmitter pre-emphasis levels in dB for the first post tap under the following conditions:

- Low-frequency data pattern—five 1s and five 0s
- Data rate—2.5 Gbps

The levels listed are a representation of possible pre-emphasis levels under the specified conditions only and the pre-emphasis levels may change with data pattern and data rate.

Cyclone V devices only support 1st post tap pre-emphasis with the following conditions:

- The 1st post tap pre-emphasis settings must satisfy  $|B| + |C| \leq 60$  where  $|B| = V_{OD}$  setting with termination value,  $R_{TERM} = 100 \Omega$  and  $|C| = 1st$  post tap pre-emphasis setting.
- $|B| - |C| > 5$  for data rates  $< 5$  Gbps and  $|B| - |C| > 8.25$  for data rates  $> 5$  Gbps.
- $(V_{MAX}/V_{MIN} - 1)\% < 600\%$ , where  $V_{MAX} = |B| + |C|$  and  $V_{MIN} = |B| - |C|$ .

<sup>(48)</sup> Convert these values to their binary equivalent form if you are using the dynamic reconfiguration mode for PMA analog controls.

Exceptions for PCIe Gen2 design:

- $V_{OD}$  setting = 50 and pre-emphasis setting = 22 are allowed for PCIe Gen2 design with transmit de-emphasis -6dB setting (`pipe_txdeemp = 1'b0`) using Intel PCIe Hard IP and PIPE IP cores.
- $V_{OD}$  setting = 50 and pre-emphasis setting = 12 are allowed for PCIe Gen2 design with transmit de-emphasis -3.5dB setting (`pipe_txdeemp = 1'b1`) using Intel PCIe Hard IP and PIPE IP cores.

For example, when  $V_{OD} = 800$  mV, the corresponding  $V_{OD}$  value setting is 40. The following conditions show that the 1st post tap pre-emphasis setting = 2 is valid:

- $|B| + |C| \leq 60 \rightarrow 40 + 2 = 42$
- $|B| - |C| > 5 \rightarrow 40 - 2 = 38$
- $(V_{MAX}/V_{MIN} - 1)\% < 600\% \rightarrow (42/38 - 1)\% = 10.52\%$

To predict the pre-emphasis level for your specific data rate and pattern, run simulations using the Cyclone V HSSI HSPICE models.

**Table 28. Transmitter Pre-Emphasis Levels for Cyclone V Devices**

| Intel Quartus Prime 1st Post Tap Pre-Emphasis Setting | Intel Quartus Prime $V_{OD}$ Setting |             |             |             |             |             |              | Unit |
|---|--------------------------------------|-------------|-------------|-------------|-------------|-------------|--------------|------|
|   | 10 (200 mV)                          | 20 (400 mV) | 30 (600 mV) | 35 (700 mV) | 40 (800 mV) | 45 (900 mV) | 50 (1000 mV) |      |
| 0   | 0                                    | 0           | 0           | 0           | 0           | 0           | 0            | dB   |
| 1   | 1.97                                 | 0.88        | 0.43        | 0.32        | 0.24        | 0.19        | 0.13         | dB   |
| 2   | 3.58                                 | 1.67        | 0.95        | 0.76        | 0.61        | 0.5         | 0.41         | dB   |
| 3   | 5.35                                 | 2.48        | 1.49        | 1.2         | 1           | 0.83        | 0.69         | dB   |
| 4   | 7.27                                 | 3.31        | 2           | 1.63        | 1.36        | 1.14        | 0.96         | dB   |
| 5   | —                                    | 4.19        | 2.55        | 2.1         | 1.76        | 1.49        | 1.26         | dB   |
| 6   | —                                    | 5.08        | 3.11        | 2.56        | 2.17        | 1.83        | 1.56         | dB   |
| 7   | —                                    | 5.99        | 3.71        | 3.06        | 2.58        | 2.18        | 1.87         | dB   |
| 8   | —                                    | 6.92        | 4.22        | 3.47        | 2.93        | 2.48        | 2.11         | dB   |
| 9   | —                                    | 7.92        | 4.86        | 4           | 3.38        | 2.87        | 2.46         | dB   |
| 10  | —                                    | 9.04        | 5.46        | 4.51        | 3.79        | 3.23        | 2.77         | dB   |

*continued...*

| Intel Quartus Prime 1st Post Tap Pre-Emphasis Setting | Intel Quartus Prime V <sub>OD</sub> Setting |             |             |             |             |             |              | Unit |
|---|---|-------------|-------------|-------------|-------------|-------------|--------------|------|
|   | 10 (200 mV)                                 | 20 (400 mV) | 30 (600 mV) | 35 (700 mV) | 40 (800 mV) | 45 (900 mV) | 50 (1000 mV) |      |
| 11  | —   | 10.2        | 6.09        | 5.01        | 4.23        | 3.61        | —            | dB   |
| 12  | —   | 11.56       | 6.74        | 5.51        | 4.68        | 3.97        | —            | dB   |
| 13  | —   | 12.9        | 7.44        | 6.1         | 5.12        | 4.36        | —            | dB   |
| 14  | —   | 14.44       | 8.12        | 6.64        | 5.57        | 4.76        | —            | dB   |
| 15  | —   | —           | 8.87        | 7.21        | 6.06        | 5.14        | —            | dB   |
| 16  | —   | —           | 9.56        | 7.73        | 6.49        | —           | —            | dB   |
| 17  | —   | —           | 10.43       | 8.39        | 7.02        | —           | —            | dB   |
| 18  | —   | —           | 11.23       | 9.03        | 7.52        | —           | —            | dB   |
| 19  | —   | —           | 12.18       | 9.7         | 8.02        | —           | —            | dB   |
| 20  | —   | —           | 13.17       | 10.34       | 8.59        | —           | —            | dB   |
| 21  | —   | —           | 14.2        | 11.1        | —           | —           | —            | dB   |
| 22  | —   | —           | 15.38       | 11.87       | —           | —           | —            | dB   |
| 23  | —   | —           | —           | 12.67       | —           | —           | —            | dB   |
| 24  | —   | —           | —           | 13.48       | —           | —           | —            | dB   |
| 25  | —   | —           | —           | 14.37       | —           | —           | —            | dB   |
| 26  | —   | —           | —           | —           | —           | —           | —            | dB   |
| 27  | —   | —           | —           | —           | —           | —           | —            | dB   |
| 28  | —   | —           | —           | —           | —           | —           | —            | dB   |
| 29  | —   | —           | —           | —           | —           | —           | —            | dB   |
| 30  | —   | —           | —           | —           | —           | —           | —            | dB   |
| 31  | —   | —           | —           | —           | —           | —           | —            | dB   |

**Related Information**

[SPICE Models for Intel Devices](#)

Provides the Cyclone V HSSI HSPICE models.

## Transceiver Compliance Specification

The following table lists the physical medium attachment (PMA) specification compliance of all supported protocol for Cyclone V GX, GT, SX, and ST devices. For more information about the protocol parameter details and compliance specifications, contact your Intel Sales Representative.

**Table 29. Transceiver Compliance Specification for All Supported Protocol for Cyclone V GX, GT, SX, and ST Devices**

| Protocol                             | Sub-protocol              | Data Rate (Mbps) |
|--------------------------------------|---------------------------|------------------|
| PCIe                                 | PCIe Gen1                 | 2,500            |
|                                      | PCIe Gen2 <sup>(50)</sup> | 5,000            |
|                                      | PCIe Cable                | 2,500            |
| XAUI                                 | XAUI 2135                 | 3,125            |
| Serial RapidIO® (SRIO)               | SRIO 1250 SR              | 1,250            |
|                                      | SRIO 1250 LR              | 1,250            |
|                                      | SRIO 2500 SR              | 2,500            |
|                                      | SRIO 2500 LR              | 2,500            |
|                                      | SRIO 3125 SR              | 3,125            |
|                                      | SRIO 3125 LR              | 3,125            |
|                                      | SRIO 5000 SR              | 5,000            |
|                                      | SRIO 5000 MR              | 5,000            |
|                                      | SRIO 5000 LR              | 5,000            |
| Common Public Radio Interface (CPRI) | CPRI E6LV                 | 614.4            |
|                                      | CPRI E6HV                 | 614.4            |
|                                      | CPRI E6LVII               | 614.4            |

*continued...*

<sup>(50)</sup> For PCIe Gen2 sub-protocol, Intel recommends increasing the  $V_{CC0\_GXBL}$  and  $V_{CC1\_GXBL}$  typical value from 1.1 V to 1.2 V for Cyclone V GT and ST FPGA systems which ensure full compliance to the PCIe Gen2 transmit jitter specification. For more information about the maximum full duplex channels recommended in Cyclone V GT and ST devices under this condition, refer to the *Transceiver Protocol Configurations in Cyclone V Devices* chapter.

| Protocol                       | Sub-protocol                 | Data Rate (Mbps) |
|--------------------------------|------------------------------|------------------|
|                                | CPRI E12LV                   | 1,228.8          |
|                                | CPRI E12HV                   | 1,228.8          |
|                                | CPRI E12LVII                 | 1,228.8          |
|                                | CPRI E24LV                   | 2,457.6          |
|                                | CPRI E24LVII                 | 2,457.6          |
|                                | CPRI E30LV                   | 3,072            |
|                                | CPRI E30LVII                 | 3,072            |
|                                | CPRI E48LVII <sup>(51)</sup> | 4,915.2          |
|                                | CPRI E60LVII <sup>(51)</sup> | 6,144            |
| Gbps Ethernet (GbE)            | GbE 1250                     | 1,250            |
| OBSAI                          | OBSAI 768                    | 768              |
|                                | OBSAI 1536                   | 1,536            |
|                                | OBSAI 3072                   | 3,072            |
| Serial digital interface (SDI) | SDI 270 SD                   | 270              |
|                                | SDI 1485 HD                  | 1,485            |
|                                | SDI 2970 3G                  | 2,970            |
| VbyOne                         | VbyOne 3750                  | 3,750            |
| HiGig+                         | HIGIG 3750                   | 3,750            |

### Related Information

- [PCIe Supported Configurations and Placement Guidelines](#)

Provides more information about the maximum full duplex channels recommended in Cyclone V GT and ST devices which require full compliance to the PCIe Gen2 transmit jitter specification.

<sup>(51)</sup> For CPRI E48LVII and E60LVII, Intel recommends increasing the  $V_{CCCE\_GXBL}$  and  $V_{CCCL\_GXBL}$  typical value from 1.1 V to 1.2 V for full compliance to CPRI transmit jitter specification at 4.9152 Gbps (Cyclone V GT and ST devices) and 6.144 Gbps (Cyclone V GT and ST devices only). For more information about the maximum full duplex channels recommended in Cyclone V GT and ST devices for CPRI 6.144 Gbps, refer to the *Transceiver Protocol Configurations in Cyclone V Devices* chapter.

- 6.144-Gbps Support Capability in Cyclone V GT Devices  
Provides more information about the maximum full duplex channels recommended in Cyclone V GT and ST devices for CPRI 6.144 Gbps.

## Core Performance Specifications

### Clock Tree Specifications

**Table 30. Clock Tree Specifications for Cyclone V Devices**

| Parameter                       | Performance |          |          | Unit |
|---------------------------------|-------------|----------|----------|------|
|                                 | -C6         | -C7, -I7 | -C8, -A7 |      |
| Global clock and Regional clock | 550         | 550      | 460      | MHz  |
| Peripheral clock                | 155         | 155      | 155      | MHz  |

### PLL Specifications

**Table 31. PLL Specifications for Cyclone V Devices**

This table lists the Cyclone V PLL block specifications. Cyclone V PLL block does not include HPS PLL.

| Symbol       | Parameter   | Condition             | Min | Typ | Max                 | Unit |
|--------------|---|-----------------------|-----|-----|---------------------|------|
| $f_{IN}$     | Input clock frequency   | -C6 speed grade       | 5   | —   | 670 <sup>(52)</sup> | MHz  |
|              |   | -C7, -I7 speed grades | 5   | —   | 622 <sup>(52)</sup> | MHz  |
|              |   | -C8, -A7 speed grades | 5   | —   | 500 <sup>(52)</sup> | MHz  |
| $f_{INPFD}$  | Integer input clock frequency to the phase frequency detector (PFD) | —                     | 5   | —   | 325                 | MHz  |
| $f_{FINPFD}$ | Fractional input clock frequency to the PFD                         | —                     | 50  | —   | 160                 | MHz  |

*continued...*

<sup>(52)</sup> This specification is limited in the Intel Quartus Prime software by the I/O maximum frequency. The maximum I/O frequency is different for each I/O standard.

| Symbol                           | Parameter  | Condition                  | Min | Typ | Max                 | Unit |
|----------------------------------|--|----------------------------|-----|-----|---------------------|------|
| f <sub>VCO</sub> <sup>(53)</sup> | PLL voltage-controlled oscillator (VCO) operating range  | -C6, -C7, -I7 speed grades | 600 | —   | 1600                | MHz  |
|                                  |  | -C8, -A7 speed grades      | 600 | —   | 1300                | MHz  |
| t <sub>EINDUTY</sub>             | Input clock or external feedback clock input duty cycle  | —                          | 40  | —   | 60                  | %    |
| f <sub>OUT</sub>                 | Output frequency for internal global or regional clock   | -C6, -C7, -I7 speed grades | —   | —   | 550 <sup>(54)</sup> | MHz  |
|                                  |  | -C8, -A7 speed grades      | —   | —   | 460 <sup>(54)</sup> | MHz  |
| f <sub>OUT_EXT</sub>             | Output frequency for external clock output   | -C6, -C7, -I7 speed grades | —   | —   | 667 <sup>(54)</sup> | MHz  |
|                                  |  | -C8, -A7 speed grades      | —   | —   | 533 <sup>(54)</sup> | MHz  |
| t <sub>OUTDUTY</sub>             | Duty cycle for external clock output (when set to 50%)   | —                          | 45  | 50  | 55                  | %    |
| t <sub>FCOMP</sub>               | External feedback clock compensation time  | —                          | —   | —   | 10                  | ns   |
| t <sub>DYCONFIGCLK</sub>         | Dynamic configuration clock for <code>mgmt_clk</code> and <code>scanclk</code>                           | —                          | —   | —   | 100                 | MHz  |
| t <sub>LOCK</sub>                | Time required to lock from end-of-device configuration or deassertion of <code>areset</code>             | —                          | —   | —   | 1                   | ms   |
| t <sub>DLOCK</sub>               | Time required to lock dynamically (after switchover or reconfiguring any non-post-scale counters/delays) | —                          | —   | —   | 1                   | ms   |
| f <sub>CLBW</sub>                | PLL closed-loop bandwidth  | Low                        | —   | 0.3 | —                   | MHz  |
|                                  |  | Medium                     | —   | 1.5 | —                   | MHz  |
|                                  |  | High <sup>(55)</sup>       | —   | 4   | —                   | MHz  |

*continued...*

- (53) The VCO frequency reported by the Intel Quartus Prime software takes into consideration the VCO post divider value. Therefore, if the VCO post divider value is 2, the frequency reported can be lower than the f<sub>VCO</sub> specification.
- (54) This specification is limited by the lower of the two: I/O f<sub>MAX</sub> or F<sub>OUT</sub> of the PLL.
- (55) High bandwidth PLL settings are not supported in external feedback mode.

| Symbol                                    | Parameter  | Condition                  | Min | Typ | Max                                       | Unit      |
|---|--|----------------------------|-----|-----|---|-----------|
| t <sub>PLL_PSERR</sub>                    | Accuracy of PLL phase shift  | —                          | —   | —   | ±50                                       | ps        |
| t <sub>ARESET</sub>                       | Minimum pulse width on the areset signal                           | —                          | 10  | —   | —   | ns        |
| t <sub>INCCJ</sub> <sup>(56)(57)</sup>    | Input clock cycle-to-cycle jitter                                  | F <sub>REF</sub> ≥ 100 MHz | —   | —   | 0.15                                      | UI (p-p)  |
|   |  | F <sub>REF</sub> < 100 MHz | —   | —   | ±750                                      | ps (p-p)  |
| t <sub>OUTPJ_DC</sub> <sup>(58)</sup>     | Period jitter for dedicated clock output in integer PLL            | F <sub>OUT</sub> ≥ 100 MHz | —   | —   | 300                                       | ps (p-p)  |
|   |  | F <sub>OUT</sub> < 100 MHz | —   | —   | 30  | mUI (p-p) |
| t <sub>FOUTPJ_DC</sub> <sup>(58)</sup>    | Period jitter for dedicated clock output in fractional PLL         | F <sub>OUT</sub> ≥ 100 MHz | —   | —   | 425 <sup>(61)</sup> , 300 <sup>(59)</sup> | ps (p-p)  |
|   |  | F <sub>OUT</sub> < 100 MHz | —   | —   | 42.5 <sup>(61)</sup> , 30 <sup>(59)</sup> | mUI (p-p) |
| t <sub>OUTCCJ_DC</sub> <sup>(58)</sup>    | Cycle-to-cycle jitter for dedicated clock output in integer PLL    | F <sub>OUT</sub> ≥ 100 MHz | —   | —   | 300                                       | ps (p-p)  |
|   |  | F <sub>OUT</sub> < 100 MHz | —   | —   | 30  | mUI (p-p) |
| t <sub>FOUTCCJ_DC</sub> <sup>(58)</sup>   | Cycle-to-cycle jitter for dedicated clock output in fractional PLL | F <sub>OUT</sub> ≥ 100 MHz | —   | —   | 425 <sup>(61)</sup> , 300 <sup>(59)</sup> | ps (p-p)  |
|   |  | F <sub>OUT</sub> < 100 MHz | —   | —   | 42.5 <sup>(61)</sup> , 30 <sup>(59)</sup> | mUI (p-p) |
| t <sub>OUTPJ_IO</sub> <sup>(58)(60)</sup> | Period jitter for clock output on a regular I/O in integer PLL     | F <sub>OUT</sub> ≥ 100 MHz | —   | —   | 650                                       | ps (p-p)  |
|   |  | F <sub>OUT</sub> < 100 MHz | —   | —   | 65  | mUI (p-p) |

**continued...**

- (56) A high input jitter directly affects the PLL output jitter. To have low PLL output clock jitter, you must provide a clean clock source with jitter < 120 ps.
- (57) F<sub>REF</sub> is f<sub>IN</sub>/N, specification applies when N = 1.
- (58) Peak-to-peak jitter with a probability level of 10<sup>-12</sup> (14 sigma, 99.9999999974404% confidence level). The output jitter specification applies to the intrinsic jitter of the PLL, when an input jitter of 30 ps is applied. The external memory interface clock output jitter specifications use a different measurement method and are available in *Memory Output Clock Jitter Specification for Cyclone V Devices* table.
- (59) This specification only covers fractional PLL for low bandwidth. The f<sub>VCO</sub> for fractional value range 0.20–0.80 must be ≥ 1200 MHz.
- (60) External memory interface clock output jitter specifications use a different measurement method, which are available in *Memory Output Clock Jitter Specification for Cyclone V Devices* table.

| Symbol  | Parameter   | Condition                    | Min    | Typ     | Max        | Unit      |
|---|---|------------------------------|--------|---------|------------|-----------|
| t <sub>FOUTPJ_IO</sub> <sup>(58)(60)(61)</sup>  | Period jitter for clock output on a regular I/O in fractional PLL       | F <sub>OUT</sub> ≥ 100 MHz   | —      | —       | 650        | ps (p-p)  |
|   |   | F <sub>OUT</sub> < 100 MHz   | —      | —       | 65         | mUI (p-p) |
| t <sub>OUTCCJ_IO</sub> <sup>(58)(60)</sup>      | Cycle-to-cycle jitter for clock output on regular I/O in integer PLL    | F <sub>OUT</sub> ≥ 100 MHz   | —      | —       | 650        | ps (p-p)  |
|   |   | F <sub>OUT</sub> < 100 MHz   | —      | —       | 65         | mUI (p-p) |
| t <sub>FOUTCCJ_IO</sub> <sup>(58)(60)(61)</sup> | Cycle-to-cycle jitter for clock output on regular I/O in fractional PLL | F <sub>OUT</sub> ≥ 100 MHz   | —      | —       | 650        | ps (p-p)  |
|   |   | F <sub>OUT</sub> < 100 MHz   | —      | —       | 65         | mUI (p-p) |
| t <sub>CASC_OUTPJ_DC</sub> <sup>(58)(62)</sup>  | Period jitter for dedicated clock output in cascaded PLLs               | F <sub>OUT</sub> ≥ 100 MHz   | —      | —       | 300        | ps (p-p)  |
|   |   | F <sub>OUT</sub> < 100 MHz   | —      | —       | 30         | mUI (p-p) |
| t <sub>DRIFT</sub>                              | Frequency drift after PFDENA is disabled for a duration of 100 μs       | —                            | —      | —       | ±10        | %         |
| dK <sub>BIT</sub>                               | Bit number of Delta Sigma Modulator (DSM)                               | —                            | 8      | 24      | 32         | Bits      |
| k <sub>VALUE</sub>                              | Numerator of fraction   | —                            | 128    | 8388608 | 2147483648 | —         |
| f <sub>RES</sub>                                | Resolution of VCO frequency   | f <sub>INPFD</sub> = 100 MHz | 390625 | 5.96    | 0.023      | Hz        |

### Related Information

[Memory Output Clock Jitter Specifications](#) on page 49

Provides more information about the external memory interface clock output jitter specifications.

(61) This specification only covers fractional PLL for low bandwidth. The f<sub>VCO</sub> for fractional value range 0.05–0.95 must be ≥ 1000 MHz.

(62) The cascaded PLL specification is only applicable with the following conditions:

- Upstream PLL: 0.59 MHz ≤ Upstream PLL BW < 1 MHz
- Downstream PLL: Downstream PLL BW > 2 MHz

## DSP Block Performance Specifications

**Table 32. DSP Block Performance Specifications for Cyclone V Devices**

| Mode                       |   | Performance |          |          | Unit |
|----------------------------|---|-------------|----------|----------|------|
|                            |   | -C6         | -C7, -I7 | -C8, -A7 |      |
| Modes using One DSP Block  | Independent 9 × 9 multiplication                  | 340         | 300      | 260      | MHz  |
|                            | Independent 18 × 19 multiplication                | 287         | 250      | 200      | MHz  |
|                            | Independent 18 × 18 multiplication                | 287         | 250      | 200      | MHz  |
|                            | Independent 27 × 27 multiplication                | 250         | 200      | 160      | MHz  |
|                            | Independent 18 × 25 multiplication                | 310         | 250      | 200      | MHz  |
|                            | Independent 20 × 24 multiplication                | 310         | 250      | 200      | MHz  |
|                            | Two 18 × 19 multiplier adder mode                 | 310         | 250      | 200      | MHz  |
|                            | 18 × 18 multiplier added summed with 36-bit input | 310         | 250      | 200      | MHz  |
| Modes using Two DSP Blocks | Complex 18 × 19 multiplication                    | 310         | 250      | 200      | MHz  |

## Memory Block Performance Specifications

To achieve the maximum memory block performance, use a memory block clock that comes through global clock routing from an on-chip PLL and set to 50% output duty cycle. Use the Intel Quartus Prime software to report timing for the memory block clocking schemes.

When you use the error detection cyclical redundancy check (CRC) feature, there is no degradation in  $f_{MAX}$ .

**Table 33. Memory Block Performance Specifications for Cyclone V Devices**

| Memory              | Mode   | Resources Used |        | Performance |          |          | Unit |
|---------------------|--|----------------|--------|-------------|----------|----------|------|
|                     |  | ALUTs          | Memory | -C6         | -C7, -I7 | -C8, -A7 |      |
| MLAB                | Single port, all supported widths                        | 0              | 1      | 420         | 350      | 300      | MHz  |
|                     | Simple dual-port, all supported widths                   | 0              | 1      | 420         | 350      | 300      | MHz  |
|                     | Simple dual-port with read and write at the same address | 0              | 1      | 340         | 290      | 240      | MHz  |
| <i>continued...</i> |  |                |        |             |          |          |      |

| Memory     | Mode  | Resources Used |        | Performance |          |          | Unit |
|------------|---|----------------|--------|-------------|----------|----------|------|
|            |   | ALUTs          | Memory | -C6         | -C7, -I7 | -C8, -A7 |      |
|            | ROM, all supported width  | 0              | 1      | 420         | 350      | 300      | MHz  |
| M10K Block | Single-port, all supported widths   | 0              | 1      | 315         | 275      | 240      | MHz  |
|            | Simple dual-port, all supported widths  | 0              | 1      | 315         | 275      | 240      | MHz  |
|            | Simple dual-port with the <b>read-during-write</b> option set to <b>Old Data</b> , all supported widths | 0              | 1      | 275         | 240      | 180      | MHz  |
|            | True dual port, all supported widths  | 0              | 1      | 315         | 275      | 240      | MHz  |
|            | ROM, all supported widths   | 0              | 1      | 315         | 275      | 240      | MHz  |

## Periphery Performance

This section describes the periphery performance, high-speed I/O, and external memory interface.

Actual achievable frequency depends on design and system specific factors. Ensure proper timing closure in your design and perform HSPICE/IBIS simulations based on your specific design and system setup to determine the maximum achievable frequency in your system.

## High-Speed I/O Specifications

**Table 34. High-Speed I/O Specifications for Cyclone V Devices**

When J = 1 or 2, bypass the serializer/deserializer (SERDES) block.

For LVDS applications, you must use the PLLs in integer PLL mode. This is achieved by using the LVDS clock network.

The Cyclone V devices support the following output standards using true LVDS output buffer types on all I/O banks.

- True RSDS output standard with data rates of up to 360 Mbps
- True mini-LVDS output standard with data rates of up to 400 Mbps

| Symbol   |   | Condition                                      | -C6             |     |       | -C7, -I7        |     |     | -C8, -A7        |     |     | Unit |
|--|---|--|-----------------|-----|-------|-----------------|-----|-----|-----------------|-----|-----|------|
|  |   |  | Min             | Typ | Max   | Min             | Typ | Max | Min             | Typ | Max |      |
| f <sub>HCLK_in</sub> (input clock frequency) True Differential I/O Standards |   | Clock boost factor W = 1 to 40 <sup>(63)</sup> | 5               | —   | 437.5 | 5               | —   | 420 | 5               | —   | 320 | MHz  |
| f <sub>HCLK_in</sub> (input clock frequency) Single-Ended I/O Standards      |   | Clock boost factor W = 1 to 40 <sup>(63)</sup> | 5               | —   | 320   | 5               | —   | 320 | 5               | —   | 275 | MHz  |
| f <sub>HCLK_OUT</sub> (output clock frequency)                               |   | —  | 5               | —   | 420   | 5               | —   | 370 | 5               | —   | 320 | MHz  |
| Transmitter  | True Differential I/O Standards - f <sub>HSDR</sub> (data rate) | SERDES factor J = 4 to 10 <sup>(64)</sup>      | <sup>(65)</sup> | —   | 840   | <sup>(65)</sup> | —   | 740 | <sup>(65)</sup> | —   | 640 | Mbps |
| <i>continued...</i>  |   |  |                 |     |       |                 |     |     |                 |     |     |      |

<sup>(63)</sup> Clock boost factor (W) is the ratio between the input data rate and the input clock rate.

<sup>(64)</sup> The F<sub>max</sub> specification is based on the fast clock used for serial data. The interface F<sub>max</sub> is also dependent on the parallel clock domain which is design dependent and requires timing analysis.

<sup>(65)</sup> The minimum specification depends on the clock source (for example, the PLL and clock pin) and the clock routing resource (global, regional, or local) that you use. The I/O differential buffer and input register do not have a minimum toggle rate.

| Symbol   | Condition  | -C6  |     |      | -C7, -I7 |     |      | -C8, -A7 |     |      | Unit |
|--|--|------|-----|------|----------|-----|------|----------|-----|------|------|
|  |  | Min  | Typ | Max  | Min      | Typ | Max  | Min      | Typ | Max  |      |
|  | SERDES factor J = 1 to 2, uses DDR registers   | (65) | —   | (66) | (65)     | —   | (66) | (65)     | —   | (66) | Mbps |
|  | Emulated Differential I/O Standards with Three External Output Resistor Networks- $f_{HSDR}$ (data rate) <sup>(67)</sup> | (65) | —   | 640  | (65)     | —   | 640  | (65)     | —   | 550  | Mbps |
|  | Emulated Differential I/O Standards with One External Output Resistor Network - $f_{HSDR}$ (data rate)                   | (65) | —   | 170  | (65)     | —   | 170  | (65)     | —   | 170  | Mbps |
| $t_{x \text{ Jitter}}$ -True Differential I/O Standards <sup>(67)</sup>                                  | Total Jitter for Data Rate, 600 Mbps – 840 Mbps  | —    | —   | 350  | —        | —   | 380  | —        | —   | 500  | ps   |
|  | Total Jitter for Data Rate < 600Mbps   | —    | —   | 0.21 | —        | —   | 0.23 | —        | —   | 0.30 | UI   |
| $t_{x \text{ Jitter}}$ -Emulated Differential I/O Standards with Three External Output Resistor Networks | Total Jitter for Data Rate < 640Mbps   | —    | —   | 500  | —        | —   | 500  | —        | —   | 500  | ps   |
| $t_{x \text{ Jitter}}$ -Emulated Differential I/O Standards with One External Output Resistor Network    | Total Jitter for Data Rate < 640Mbps   | —    | —   | 0.15 | —        | —   | 0.15 | —        | —   | 0.15 | UI   |
| $t_{DUTY}$   | TX output clock duty cycle for both True and   | 45   | 50  | 55   | 45       | 50  | 55   | 45       | 50  | 55   | %    |

continued...

- (66) The maximum ideal data rate is the SERDES factor (J) × PLL max output frequency ( $f_{out}$ ), provided you can close the design timing and the signal integrity simulation is clean. You can estimate the achievable maximum data rate by performing link timing closure analysis. You must consider the board skew margin, transmitter delay margin, and receiver sampling margin to determine the maximum data rate supported.
- (67) You must calculate the leftover timing margin in the receiver by performing link timing closure analysis. You must consider the board skew margin, transmitter channel-to-channel skew, and receiver sampling margin to determine the leftover timing margin.

| Symbol          |   | Condition  | -C6  |                 |     | -C7, -17            |                 |     | -C8, -A7            |                 |     | Unit                |      |
|-----------------|---|--|--|-----------------|-----|---------------------|-----------------|-----|---------------------|-----------------|-----|---------------------|------|
|                 |   |  | Min  | Typ             | Max | Min                 | Typ             | Max | Min                 | Typ             | Max |                     |      |
|                 |   | Emulated Differential I/O Standards  |  |                 |     |                     |                 |     |                     |                 |     |                     |      |
|                 | t <sub>RISE</sub> and t <sub>FALL</sub> | True Differential I/O Standards  | —  | —               | 200 | —                   | —               | 200 | —                   | —               | 200 | ps                  |      |
|                 |   | Emulated Differential I/O Standards with Three External Output Resistor Networks | —  | —               | 250 | —                   | —               | 250 | —                   | —               | 300 | ps                  |      |
|                 |   | Emulated Differential I/O Standards with One External Output Resistor Network    | —  | —               | 300 | —                   | —               | 300 | —                   | —               | 300 | ps                  |      |
|                 | TCCS                                    | True Differential I/O Standards  | —  | —               | 200 | —                   | —               | 250 | —                   | —               | 250 | ps                  |      |
|                 |   | Emulated Differential I/O Standards with Three External Output Resistor Networks | —  | —               | 300 | —                   | —               | 300 | —                   | —               | 300 | ps                  |      |
|                 |   | Emulated Differential I/O Standards with One External Output Resistor Network    | —  | —               | 300 | —                   | —               | 300 | —                   | —               | 300 | ps                  |      |
|                 | Receiver                                | f <sub>HSDR</sub> (data rate)  | SERDES factor J = 4 to 10 <sup>(64)</sup>    | <sup>(65)</sup> | —   | 875 <sup>(67)</sup> | <sup>(65)</sup> | —   | 840 <sup>(67)</sup> | <sup>(65)</sup> | —   | 640 <sup>(67)</sup> | Mbps |
|                 |   |  | SERDES factor J = 1 to 2, uses DDR registers | <sup>(65)</sup> | —   | <sup>(66)</sup>     | <sup>(65)</sup> | —   | <sup>(66)</sup>     | <sup>(65)</sup> | —   | <sup>(66)</sup>     | Mbps |
| Sampling Window |   | —  | —  | —               | 350 | —                   | —               | 350 | —                   | —               | 350 | ps                  |      |

## DLL Frequency Range Specifications

**Table 35. DLL Frequency Range Specifications for Cyclone V Devices**

| Parameter                     | -C6       | -C7, -I7  | -C8       | Unit |
|-------------------------------|-----------|-----------|-----------|------|
| DLL operating frequency range | 167 – 400 | 167 – 400 | 167 – 333 | MHz  |

## DQS Logic Block Specifications

**Table 36. DQS Phase Shift Error Specification for DLL-Delayed Clock ( $t_{DQS\_PSERR}$ ) for Cyclone V Devices**

This error specification is the absolute maximum and minimum error.

| Number of DQS Delay Buffer | -C6 | -C7, -I7 | -C8 | Unit |
|----------------------------|-----|----------|-----|------|
| 2                          | 40  | 80       | 80  | ps   |

## Memory Output Clock Jitter Specifications

**Table 37. Memory Output Clock Jitter Specifications for Cyclone V Devices**

The memory output clock jitter measurements are for 200 consecutive clock cycles, as specified in the JEDEC DDR2/DDR3 SDRAM standard.

The memory output clock jitter is applicable when an input jitter of 30 ps (p-p) is applied with bit error rate (BER)  $10^{-12}$ , equivalent to 14 sigma.

Intel recommends using the UniPHY intellectual property (IP) with PHYCLK connections for better jitter performance.

| Parameter                    | Clock Network | Symbol         | -C6 |     | -C7, -I7 |     | -C8 |     | Unit |
|------------------------------|---------------|----------------|-----|-----|----------|-----|-----|-----|------|
|                              |               |                | Min | Max | Min      | Max | Min | Max |      |
| Clock period jitter          | PHYCLK        | $t_{JIT(per)}$ | -60 | 60  | -70      | 70  | -70 | 70  | ps   |
| Cycle-to-cycle period jitter | PHYCLK        | $t_{JIT(cc)}$  | —   | 90  | —        | 100 | —   | 100 | ps   |

## OCT Calibration Block Specifications

**Table 38. OCT Calibration Block Specifications for Cyclone V Devices**

| Symbol                | Description   | Min | Typ  | Max | Unit   |
|-----------------------|---|-----|------|-----|--------|
| OCTUSRCLK             | Clock required by OCT calibration blocks  | —   | —    | 20  | MHz    |
| T <sub>OCTCAL</sub>   | Number of OCTUSRCLK clock cycles required for R <sub>S</sub> OCT/R <sub>T</sub> OCT calibration   | —   | 1000 | —   | Cycles |
| T <sub>OCTSHIFT</sub> | Number of OCTUSRCLK clock cycles required for OCT code to shift out   | —   | 32   | —   | Cycles |
| T <sub>RS_RT</sub>    | Time required between the dyn_term_ctrl and oe signal transitions in a bidirectional I/O buffer to dynamically switch between R <sub>S</sub> OCT and R <sub>T</sub> OCT | —   | 2.5  | —   | ns     |

**Figure 5. Timing Diagram for oe and dyn\_term\_ctrl Signals**



## Duty Cycle Distortion (DCD) Specifications

**Table 39. Worst-Case DCD on Cyclone V I/O Pins**

The output DCD cycle only applies to the I/O buffer. It does not cover the system DCD.

| Symbol            | -C6 |     | -C7, -I7 |     | -C8, -A7 |     | Unit |
|-------------------|-----|-----|----------|-----|----------|-----|------|
|                   | Min | Max | Min      | Max | Min      | Max |      |
| Output Duty Cycle | 45  | 55  | 45       | 55  | 45       | 55  | %    |

## HPS Specifications

This section provides HPS specifications and timing for Cyclone V devices.

For HPS reset, the minimum reset pulse widths for the HPS cold and warm reset signals (HPS\_nRST and HPS\_nPOR) are six clock cycles of HPS\_CLK1.

## HPS Clock Performance

**Table 40. HPS Clock Performance for Cyclone V Devices**

| Symbol/Description                       | -C6 | -C7, -I7 | -A7 | -C8 | Unit |
|--|-----|----------|-----|-----|------|
| mpu_base_clk (microprocessor unit clock) | 925 | 800      | 700 | 600 | MHz  |
| main_base_clk (L3/L4 interconnect clock) | 400 | 400      | 350 | 300 | MHz  |
| h2f_user0_clk                            | 100 | 100      | 100 | 100 | MHz  |
| h2f_user1_clk                            | 100 | 100      | 100 | 100 | MHz  |
| h2f_user2_clk                            | 200 | 200      | 160 | 160 | MHz  |

## HPS PLL Specifications

### HPS PLL VCO Frequency Range

**Table 41. HPS PLL VCO Frequency Range for Cyclone V Devices**

| Description | Speed Grade        | Minimum | Maximum | Unit |
|-------------|--------------------|---------|---------|------|
| VCO range   | -C7, -I7, -A7, -C8 | 320     | 1,600   | MHz  |
|             | -C6                | 320     | 1,850   | MHz  |

### HPS PLL Input Clock Range

The HPS PLL input clock range is 10 – 50 MHz. This clock range applies to both HPS\_CLK1 and HPS\_CLK2 inputs.

#### Related Information

[Clock Select, Booting and Configuration chapter](#)

Provides more information about the clock range for different values of clock select (CSEL).

### HPS PLL Input Jitter

Use the following equation to determine the maximum input jitter (peak-to-peak) the HPS PLLs can tolerate. The divide value (N) is the value programmed into the denominator field of the VCO register for each PLL. The PLL input reference clock is divided by this value. The range of the denominator is 1 to 64.

Maximum input jitter = Input clock period × Divide value (N) × 0.02

**Table 42. Examples of Maximum Input Jitter**

| Input Reference Clock Period | Divide Value (N) | Maximum Jitter | Unit |
|------------------------------|------------------|----------------|------|
| 40 ns                        | 1                | 0.8            | ns   |
| 40 ns                        | 2                | 1.6            | ns   |
| 40 ns                        | 4                | 3.2            | ns   |

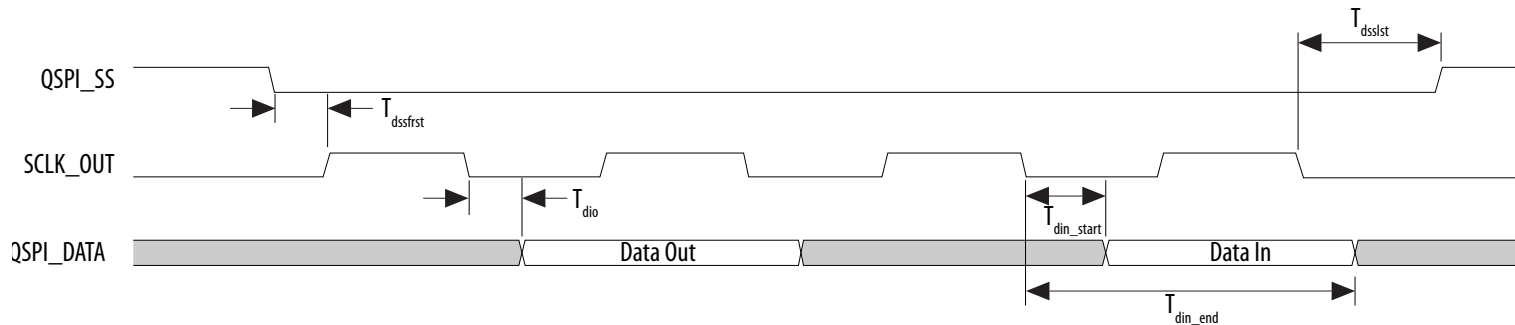
## Quad SPI Flash Timing Characteristics

**Table 43. Quad Serial Peripheral Interface (SPI) Flash Timing Requirements for Cyclone V Devices**

| Symbol           | Description  | Min   | Typ                   | Max   | Unit |
|------------------|--|---|-----------------------|---|------|
| $F_{clk}$        | SCLK_OUT clock frequency (External clock)          | —   | —                     | 108   | MHz  |
| $T_{qspi\_clk}$  | QSPI_CLK clock period (Internal reference clock)   | 2.32  | —                     | —   | ns   |
| $T_{dutycycle}$  | SCLK_OUT duty cycle                                | 45  | —                     | 55  | %    |
| $T_{dssfrst}$    | Output delay QSPI_SS valid before first clock edge | —   | 1/2 cycle of SCLK_OUT | —   | ns   |
| $T_{dsslst}$     | Output delay QSPI_SS valid after last clock edge   | -1  | —                     | 1   | ns   |
| $T_{dio}$        | I/O data output delay                              | -1  | —                     | 1   | ns   |
| $T_{din\_start}$ | Input data valid start                             | —   | —                     | $(2 + R_{delay}) \times T_{qspi\_clk} - 7.52$ <sup>(68)</sup> | ns   |
| $T_{din\_end}$   | Input data valid end                               | $(2 + R_{delay}) \times T_{qspi\_clk} - 1.21$ <sup>(68)</sup> | —                     | —   | ns   |

**Figure 6. Quad SPI Flash Timing Diagram**

This timing diagram illustrates clock polarity mode 0 and clock phase mode 0.



<sup>(68)</sup>  $R_{delay}$  is set by programming the register `qspiregs.rddatacap`. For the SoC EDS software version 13.1 and later, Intel provides automatic Quad SPI calibration in the preloader. For more information about  $R_{delay}$ , refer to the *Quad SPI Flash Controller* chapter in the *Cyclone V Hard Processor System Technical Reference Manual*.

### Related Information

Quad SPI Flash Controller Chapter, Cyclone V Hard Processor System Technical Reference Manual

Provides more information about  $R_{delay}$ .

## SPI Timing Characteristics

**Table 44. SPI Master Timing Requirements for Cyclone V Devices**

The setup and hold times can be used for Texas Instruments SSP mode and National Semiconductor Microwire mode.

| Symbol          | Description                                       | Min                  | Max | Unit |
|-----------------|---|----------------------|-----|------|
| $T_{clk}$       | CLK clock period                                  | 16.67                | —   | ns   |
| $T_{su}$        | SPI Master-in slave-out (MISO) setup time         | 8.35 <sup>(69)</sup> | —   | ns   |
| $T_h$           | SPI MISO hold time                                | 1                    | —   | ns   |
| $T_{dutycycle}$ | SPI_CLK duty cycle                                | 45                   | 55  | %    |
| $T_{dssfrst}$   | Output delay SPI_SS valid before first clock edge | 8                    | —   | ns   |
| $T_{dsslst}$    | Output delay SPI_SS valid after last clock edge   | 8                    | —   | ns   |
| $T_{dio}$       | Master-out slave-in (MOSI) output delay           | -1                   | 1   | ns   |

<sup>(69)</sup> This value is based on  $rx\_sample\_dly = 1$  and  $spi\_m\_clk = 120$  MHz.  $spi\_m\_clk$  is the internal clock that is used by SPI Master to derive its SCLK\_OUT. These timings are based on  $rx\_sample\_dly$  of 1. This delay can be adjusted as needed to accommodate slower response times from the slave. Note that a delay of 0 is not allowed. The setup time can be used as a reference starting point. It is very crucial to do a calibration to get the correct  $rx\_sample\_dly$  value because each SPI slave device may have different output delay and each application board may have different path delay. For more information about  $rx\_sample\_delay$ , refer to the SPI Controller chapter in the *Hard Processor System Technical Reference Manual*.

Figure 7. SPI Master Timing Diagram

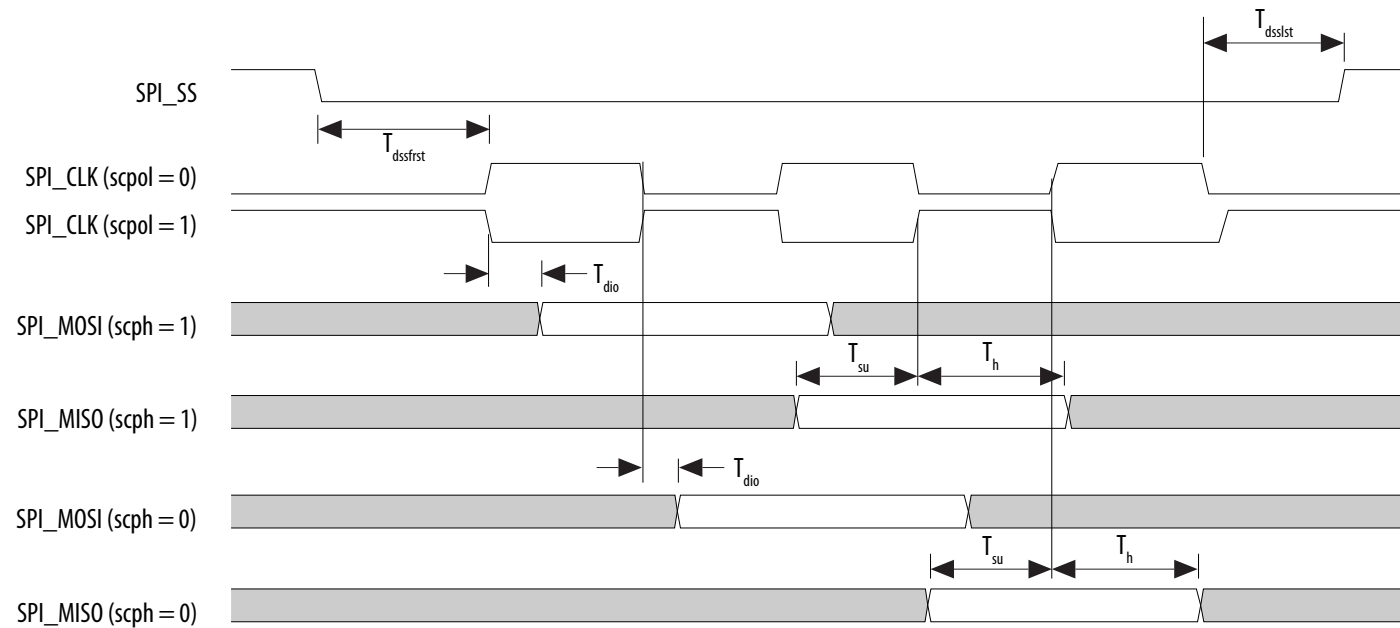
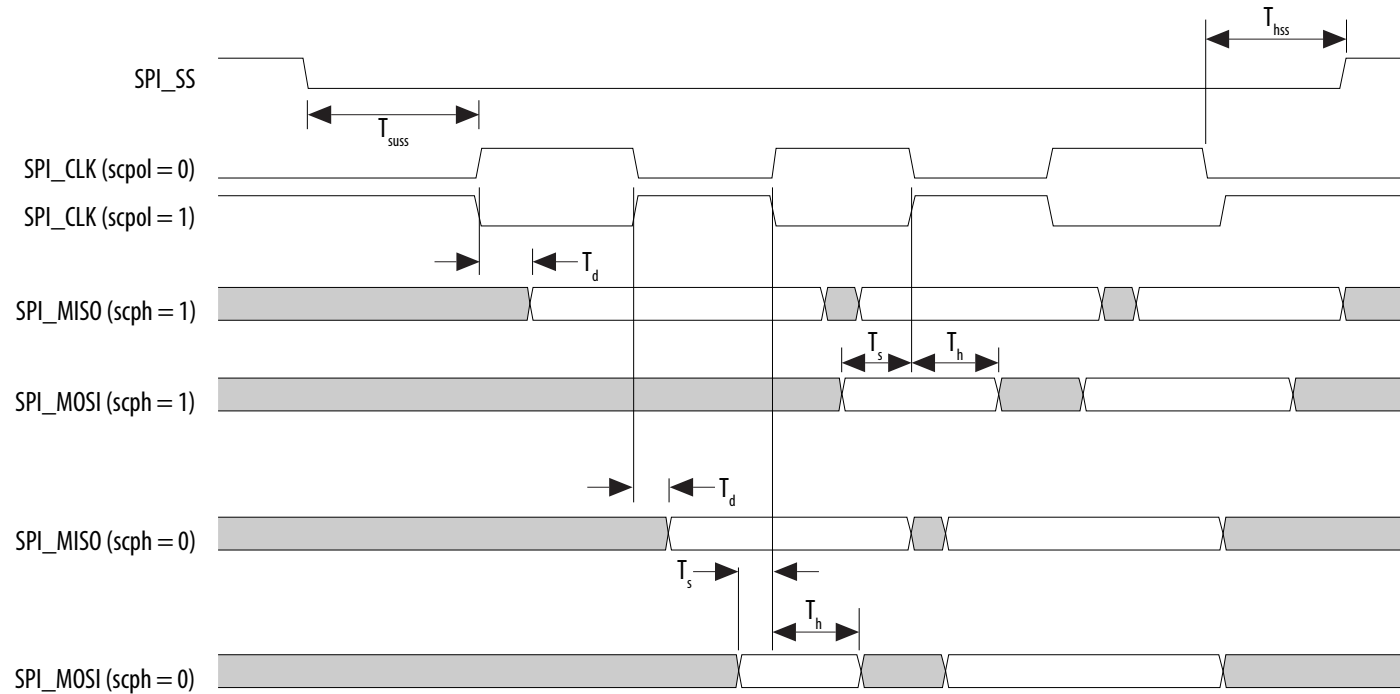


Table 45. SPI Slave Timing Requirements for Cyclone V Devices

The setup and hold times can be used for Texas Instruments SSP mode and National Semiconductor Microwire mode.

| Symbol     | Description                                     | Min | Max | Unit |
|------------|---|-----|-----|------|
| $T_{clk}$  | CLK clock period                                | 20  | —   | ns   |
| $T_s$      | MOSI Setup time                                 | 5   | —   | ns   |
| $T_h$      | MOSI Hold time                                  | 5   | —   | ns   |
| $T_{suss}$ | Setup time SPI_SS valid before first clock edge | 8   | —   | ns   |
| $T_{hss}$  | Hold time SPI_SS valid after last clock edge    | 8   | —   | ns   |
| $T_d$      | MISO output delay                               | —   | 6   | ns   |

**Figure 8. SPI Slave Timing Diagram**



**Related Information**

[SPI Controller, Cyclone V Hard Processor System Technical Reference Manual](#)

Provides more information about `rx_sample_delay`.

## SD/MMC Timing Characteristics

**Table 46. Secure Digital (SD)/MultiMediaCard (MMC) Timing Requirements for Cyclone V Devices**

After power up or cold reset, the Boot ROM uses `drvsel = 3` and `smp1sel = 0` to execute the code. At the same time, the SD/MMC controller enters the Identification Phase followed by the Data Phase. During this time, the value of interface output clock `SDMMC_CLK_OUT` changes from a maximum of 400 kHz (Identification Phase) up to a maximum of 12.5 MHz (Data Phase), depending on the internal reference clock `SDMMC_CLK` and the `CSEL` setting. The value of `SDMMC_CLK` is based on the external oscillator frequency and has a maximum value of 50 MHz.

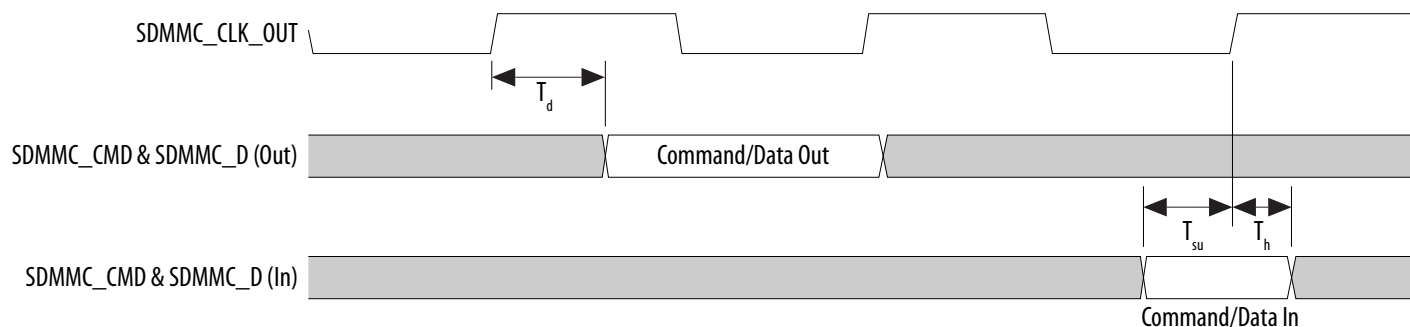
After the Boot ROM code exits and control is passed to the preloader, software can adjust the value of `drvsel` and `smp1sel` via the system manager. `drvsel` can be set from 1 to 7 and `smp1sel` can be set from 0 to 7. While the preloader is executing, the values for `SDMMC_CLK` and `SDMMC_CLK_OUT` increase to a maximum of 200 MHz and 50 MHz respectively.

| Symbol   | Description                                      | Min  | Max   | Unit |
|--|--|--|---|------|
| $T_{sdmmc\_clk}$ (internal reference clock)    | SDMMC_CLK clock period (Identification mode)     | 20   | —   | ns   |
|  | SDMMC_CLK clock period (Default speed mode)      | 5  | —   | ns   |
|  | SDMMC_CLK clock period (High speed mode)         | 5  | —   | ns   |
| $T_{sdmmc\_clk\_out}$ (interface output clock) | SDMMC_CLK_OUT clock period (Identification mode) | 2500   | —   | ns   |
|  | SDMMC_CLK_OUT clock period (Default speed mode)  | 40   | —   | ns   |
|  | SDMMC_CLK_OUT clock period (High speed mode)     | 20   | —   | ns   |
| $T_{duty}$                                     | SDMMC_CLK_OUT duty cycle                         | 45   | 55  | %    |
| $T_d$  | SDMMC_CMD/SDMMC_D output delay                   | $(T_{sdmmc\_clk} \times drvsel)/2 - 1.23$ <sup>(70)</sup>  | $(T_{sdmmc\_clk} \times drvsel)/2 + 1.69$ <sup>(70)</sup> | ns   |
| $T_{su}$                                       | Input setup time                                 | $1.05 - (T_{sdmmc\_clk} \times smp1sel)/2$ <sup>(71)</sup> | —   | ns   |
| $T_h$  | Input hold time                                  | $(T_{sdmmc\_clk} \times smp1sel)/2$ <sup>(71)</sup>        | —   | ns   |

(70) `drvsel` is the drive clock phase shift select value.

(71) `smp1sel` is the sample clock phase shift select value.

**Figure 9. SD/MMC Timing Diagram**



**Related Information**

[Booting and Configuration Chapter, Cyclone V Hard Processor System Technical Reference Manual](#)

Provides more information about CSEL pin settings in the *SD/MMC Controller CSEL Pin Settings* table.

**USB Timing Characteristics**

PHYs that support LPM mode may not function properly with the USB controller due to a timing issue. It is recommended that designers use the MicroChip USB3300 PHY device that has been proven to be successful on the development board.

**Table 47. USB Timing Requirements for Cyclone V Devices**

| Symbol    | Description                                  | Min | Typ   | Max | Unit |
|-----------|--|-----|-------|-----|------|
| $T_{clk}$ | USB CLK clock period                         | —   | 16.67 | —   | ns   |
| $T_d$     | CLK to USB_STP/USB_DATA[7:0] output delay    | 4.4 | —     | 11  | ns   |
| $T_{su}$  | Setup time for USB_DIR/USB_NXT/USB_DATA[7:0] | 2   | —     | —   | ns   |
| $T_h$     | Hold time for USB_DIR/USB_NXT/USB_DATA[7:0]  | 1   | —     | —   | ns   |

**Figure 10. USB Timing Diagram**



### Ethernet Media Access Controller (EMAC) Timing Characteristics

**Table 48. Reduced Gigabit Media Independent Interface (RGMII) TX Timing Requirements for Cyclone V Devices**

| Symbol                 | Description                            | Min   | Typ | Max  | Unit |
|------------------------|--|-------|-----|------|------|
| $T_{clk}$ (1000Base-T) | TX_CLK clock period                    | —     | 8   | —    | ns   |
| $T_{clk}$ (100Base-T)  | TX_CLK clock period                    | —     | 40  | —    | ns   |
| $T_{clk}$ (10Base-T)   | TX_CLK clock period                    | —     | 400 | —    | ns   |
| $T_{duty}$             | TX_CLK duty cycle                      | 45    | —   | 55   | %    |
| $T_d$                  | TX_CLK to TXD/TX_CTL output data delay | -0.85 | —   | 0.15 | ns   |

**Figure 11. RGMII TX Timing Diagram**



**Table 49. RGMII RX Timing Requirements for Cyclone V Devices**

| Symbol                 | Description            | Min | Typ | Unit |
|------------------------|------------------------|-----|-----|------|
| $T_{clk}$ (1000Base-T) | RX_CLK clock period    | —   | 8   | ns   |
| $T_{clk}$ (100Base-T)  | RX_CLK clock period    | —   | 40  | ns   |
| $T_{clk}$ (10Base-T)   | RX_CLK clock period    | —   | 400 | ns   |
| $T_{su}$               | RX_D/RX_CTL setup time | 1   | —   | ns   |
| $T_h$                  | RX_D/RX_CTL hold time  | 1   | —   | ns   |

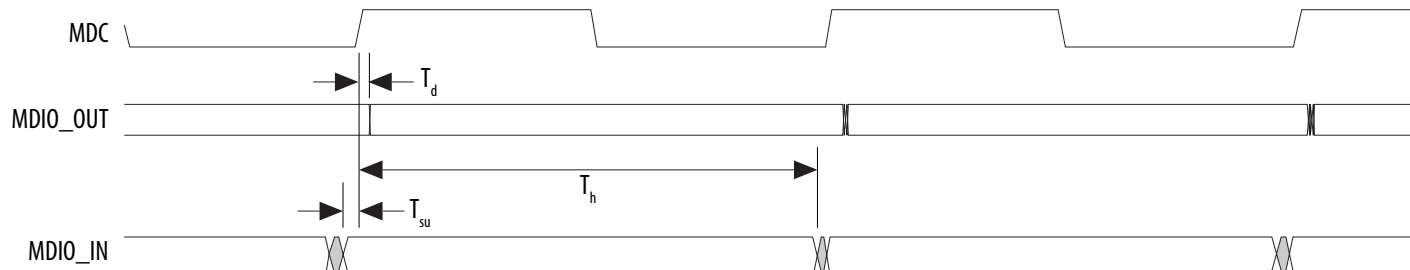
**Figure 12. RGMII RX Timing Diagram**



**Table 50. Management Data Input/Output (MDIO) Timing Requirements for Cyclone V Devices**

| Symbol    | Description                   | Min | Typ | Max | Unit |
|-----------|-------------------------------|-----|-----|-----|------|
| $T_{clk}$ | MDC clock period              | —   | 400 | —   | ns   |
| $T_d$     | MDC to MDIO output data delay | 10  | —   | 20  | ns   |
| $T_s$     | Setup time for MDIO data      | 10  | —   | —   | ns   |
| $T_h$     | Hold time for MDIO data       | 0   | —   | —   | ns   |

Figure 13. MDIO Timing Diagram



## I<sup>2</sup>C Timing Characteristics

Table 51. I<sup>2</sup>C Timing Requirements for Cyclone V Devices

| Symbol          | Description                                       | Standard Mode |      | Fast Mode |     | Unit    |
|-----------------|---|---------------|------|-----------|-----|---------|
|                 |   | Min           | Max  | Min       | Max |         |
| $T_{clk}$       | Serial clock (SCL) clock period                   | 10            | —    | 2.5       | —   | $\mu$ s |
| $T_{clkhigh}$   | SCL high time                                     | 4.7           | —    | 0.6       | —   | $\mu$ s |
| $T_{clklow}$    | SCL low time                                      | 4             | —    | 1.3       | —   | $\mu$ s |
| $T_s$           | Setup time for serial data line (SDA) data to SCL | 0.25          | —    | 0.1       | —   | $\mu$ s |
| $T_h$           | Hold time for SCL to SDA data                     | 0             | 3.45 | 0         | 0.9 | $\mu$ s |
| $T_d$           | SCL to SDA output data delay                      | —             | 0.2  | —         | 0.2 | $\mu$ s |
| $T_{su\_start}$ | Setup time for a repeated start condition         | 4.7           | —    | 0.6       | —   | $\mu$ s |
| $T_{hd\_start}$ | Hold time for a repeated start condition          | 4             | —    | 0.6       | —   | $\mu$ s |
| $T_{su\_stop}$  | Setup time for a stop condition                   | 4             | —    | 0.6       | —   | $\mu$ s |

Figure 14. I<sup>2</sup>C Timing Diagram



## NAND Timing Characteristics

Table 52. NAND ONFI 1.0 Timing Requirements for Cyclone V Devices

The NAND controller supports Open NAND FLASH Interface (ONFI) 1.0 Mode 5 timing as well as legacy NAND devices. This table lists the requirements for ONFI 1.0 mode 5 timing. The HPS NAND controller can meet this timing by programming the C4 output of the main HPS PLL and timing registers provided in the NAND controller.

| Symbol             | Description                                     | Min | Max | Unit |
|--------------------|---|-----|-----|------|
| $T_{wp}^{(72)}$    | Write enable pulse width                        | 10  | —   | ns   |
| $T_{wh}^{(72)}$    | Write enable hold time                          | 7   | —   | ns   |
| $T_{rp}^{(72)}$    | Read enable pulse width                         | 10  | —   | ns   |
| $T_{reh}^{(72)}$   | Read enable hold time                           | 7   | —   | ns   |
| $T_{clesu}^{(72)}$ | Command latch enable to write enable setup time | 10  | —   | ns   |
| $T_{cleh}^{(72)}$  | Command latch enable to write enable hold time  | 5   | —   | ns   |
| $T_{cesu}^{(72)}$  | Chip enable to write enable setup time          | 15  | —   | ns   |
| $T_{ceh}^{(72)}$   | Chip enable to write enable hold time           | 5   | —   | ns   |
| $T_{alesu}^{(72)}$ | Address latch enable to write enable setup time | 10  | —   | ns   |
| $T_{aleh}^{(72)}$  | Address latch enable to write enable hold time  | 5   | —   | ns   |
| $T_{dsu}^{(72)}$   | Data to write enable setup time                 | 10  | —   | ns   |
| $T_{dh}^{(72)}$    | Data to write enable hold time                  | 5   | —   | ns   |

*continued...*

(72) Timing of the NAND interface is controlled through the NAND configuration registers.

| Symbol    | Description                        | Min | Max | Unit |
|-----------|------------------------------------|-----|-----|------|
| $T_{cea}$ | Chip enable to data access time    | —   | 25  | ns   |
| $T_{rea}$ | Read enable to data access time    | —   | 16  | ns   |
| $T_{rhz}$ | Read enable to data high impedance | —   | 100 | ns   |
| $T_{rr}$  | Ready to read enable low           | 20  | —   | ns   |

Figure 15. NAND Command Latch Timing Diagram



Figure 16. NAND Address Latch Timing Diagram



Figure 17. NAND Data Write Timing Diagram

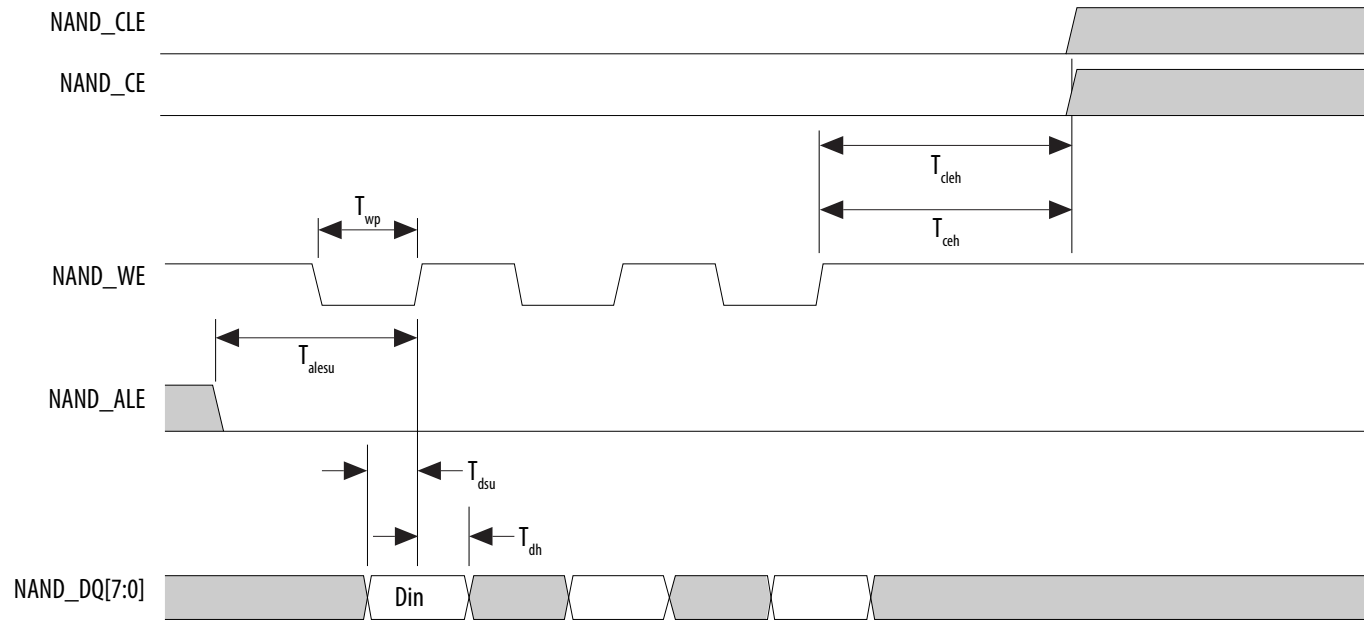
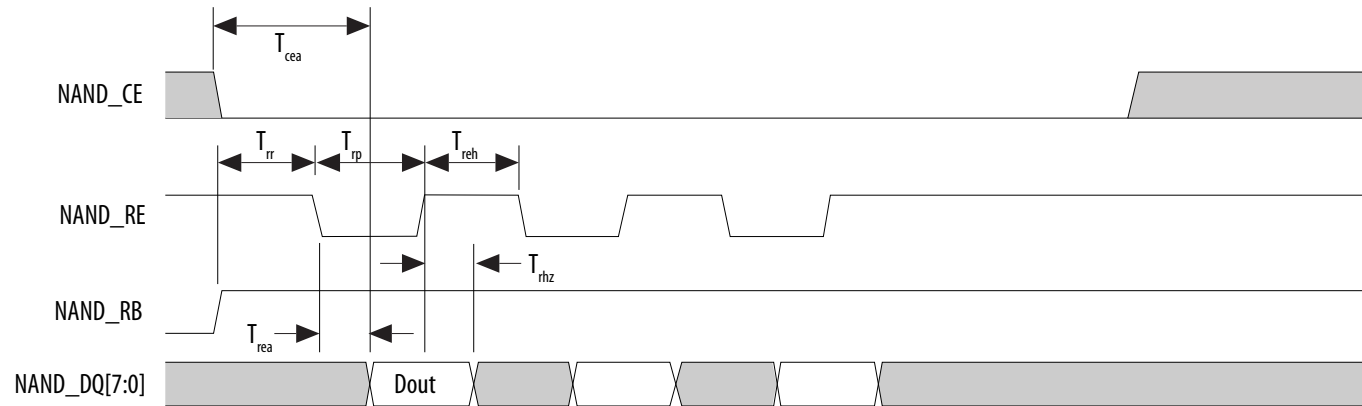


Figure 18. NAND Data Read Timing Diagram



## Arm Trace Timing Characteristics

Table 53. Arm Trace Timing Requirements for Cyclone V Devices

Most debugging tools have a mechanism to adjust the capture point of trace data.

| Description                     | Min  | Max | Unit |
|---------------------------------|------|-----|------|
| CLK clock period                | 12.5 | —   | ns   |
| CLK maximum duty cycle          | 45   | 55  | %    |
| CLK to D0 –D7 output data delay | –1   | 1   | ns   |

## UART Interface

The maximum UART baud rate is 6.25 megasymbols per second.

## GPIO Interface

The minimum detectable general-purpose I/O (GPIO) pulse width is 2  $\mu$ s. The pulse width is based on a debounce clock frequency of 1 MHz.

## CAN Interface

The maximum controller area network (CAN) data rate is 1 Mbps.

## HPS JTAG Timing Specifications

**Table 54. HPS JTAG Timing Parameters and Values for Cyclone V Devices**

| Symbol           | Description                              | Min | Max                | Unit |
|------------------|--|-----|--------------------|------|
| $t_{JCP}$        | TCK clock period                         | 30  | —                  | ns   |
| $t_{JCH}$        | TCK clock high time                      | 14  | —                  | ns   |
| $t_{JCL}$        | TCK clock low time                       | 14  | —                  | ns   |
| $t_{JPSU}$ (TDI) | TDI JTAG port setup time                 | 2   | —                  | ns   |
| $t_{JPSU}$ (TMS) | TMS JTAG port setup time                 | 3   | —                  | ns   |
| $t_{JPH}$        | JTAG port hold time                      | 5   | —                  | ns   |
| $t_{JPCO}$       | JTAG port clock to output                | —   | 12 <sup>(73)</sup> | ns   |
| $t_{JPZX}$       | JTAG port high impedance to valid output | —   | 14 <sup>(73)</sup> | ns   |
| $t_{JPXZ}$       | JTAG port valid output to high impedance | —   | 14 <sup>(73)</sup> | ns   |

## Configuration Specifications

This section provides configuration specifications and timing for Cyclone V devices.

<sup>(73)</sup> A 1-ns adder is required for each  $V_{CCIO\_HPS}$  voltage step down from 3.0 V. For example,  $t_{JPCO}$  = 13 ns if  $V_{CCIO\_HPS}$  of the TDO I/O bank = 2.5 V, or 14 ns if it equals 1.8 V.

## POR Specifications

**Table 55. Fast and Standard POR Delay Specification for Cyclone V Devices**

| POR Delay | Minimum | Maximum            | Unit |
|-----------|---------|--------------------|------|
| Fast      | 4       | 12 <sup>(74)</sup> | ms   |
| Standard  | 100     | 300                | ms   |

### Related Information

#### MSEL Pin Settings

Provides more information about POR delay based on MSEL pin settings for each configuration scheme.

## FPGA JTAG Configuration Timing

**Table 56. FPGA JTAG Timing Parameters and Values for Cyclone V Devices**

| Symbol                  | Description              | Min                     | Max | Unit |
|-------------------------|--------------------------|-------------------------|-----|------|
| t <sub>JCP</sub>        | TCK clock period         | 30, 167 <sup>(75)</sup> | —   | ns   |
| t <sub>JCH</sub>        | TCK clock high time      | 14                      | —   | ns   |
| t <sub>JCL</sub>        | TCK clock low time       | 14                      | —   | ns   |
| t <sub>JPSU (TDI)</sub> | TDI JTAG port setup time | 1                       | —   | ns   |
| t <sub>JPSU (TMS)</sub> | TMS JTAG port setup time | 3                       | —   | ns   |
| t <sub>JPH</sub>        | JTAG port hold time      | 5                       | —   | ns   |

*continued...*

<sup>(74)</sup> The maximum pulse width of the fast POR delay is 12 ms, providing enough time for the PCIe hard IP to initialize after the POR trip.

<sup>(75)</sup> The minimum TCK clock period is 167 ns if V<sub>CCBAT</sub> is within the range 1.2 V – 1.5 V when you perform the volatile key programming.

| Symbol            | Description                              | Min | Max                | Unit |
|-------------------|--|-----|--------------------|------|
| t <sub>JPCO</sub> | JTAG port clock to output                | —   | 11 <sup>(76)</sup> | ns   |
| t <sub>JPZX</sub> | JTAG port high impedance to valid output | —   | 14 <sup>(76)</sup> | ns   |
| t <sub>JPXZ</sub> | JTAG port valid output to high impedance | —   | 14 <sup>(76)</sup> | ns   |

## FPP Configuration Timing

### DCLK-to-DATA[ ] Ratio (r) for FPP Configuration

Fast passive parallel (FPP) configuration requires a different DCLK-to-DATA[ ] ratio when you turn on encryption or the compression feature.

Depending on the DCLK-to-DATA[ ] ratio, the host must send a DCLK frequency that is  $r$  times the DATA[ ] rate in byte per second (Bps) or word per second (Wps). For example, in FPP  $\times 16$  where the  $r$  is 2, the DCLK frequency must be 2 times the DATA[ ] rate in Wps.

Cyclone V devices use additional clock cycles to decrypt and decompress the configuration data. If the DCLK-to-DATA[ ] ratio is greater than 1, at the end of configuration, you can only stop the DCLK (DCLK-to-DATA[ ] ratio - 1) clock cycles after the last data is latched into the Cyclone V device.

**Table 57. DCLK-to-DATA[ ] Ratio for Cyclone V Devices**

The specifications in this table are not applicable to Cyclone V QS package.

| Configuration Scheme | Encryption | Compression | DCLK-to-DATA[ ] Ratio (r) |
|----------------------|------------|-------------|---------------------------|
| FPP (8-bit wide)     | Off        | Off         | 1                         |
|                      | On         | Off         | 1                         |
|                      | Off        | On          | 2                         |
|                      | On         | On          | 2                         |
| FPP (16-bit wide)    | Off        | Off         | 1                         |

*continued...*

<sup>(76)</sup> A 1-ns adder is required for each VCCIO voltage step down from 3.0 V. For example, t<sub>JPCO</sub> = 13 ns if VCCIO of the TDO I/O bank = 2.5 V, or 14 ns if it equals 1.8 V.

| Configuration Scheme | Encryption | Compression | DCLK-to-DATA[] Ratio (r) |
|----------------------|------------|-------------|--------------------------|
|                      | On         | Off         | 2                        |
|                      | Off        | On          | 4                        |
|                      | On         | On          | 4                        |

### FPP Configuration Timing when DCLK-to-DATA[] = 1

When you enable decompression or the design security feature, the DCLK-to-DATA[] ratio varies for FPP ×8 and FPP ×16. For the respective DCLK-to-DATA[] ratio, refer to the *DCLK-to-DATA[] Ratio for Cyclone V Devices* table.

**Table 58. FPP Timing Parameters When DCLK-to-DATA[] Ratio is 1 for Cyclone V Devices**

The specifications in this table are not applicable to Cyclone V QS package.

| Symbol                             | Parameter                                    | Minimum                   | Maximum              | Unit |
|------------------------------------|--|---------------------------|----------------------|------|
| t <sub>CF2CD</sub>                 | nCONFIG low to CONF_DONE low                 | —                         | 600                  | ns   |
| t <sub>CF2ST0</sub>                | nCONFIG low to nSTATUS low                   | —                         | 600                  | ns   |
| t <sub>CFG</sub>                   | nCONFIG low pulse width                      | 2                         | —                    | μs   |
| t <sub>STATUS</sub>                | nSTATUS low pulse width                      | 268                       | 1506 <sup>(77)</sup> | μs   |
| t <sub>CF2ST1</sub>                | nCONFIG high to nSTATUS high                 | —                         | 1506 <sup>(78)</sup> | μs   |
| t <sub>CF2CK</sub> <sup>(79)</sup> | nCONFIG high to first rising edge on DCLK    | 1506                      | —                    | μs   |
| t <sub>ST2CK</sub> <sup>(79)</sup> | nSTATUS high to first rising edge of DCLK    | 2                         | —                    | μs   |
| t <sub>DSU</sub>                   | DATA[] setup time before rising edge on DCLK | 5.5                       | —                    | ns   |
| t <sub>DH</sub>                    | DATA[] hold time after rising edge on DCLK   | 0                         | —                    | ns   |
| t <sub>CH</sub>                    | DCLK high time                               | 0.45 × 1/f <sub>MAX</sub> | —                    | s    |

*continued...*

<sup>(77)</sup> You can obtain this value if you do not delay configuration by extending the nCONFIG or the nSTATUS low pulse width.

<sup>(78)</sup> You can obtain this value if you do not delay configuration by externally holding the nSTATUS low.

<sup>(79)</sup> If nSTATUS is monitored, follow the t<sub>ST2CK</sub> specification. If nSTATUS is not monitored, follow the t<sub>CF2CK</sub> specification.

| Symbol              | Parameter   | Minimum  | Maximum | Unit   |
|---------------------|---|--|---------|--------|
| t <sub>CL</sub>     | DCLK low time   | $0.45 \times 1/f_{MAX}$                                  | —       | s      |
| t <sub>CLK</sub>    | DCLK period   | $1/f_{MAX}$  | —       | s      |
| f <sub>MAX</sub>    | DCLK frequency (FPP ×8/ ×16)                              | —  | 125     | MHz    |
| t <sub>CD2UM</sub>  | CONF_DONE high to user mode <sup>(80)</sup>               | 175  | 437     | μs     |
| t <sub>CD2CU</sub>  | CONF_DONE high to CLKUSR enabled                          | 4 × maximum DCLK period                                  | —       | —      |
| t <sub>CD2UMC</sub> | CONF_DONE high to user mode with CLKUSR option on         | t <sub>CD2CU</sub> + (T <sub>init</sub> × CLKUSR period) | —       | —      |
| T <sub>init</sub>   | Number of clock cycles required for device initialization | 8,576  | —       | Cycles |

#### Related Information

- [FPP Configuration Timing](#)  
Provides the FPP configuration timing waveforms.
- [DCLK-to-DATA\[\] Ratio \(r\) for FPP Configuration](#) on page 69

### FPP Configuration Timing when DCLK-to-DATA[] > 1

**Table 59. FPP Timing Parameters When DCLK-to-DATA[] Ratio is >1 for Cyclone V Devices**

The specifications in this table are not applicable to Cyclone V QS package.

Use these timing parameters when you use the decompression and design security features.

| Symbol              | Parameter                    | Minimum | Maximum              | Unit |
|---------------------|------------------------------|---------|----------------------|------|
| t <sub>CF2CD</sub>  | nCONFIG low to CONF_DONE low | —       | 600                  | ns   |
| t <sub>CF2ST0</sub> | nCONFIG low to nSTATUS low   | —       | 600                  | ns   |
| t <sub>CFG</sub>    | nCONFIG low pulse width      | 2       | —                    | μs   |
| t <sub>STATUS</sub> | nSTATUS low pulse width      | 268     | 1506 <sup>(81)</sup> | μs   |

*continued...*

<sup>(80)</sup> The minimum and maximum numbers apply only if you chose the internal oscillator as the clock source for initializing the device.

<sup>(81)</sup> This value can be obtained if you do not delay configuration by extending the nCONFIG or nSTATUS low pulse width.

| Symbol                      | Parameter   | Minimum  | Maximum              | Unit          |
|-----------------------------|---|--|----------------------|---------------|
| $t_{CF2ST1}$                | nCONFIG high to nSTATUS high                              | —  | 1506 <sup>(82)</sup> | $\mu\text{s}$ |
| $t_{CF2CK}$ <sup>(83)</sup> | nCONFIG high to first rising edge on DCLK                 | 1506   | —                    | $\mu\text{s}$ |
| $t_{ST2CK}$ <sup>(83)</sup> | nSTATUS high to first rising edge of DCLK                 | 2  | —                    | $\mu\text{s}$ |
| $t_{DSU}$                   | DATA[ ] setup time before rising edge on DCLK             | 5.5  | —                    | ns            |
| $t_{DH}$                    | DATA[ ] hold time after rising edge on DCLK               | $N - 1/f_{DCLK}$ <sup>(84)</sup>                     | —                    | s             |
| $t_{CH}$                    | DCLK high time  | $0.45 \times 1/f_{MAX}$                              | —                    | s             |
| $t_{CL}$                    | DCLK low time   | $0.45 \times 1/f_{MAX}$                              | —                    | s             |
| $t_{CLK}$                   | DCLK period   | $1/f_{MAX}$  | —                    | s             |
| $f_{MAX}$                   | DCLK frequency (FPP $\times 8/ \times 16$ )               | —  | 125                  | MHz           |
| $t_R$                       | Input rise time   | —  | 40                   | ns            |
| $t_F$                       | Input fall time   | —  | 40                   | ns            |
| $t_{CD2UM}$                 | CONF_DONE high to user mode <sup>(85)</sup>               | 175  | 437                  | $\mu\text{s}$ |
| $t_{CD2CU}$                 | CONF_DONE high to CLKUSR enabled                          | $4 \times \text{maximum DCLK period}$                | —                    | —             |
| $t_{CD2UMC}$                | CONF_DONE high to user mode with CLKUSR option on         | $t_{CD2CU} + (T_{init} \times \text{CLKUSR period})$ | —                    | —             |
| $T_{init}$                  | Number of clock cycles required for device initialization | 8,576  | —                    | Cycles        |

### Related Information

#### FPP Configuration Timing

Provides the FPP configuration timing waveforms.

<sup>(82)</sup> This value can be obtained if you do not delay configuration by externally holding nSTATUS low.

<sup>(83)</sup> If nSTATUS is monitored, follow the  $t_{ST2CK}$  specification. If nSTATUS is not monitored, follow the  $t_{CF2CK}$  specification.

<sup>(84)</sup>  $N$  is the DCLK-to-DATA[ ] ratio and  $f_{DCLK}$  is the DCLK frequency of the system.

<sup>(85)</sup> The minimum and maximum numbers apply only if you chose the internal oscillator as the clock source for initializing the device.

## Active Serial (AS) Configuration Timing

**Table 60. AS Timing Parameters for AS x1 and x4 Configurations in Cyclone V Devices (For Non Cyclone V QS Packages)**

The minimum and maximum numbers apply to both the internal oscillator and CLKUSR when either one is used as the clock source for device configuration.

The  $t_{CF2CD}$ ,  $t_{CF2ST0}$ ,  $t_{CFG}$ ,  $t_{STATUS}$ , and  $t_{CF2ST1}$  timing parameters are identical to the timing parameters for passive serial (PS) mode listed in *PS Timing Parameters for Cyclone V Devices* table. You can obtain the  $t_{CF2ST1}$  value if you do not delay configuration by externally holding  $nSTATUS$  low.

| Symbol                   | Parameter   | Condition             | Minimum  | Maximum | Unit   |
|--------------------------|---|-----------------------|--|---------|--------|
| $t_{CO}$ <sup>(86)</sup> | DCLK falling edge to the AS_DATA[3:0]/ASDO output         | —                     | —  | 2       | ns     |
| $t_{SU}$ <sup>(87)</sup> | Data setup time before the falling edge on DCLK           | —                     | 1.5  | —       | ns     |
| $t_{DH}$ <sup>(87)</sup> | Data hold time after the falling edge on DCLK             | -6 speed grade        | 2.3 <sup>(88)</sup>                                  | —       | ns     |
|                          |   | -7 or -8 speed grades | 2.9 <sup>(89)</sup> /2.7 <sup>(88)</sup>             | —       | ns     |
| $t_{CD2UM}$              | CONF_DONE high to user mode                               | —                     | 175  | 437     | μs     |
| $t_{CD2CU}$              | CONF_DONE high to CLKUSR enabled                          | —                     | 4 × maximum DCLK period                              | —       | —      |
| $t_{CD2UMC}$             | CONF_DONE high to user mode with CLKUSR option on         | —                     | $t_{CD2CU} + (T_{init} \times \text{CLKUSR period})$ | —       | —      |
| $T_{init}$               | Number of clock cycles required for device initialization | —                     | 8,576  | —       | Cycles |

<sup>(86)</sup> Load capacitance for DCLK = 6 pF and AS\_DATA/ASDO = 8 pF. Intel recommends obtaining the  $t_{CO}$  for a given link (including receiver, transmission lines, connectors, termination resistors, and other components) through IBIS or HSPICE simulation.

<sup>(87)</sup> To evaluate the data setup ( $t_{SU}$ ) and data hold time ( $t_{DH}$ ) slack on your board in order to ensure you are meeting the  $t_{SU}$  and  $t_{DH}$  requirement, Intel recommends following the guideline in the "Evaluating Data Setup and Hold Timing Slack" chapter in *AN822: Intel FPGA Configuration Device Migration Guideline*.

<sup>(88)</sup> Specification for the commercial grade devices.

<sup>(89)</sup> Specification for the industrial and automotive grade devices.

**Table 61. AS Timing Parameters for AS x1 and x4 Configurations in Cyclone V Devices (For Cyclone V QS Package)**

The minimum and maximum numbers apply to both the internal oscillator and CLKUSR when either one is used as the clock source for device configuration.

The  $t_{CF2CD}$ ,  $t_{CF2ST0}$ ,  $t_{CFG}$ ,  $t_{STATUS}$ , and  $t_{CF2ST1}$  timing parameters are identical to the timing parameters for passive serial (PS) mode listed in *PS Timing Parameters for Cyclone V Devices* table. You can obtain the  $t_{CF2ST1}$  value if you do not delay configuration by externally holding  $nSTATUS$  low.

| Symbol       | Parameter   | Condition             | Minimum  | Maximum | Unit   |
|--------------|---|-----------------------|--|---------|--------|
| $t_{CO}$     | DCLK falling edge to the AS_DATA[3:0]/ASDO output         | —                     | -1.3   | 0       | ns     |
| $t_{SU}$     | Data setup time before the falling edge on DCLK           | —                     | 2.9  | —       | ns     |
| $t_{DH}$     | Data hold time after the falling edge on DCLK             | -6 speed grade        | 0.5 <sup>(88)</sup>                                  | —       | ns     |
|              |   | -7 or -8 speed grades | 1.3 <sup>(90)</sup> /1.1 <sup>(88)</sup>             | —       | ns     |
| $t_{CD2UM}$  | CONF_DONE high to user mode                               | —                     | 175  | 437     | μs     |
| $t_{CD2CU}$  | CONF_DONE high to CLKUSR enabled                          | —                     | 4 × maximum DCLK period                              | —       | —      |
| $t_{CD2UMC}$ | CONF_DONE high to user mode with CLKUSR option on         | —                     | $t_{CD2CU} + (T_{init} \times \text{CLKUSR period})$ | —       | —      |
| $T_{init}$   | Number of clock cycles required for device initialization | —                     | 8,576  | —       | Cycles |

### Related Information

- [Passive Serial \(PS\) Configuration Timing](#) on page 75
- [AS Configuration Timing](#)  
Provides the AS configuration timing waveform.
- [Evaluating Data Setup and Hold Timing Slack](#) chapter, AN822: Intel FPGA Configuration Device Migration Guideline

<sup>(90)</sup> Specification for the industrial grade devices.

## DCLK Frequency Specification in the AS Configuration Scheme

**Table 62. DCLK Frequency Specification in the AS Configuration Scheme**

The specifications in this table are applicable to both Cyclone V QS and non QS packages.

This table lists the internal clock frequency specification for the AS configuration scheme. The DCLK frequency specification applies when you use the internal oscillator as the configuration clock source. The AS multi-device configuration scheme does not support DCLK frequency of 100 MHz.

| Parameter                                 | Minimum | Typical | Maximum | Unit |
|---|---------|---------|---------|------|
| DCLK frequency in AS configuration scheme | 5.3     | 7.9     | 12.5    | MHz  |
|   | 10.6    | 15.7    | 25.0    | MHz  |
|   | 21.3    | 31.4    | 50.0    | MHz  |
|   | 42.6    | 62.9    | 100.0   | MHz  |

## Passive Serial (PS) Configuration Timing

**Table 63. PS Timing Parameters for Cyclone V Devices**

The specifications in this table are not applicable to Cyclone V QS package.

| Symbol                             | Parameter                                 | Minimum | Maximum              | Unit |
|------------------------------------|---|---------|----------------------|------|
| t <sub>CF2CD</sub>                 | nCONFIG low to CONF_DONE low              | —       | 600                  | ns   |
| t <sub>CF2ST0</sub>                | nCONFIG low to nSTATUS low                | —       | 600                  | ns   |
| t <sub>CFG</sub>                   | nCONFIG low pulse width                   | 2       | —                    | μs   |
| t <sub>STATUS</sub>                | nSTATUS low pulse width                   | 268     | 1506 <sup>(91)</sup> | μs   |
| t <sub>CF2ST1</sub>                | nCONFIG high to nSTATUS high              | —       | 1506 <sup>(92)</sup> | μs   |
| t <sub>CF2CK</sub> <sup>(93)</sup> | nCONFIG high to first rising edge on DCLK | 1506    | —                    | μs   |

*continued...*

<sup>(91)</sup> You can obtain this value if you do not delay configuration by extending the nCONFIG or nSTATUS low pulse width.

<sup>(92)</sup> You can obtain this value if you do not delay configuration by externally holding nSTATUS low.

<sup>(93)</sup> If nSTATUS is monitored, follow the t<sub>ST2CK</sub> specification. If nSTATUS is not monitored, follow the t<sub>CF2CK</sub> specification.

| Symbol                             | Parameter   | Minimum  | Maximum | Unit   |
|------------------------------------|---|--|---------|--------|
| t <sub>ST2CK</sub> <sup>(93)</sup> | nSTATUS high to first rising edge of DCLK                 | 2  | —       | μs     |
| t <sub>DSU</sub>                   | DATA[ ] setup time before rising edge on DCLK             | 5.5  | —       | ns     |
| t <sub>DH</sub>                    | DATA[ ] hold time after rising edge on DCLK               | 0  | —       | ns     |
| t <sub>CH</sub>                    | DCLK high time  | $0.45 \times 1/f_{MAX}$                                  | —       | s      |
| t <sub>CL</sub>                    | DCLK low time   | $0.45 \times 1/f_{MAX}$                                  | —       | s      |
| t <sub>CLK</sub>                   | DCLK period   | $1/f_{MAX}$  | —       | s      |
| f <sub>MAX</sub>                   | DCLK frequency  | —  | 125     | MHz    |
| t <sub>CD2UM</sub>                 | CONF_DONE high to user mode <sup>(94)</sup>               | 175  | 437     | μs     |
| t <sub>CD2CU</sub>                 | CONF_DONE high to CLKUSR enabled                          | 4 × maximum DCLK period                                  | —       | —      |
| t <sub>CD2UMC</sub>                | CONF_DONE high to user mode with CLKUSR option on         | t <sub>CD2CU</sub> + (T <sub>init</sub> × CLKUSR period) | —       | —      |
| T <sub>init</sub>                  | Number of clock cycles required for device initialization | 8,576  | —       | Cycles |

### Related Information

#### PS Configuration Timing

Provides the PS configuration timing waveform.

<sup>(94)</sup> The minimum and maximum numbers apply only if you chose the internal oscillator as the clock source for initializing the device.

## Initialization

**Table 64. Initialization Clock Source Option and the Maximum Frequency for Cyclone V Devices**

| Initialization Clock Source | Configuration Scheme | Maximum Frequency (MHz) | Minimum Number of Clock Cycles |
|-----------------------------|----------------------|-------------------------|--------------------------------|
| Internal Oscillator         | AS, PS, and FPP      | 12.5                    | T <sub>init</sub>              |
| CLKUSR <sup>(95)</sup>      | PS and FPP           | 125                     |                                |
|                             | AS                   | 100                     |                                |
| DCLK                        | PS and FPP           | 125                     |                                |

## Configuration Files

**Table 65. Uncompressed .rbf Sizes for Cyclone V Devices**

Use this table to estimate the file size before design compilation. Different configuration file formats, such as a hexadecimal file (.hex) or tabular text file (.ttf) format, have different file sizes.

For the different types of configuration file and file sizes, refer to the Intel Quartus Prime software. However, for a specific version of the Intel Quartus Prime software, any design targeted for the same device has the same uncompressed configuration file size.

The IOCSR raw binary file (.rbf) size is specifically for the Configuration via Protocol (CvP) feature.

| Variant                     | Member Code | Configuration .rbf Size (bits) | IOCSR .rbf Size (bits) | Recommended EPCQ Serial Configuration Device <sup>(96)</sup> |
|-----------------------------|-------------|--------------------------------|------------------------|--|
| Cyclone V E <sup>(97)</sup> | A2          | 21,061,280                     | 275,608                | EPCQ64   |
|                             | A4          | 21,061,280                     | 275,608                | EPCQ64   |
|                             | A5          | 33,958,560                     | 322,072                | EPCQ128  |
|                             | A7          | 56,167,552                     | 435,288                | EPCQ128  |

*continued...*

- <sup>(95)</sup> To enable CLKUSR as the initialization clock source, turn on the **Enable user-supplied start-up clock (CLKUSR)** option in the Intel Quartus Prime software from the **General** panel of the **Device and Pin Options** dialog box.
- <sup>(96)</sup> The recommended EPCQ serial configuration devices are able to store more than one image.
- <sup>(97)</sup> No PCIe hard IP, configuration via protocol (CvP) is not supported in this family.

| Variant                      | Member Code | Configuration .rbf Size (bits) | IOCSR .rbf Size (bits) | Recommended EPCQ Serial Configuration Device <sup>(96)</sup> |
|------------------------------|-------------|--------------------------------|------------------------|--|
|                              | A9          | 102,871,776                    | 400,408                | EPCQ256  |
| Cyclone V GX                 | C3          | 14,510,912                     | 320,280                | EPCQ32   |
|                              | C4          | 33,958,560                     | 322,072                | EPCQ128  |
|                              | C5          | 33,958,560                     | 322,072                | EPCQ128  |
|                              | C7          | 56,167,552                     | 435,288                | EPCQ128  |
|                              | C9          | 102,871,776                    | 400,408                | EPCQ256  |
| Cyclone V GT                 | D5          | 33,958,560                     | 322,072                | EPCQ128  |
|                              | D7          | 56,167,552                     | 435,288                | EPCQ128  |
|                              | D9          | 102,871,776                    | 400,408                | EPCQ256  |
| Cyclone V SE <sup>(97)</sup> | A2          | 33,958,560                     | 322,072                | EPCQ128  |
|                              | A4          | 33,958,560                     | 322,072                | EPCQ128  |
|                              | A5          | 56,057,632                     | 324,888                | EPCQ128  |
|                              | A6          | 56,057,632                     | 324,888                | EPCQ128  |
| Cyclone V SX                 | C2          | 33,958,560                     | 322,072                | EPCQ128  |
|                              | C4          | 33,958,560                     | 322,072                | EPCQ128  |
|                              | C5          | 56,057,632                     | 324,888                | EPCQ128  |
|                              | C6          | 56,057,632                     | 324,888                | EPCQ128  |
| Cyclone V ST                 | D5          | 56,057,632                     | 324,888                | EPCQ128  |
|                              | D6          | 56,057,632                     | 324,888                | EPCQ128  |

<sup>(96)</sup> The recommended EPCQ serial configuration devices are able to store more than one image.

## Minimum Configuration Time Estimation

**Table 66. Minimum Configuration Time Estimation for Cyclone V Devices**

The estimated values are based on the configuration .rbf sizes in *Uncompressed .rbf Sizes for Cyclone V Devices* table.

| Variant      | Member Code | Active Serial <sup>(98)</sup> |            |                                 | Fast Passive Parallel <sup>(99)</sup> |            |                                 |
|--------------|-------------|-------------------------------|------------|---------------------------------|---------------------------------------|------------|---------------------------------|
|              |             | Width                         | DCLK (MHz) | Minimum Configuration Time (ms) | Width                                 | DCLK (MHz) | Minimum Configuration Time (ms) |
| Cyclone V E  | A2          | 4                             | 100        | 53                              | 16                                    | 125        | 11                              |
|              | A4          | 4                             | 100        | 53                              | 16                                    | 125        | 11                              |
|              | A5          | 4                             | 100        | 85                              | 16                                    | 125        | 17                              |
|              | A7          | 4                             | 100        | 140                             | 16                                    | 125        | 28                              |
|              | A9          | 4                             | 100        | 257                             | 16                                    | 125        | 51                              |
| Cyclone V GX | C3          | 4                             | 100        | 36                              | 16                                    | 125        | 7                               |
|              | C4          | 4                             | 100        | 85                              | 16                                    | 125        | 17                              |
|              | C5          | 4                             | 100        | 85                              | 16                                    | 125        | 17                              |
|              | C7          | 4                             | 100        | 140                             | 16                                    | 125        | 28                              |
|              | C9          | 4                             | 100        | 257                             | 16                                    | 125        | 51                              |
| Cyclone V GT | D5          | 4                             | 100        | 85                              | 16                                    | 125        | 17                              |
|              | D7          | 4                             | 100        | 140                             | 16                                    | 125        | 28                              |
|              | D9          | 4                             | 100        | 257                             | 16                                    | 125        | 51                              |
| Cyclone V SE | A2          | 4                             | 100        | 85                              | 16                                    | 125        | 17                              |
|              | A4          | 4                             | 100        | 85                              | 16                                    | 125        | 17                              |
|              | A5          | 4                             | 100        | 140                             | 16                                    | 125        | 28                              |
|              | A6          | 4                             | 100        | 140                             | 16                                    | 125        | 28                              |

*continued...*

<sup>(98)</sup> DCLK frequency of 100 MHz using external CLKUSR.

<sup>(99)</sup> Maximum FPGA FPP bandwidth may exceed bandwidth available from some external storage or control logic.

| Variant      | Member Code | Active Serial <sup>(98)</sup> |            |                                 | Fast Passive Parallel <sup>(99)</sup> |            |                                 |
|--------------|-------------|-------------------------------|------------|---------------------------------|---------------------------------------|------------|---------------------------------|
|              |             | Width                         | DCLK (MHz) | Minimum Configuration Time (ms) | Width                                 | DCLK (MHz) | Minimum Configuration Time (ms) |
| Cyclone V SX | C2          | 4                             | 100        | 85                              | 16                                    | 125        | 17                              |
|              | C4          | 4                             | 100        | 85                              | 16                                    | 125        | 17                              |
|              | C5          | 4                             | 100        | 140                             | 16                                    | 125        | 28                              |
|              | C6          | 4                             | 100        | 140                             | 16                                    | 125        | 28                              |
| Cyclone V ST | D5          | 4                             | 100        | 140                             | 16                                    | 125        | 28                              |
|              | D6          | 4                             | 100        | 140                             | 16                                    | 125        | 28                              |

**Related Information**

[Configuration Files](#) on page 77

## Remote System Upgrades

**Table 67. Remote System Upgrade Circuitry Timing Specifications for Cyclone V Devices**

| Parameter                  | Minimum | Unit |
|----------------------------|---------|------|
| $t_{RU\_nCONFIG}^{(100)}$  | 250     | ns   |
| $t_{RU\_nRSTIMER}^{(101)}$ | 250     | ns   |

<sup>(98)</sup> DCLK frequency of 100 MHz using external CLKUSR.

<sup>(99)</sup> Maximum FPGA FPP bandwidth may exceed bandwidth available from some external storage or control logic.

<sup>(100)</sup> This is equivalent to strobing the reconfiguration input of the Remote Update Intel FPGA IP core high for the minimum timing specification.

<sup>(101)</sup> This is equivalent to strobing the reset timer input of the Remote Update Intel FPGA IP core high for the minimum timing specification.

### Related Information

- [Remote System Upgrade State Machine](#)  
Provides more information about configuration reset (RU\_CONFIG) signal.
- [User Watchdog Timer](#)  
Provides more information about reset\_timer (RU\_nRSTIMER) signal.

## User Watchdog Internal Oscillator Frequency Specifications

**Table 68. User Watchdog Internal Oscillator Frequency Specifications for Cyclone V Devices**

| Parameter                                   | Minimum | Typical | Maximum | Unit |
|---|---------|---------|---------|------|
| User watchdog internal oscillator frequency | 5.3     | 7.9     | 12.5    | MHz  |

## I/O Timing

Intel offers two ways to determine I/O timing—the Excel-based I/O timing and the Intel Quartus Prime Timing Analyzer.

Excel-based I/O timing provides pin timing performance for each device density and speed grade. The data is typically used prior to designing the FPGA to get an estimate of the timing budget as part of the link timing analysis.

The Intel Quartus Prime Timing Analyzer provides a more accurate and precise I/O timing data based on the specifics of the design after you complete place-and-route.

### Related Information

[Cyclone V I/O Timing Spreadsheet](#)

Provides the Cyclone V Excel-based I/O timing spreadsheet.

## Programmable IOE Delay

**Table 69. I/O element (IOE) Programmable Delay for Cyclone V Devices**

| Parameter <sup>(102)</sup> | Available Settings | Minimum Offset <sup>(103)</sup> | Fast Model |            | Slow Model |       |       |       |       | Unit |
|----------------------------|--------------------|---------------------------------|------------|------------|------------|-------|-------|-------|-------|------|
|                            |                    |                                 | Industrial | Commercial | -C6        | -C7   | -C8   | -I7   | -A7   |      |
| D1                         | 32                 | 0                               | 0.508      | 0.517      | 0.971      | 1.187 | 1.194 | 1.179 | 1.160 | ns   |
| D3                         | 8                  | 0                               | 1.761      | 1.793      | 3.291      | 4.022 | 3.961 | 3.999 | 3.929 | ns   |
| D4                         | 32                 | 0                               | 0.510      | 0.519      | 1.180      | 1.187 | 1.195 | 1.180 | 1.160 | ns   |
| D5                         | 32                 | 0                               | 0.508      | 0.517      | 0.970      | 1.186 | 1.194 | 1.179 | 1.179 | ns   |

## Programmable Output Buffer Delay

**Table 70. Programmable Output Buffer Delay for Cyclone V Devices**

This table lists the delay chain settings that control the rising and falling edge delays of the output buffer.

You can set the programmable output buffer delay in the Intel Quartus Prime software by setting the **Output Buffer Delay Control** assignment to either positive, negative, or both edges, with the specific values stated here (in ps) for the **Output Buffer Delay** assignment.

| Symbol              | Parameter                        | Typical     | Unit |
|---------------------|----------------------------------|-------------|------|
| D <sub>OUTBUF</sub> | Rising and/or falling edge delay | 0 (default) | ps   |
|                     |                                  | 50          | ps   |
|                     |                                  | 100         | ps   |
|                     |                                  | 150         | ps   |

<sup>(102)</sup> You can set this value in the Intel Quartus Prime software by selecting **D1**, **D3**, **D4**, and **D5** in the **Assignment Name** column of **Assignment Editor**.

<sup>(103)</sup> Minimum offset does not include the intrinsic delay.

## Glossary

Table 71. Glossary

| Term                       | Definition  |
|----------------------------|---|
| Differential I/O standards | <p>Receiver Input Waveforms</p> <p><b>Single-Ended Waveform</b></p> <p>Positive Channel (p) = <math>V_{IH}</math><br/>           Negative Channel (n) = <math>V_{IL}</math><br/>           Ground</p> <p><b>Differential Waveform</b></p> <p>Transmitter Output Waveforms</p> <p style="text-align: right;"><i>continued...</i></p> |

| Term                       | Definition  |
|----------------------------|---|
|                            | <p><b>Single-Ended Waveform</b></p>  <p><b>Differential Waveform</b></p>  |
| $f_{\text{HCLK}}$          | Left/right PLL input clock frequency.   |
| $f_{\text{HSDR}}$          | High-speed I/O block—Maximum/minimum LVDS data transfer rate ( $f_{\text{HSDR}} = 1/\text{TUI}$ ).  |
| J                          | High-speed I/O block—Deserialization factor (width of parallel data bus).   |
| JTAG timing specifications | JTAG Timing Specifications  |

*continued...*

| Term               | Definition   |
|--------------------|--|
|                    | <p>The diagram illustrates the timing relationships between TMS, TDI, TCK, and TDO signals. TMS and TDI are shown as high-frequency signals. TCK is a clock signal with several cycles. TDO is a data signal that is sampled during the high phase of TCK. The timing parameters are defined as follows:</p> <ul style="list-style-type: none"> <li><math>t_{JCP}</math>: Time from the start of a TCK high phase to the start of a TDO data capture window.</li> <li><math>t_{JCH}</math>: Time from the start of a TCK high phase to the start of a TDO data capture window.</li> <li><math>t_{JCL}</math>: Time from the start of a TCK high phase to the end of a TDO data capture window.</li> <li><math>t_{JPSU}</math>: Time from the start of a TCK high phase to the start of a TDO data capture window.</li> <li><math>t_{JPH}</math>: Time from the start of a TCK high phase to the end of a TDO data capture window.</li> <li><math>t_{JPZX}</math>: Time from the start of a TCK high phase to the start of a TDO data capture window.</li> <li><math>t_{JPCO}</math>: Time from the start of a TCK high phase to the start of a TDO data capture window.</li> </ul> |
| PLL specifications | Diagram of PLL specifications <span style="float: right;"><i>continued...</i></span>   |

| Term                 | Definition  |
|----------------------|---|
|                      | <p>Legend<br/> <span style="background-color: #ADD8E6; border: 1px solid black; display: inline-block; width: 15px; height: 10px; vertical-align: middle;"></span> Reconfigurable in User Mode</p> <p>Note:<br/>           (1) Core Clock can only be fed by dedicated clock input pins or PLL outputs.</p> |
| R <sub>L</sub>       | Receiver differential input discrete resistor (external to the Cyclone V device).   |
| Sampling window (SW) | <p>Timing diagram—The period of time during which the data must be valid in order to capture it correctly. The setup and hold times determine the ideal strobe position in the sampling window, as shown:</p>   |

*continued...*

| Term   | Definition   |
|--|--|
| Single-ended voltage referenced I/O standard | <p>The JEDEC standard for the SSTL and HSTL I/O defines both the AC and DC input signal values. The AC values indicate the voltage levels at which the receiver must meet its timing specifications. The DC values indicate the voltage levels at which the final logic state of the receiver is unambiguously defined. After the receiver input has crossed the AC value, the receiver changes to the new logic state. The new logic state is then maintained as long as the input stays beyond the DC threshold. This approach is intended to provide predictable receiver timing in the presence of input waveform ringing.</p> <p>Single-Ended Voltage Referenced I/O Standard</p> |
| $t_c$  | High-speed receiver/transmitter input and output clock period.   |
| TCCS (channel-to-channel-skew)               | The timing difference between the fastest and slowest output edges, including the $t_{CO}$ variation and clock skew, across channels driven by the same PLL. The clock is included in the TCCS measurement (refer to the Timing Diagram figure under SW in this table).  |
| $t_{DUTY}$                                   | High-speed I/O block—Duty cycle on high-speed transmitter output clock.  |
| $t_{FALL}$                                   | Signal high-to-low transition time (80–20%)  |
| $t_{INCCJ}$                                  | Cycle-to-cycle jitter tolerance on the PLL clock input   |

*continued...*

| Term                       | Definition  |
|----------------------------|---|
| $t_{\text{OUTPJ\_IO}}$     | Period jitter on the GPIO driven by a PLL   |
| $t_{\text{OUTPJ\_DC}}$     | Period jitter on the dedicated clock output driven by a PLL   |
| $t_{\text{RISE}}$          | Signal low-to-high transition time (20–80%)   |
| Timing Unit Interval (TUI) | The timing budget allowed for skew, propagation delays, and the data sampling window. (TUI = 1/(Receiver Input Clock Frequency Multiplication Factor) = $t_C/w$ )     |
| $V_{\text{CM(DC)}}$        | DC common mode input voltage.   |
| $V_{\text{ICM}}$           | Input common mode voltage—The common mode of the differential signal at the receiver.   |
| $V_{\text{ID}}$            | Input differential voltage swing—The difference in voltage between the positive and complementary conductors of a differential transmission at the receiver.          |
| $V_{\text{DIF(AC)}}$       | AC differential input voltage—Minimum AC input differential voltage required for switching.   |
| $V_{\text{DIF(DC)}}$       | DC differential input voltage— Minimum DC input differential voltage required for switching.  |
| $V_{\text{IH}}$            | Voltage input high—The minimum positive voltage applied to the input which is accepted by the device as a logic high.   |
| $V_{\text{IH(AC)}}$        | High-level AC input voltage   |
| $V_{\text{IH(DC)}}$        | High-level DC input voltage   |
| $V_{\text{IL}}$            | Voltage input low—The maximum positive voltage applied to the input which is accepted by the device as a logic low.   |
| $V_{\text{IL(AC)}}$        | Low-level AC input voltage  |
| $V_{\text{IL(DC)}}$        | Low-level DC input voltage  |
| $V_{\text{OCM}}$           | Output common mode voltage—The common mode of the differential signal at the transmitter.   |
| $V_{\text{OD}}$            | Output differential voltage swing—The difference in voltage between the positive and complementary conductors of a differential transmission line at the transmitter. |
| $V_{\text{SWING}}$         | Differential input voltage  |
| $V_{\text{X}}$             | Input differential cross point voltage  |
| $V_{\text{OX}}$            | Output differential cross point voltage   |
| $W$                        | High-speed I/O block—Clock boost factor   |

## Document Revision History for Cyclone V Device Datasheet

| Document Version | Changes  |
|------------------|--|
| 2019.11.27       | <ul style="list-style-type: none"> <li>• Updated <math>t_{CO}</math> parameter in the <i>AS Timing Parameters for AS <math>\times 1</math> and <math>\times 4</math> Configurations in Cyclone V Devices (For Non Cyclone V QS Packages)</i> table.</li> <li>• Added active serial (AS) configuration timing for Cyclone V QS package.</li> <li>• Added a note to indicate that the specifications are not applicable to Cyclone V QS package in the following tables:               <ul style="list-style-type: none"> <li>– <i>DCLK-to-DATA[<math>\bar{}</math>] Ratio for Cyclone V Devices</i></li> <li>– <i>FPP Timing Parameters When DCLK-to-DATA[<math>\bar{}</math>] Ratio is 1 for Cyclone V Devices</i></li> <li>– <i>FPP Timing Parameters When DCLK-to-DATA[<math>\bar{}</math>] Ratio is <math>&gt;1</math> for Cyclone V Devices</i></li> <li>– <i>PS Timing Parameters for Cyclone V Devices</i></li> </ul> </li> <li>• Added a note to indicate that the specifications are applicable to both Cyclone V QS and non QS packages in the <i>DCLK Frequency Specification in the AS Configuration Scheme</i> table.</li> </ul>                 |
| 2019.01.25       | <ul style="list-style-type: none"> <li>• Changed "VCO post-scale counter <math>\bar{K}</math> value" to "VCO post divider value" in the <math>f_{VCO}</math> note in the <i>PLL Specifications for Cyclone V Devices</i> table.</li> <li>• Updated the <i>AS Timing Parameters for AS <math>\times 1</math> and <math>\times 4</math> Configurations in Cyclone V Devices</i> table.               <ul style="list-style-type: none"> <li>– Updated <math>t_{DH}</math> specifications. These specifications are applicable to the commercial, industrial, and automotive grade devices.</li> <li>– Added note to <math>t_{CO}</math> and <math>t_{SU}</math>.</li> </ul> </li> </ul>  |
| 2018.05.07       | <ul style="list-style-type: none"> <li>• Added description about the low-power option ("L" suffix) for Cyclone V SE and SX devices.</li> <li>• Added the <i>Cyclone V Devices Overshoot Duration</i> diagram.</li> <li>• Removed the description on SD/MMC interface calibration support in the <i>Secure Digital (SD)/MultiMediaCard (MMC) Timing Requirements for Cyclone V Devices</i> table. This feature is currently supported in the preloader.</li> <li>• Removed the note to Cyclone V SE A2 and A4 devices, and Cyclone V SX C2 and C4 devices in the <i>Uncompressed .rbf Sizes for Cyclone V Devices</i> table. These devices are currently supported in the Intel Quartus Prime software.</li> <li>• Removed PowerPlay text from tool name.</li> <li>• Updated the IP name from ALTREMOTE_UPDATE to Remote Update Intel FPGA IP.</li> <li>• Rebranded as Intel.</li> <li>• Added the Low Power Variants table and the estimating power consumption steps to the "Cyclone V Device Datasheet" Overview section.</li> <li>• Updated the minimum value for <math>t_{DH}</math> to 2.5 for -6 speed grade/2.9 for -7 and -8 speed grade.</li> </ul> |

| Date          | Version    | Changes  |
|---------------|------------|--|
| December 2016 | 2016.12.09 | <ul style="list-style-type: none"> <li>• Updated <math>V_{ICM}</math> (AC coupled) specifications for 1.5 V PCML in Receiver Specifications for Cyclone V GX, GT, SX, and ST Devices table.</li> <li>• Added maximum specification for <math>T_d</math> in Management Data Input/Output (MDIO) Timing Requirements for Cyclone V Devices table.</li> <li>• Updated <math>T_{init}</math> specifications in the following tables:               <ul style="list-style-type: none"> <li>– FPP Timing Parameters When DCLK-to-DATA[] Ratio is 1 for Cyclone V Devices</li> <li>– FPP Timing Parameters When DCLK-to-DATA[] Ratio is &gt;1 for Cyclone V Devices</li> <li>– AS Timing Parameters for AS <math>\times 1</math> and <math>\times 4</math> Configurations in Cyclone V Devices</li> <li>– PS Timing Parameters for Cyclone V Devices</li> </ul> </li> </ul>   |
| June 2016     | 2016.06.10 | <ul style="list-style-type: none"> <li>• Changed pin capacitance to maximum values.</li> <li>• Updated SPI Master Timing Requirements for Cyclone V Devices table.               <ul style="list-style-type: none"> <li>– Added <math>T_{su}</math> and <math>T_h</math> specifications.</li> <li>– Removed <math>T_{dinmax}</math> specifications.</li> </ul> </li> <li>• Updated SPI Master Timing Diagram.</li> <li>• Updated <math>T_{clk}</math> spec from maximum to minimum in I<sup>2</sup>C Timing Requirements for Cyclone V Devices table.</li> </ul>   |
| December 2015 | 2015.12.04 | <ul style="list-style-type: none"> <li>• Updated Quad Serial Peripheral Interface (SPI) Flash Timing Requirements for Cyclone V Devices table.               <ul style="list-style-type: none"> <li>– Updated <math>F_{clk}</math>, <math>T_{duty}</math>, and <math>T_{dssfrst}</math> specifications.</li> <li>– Added <math>T_{qspl\_clk}</math>, <math>T_{din\_start}</math>, and <math>T_{din\_end}</math> specifications.</li> <li>– Removed <math>T_{dinmax}</math> specifications.</li> </ul> </li> <li>• Updated the minimum specification for <math>T_{clk}</math> to 16.67 ns and removed the maximum specification in SPI Master Timing Requirements for Cyclone V Devices table.</li> <li>• Updated Secure Digital (SD)/MultiMediaCard (MMC) Timing Requirements for Cyclone V Devices table.               <ul style="list-style-type: none"> <li>– Updated <math>T_{clk}</math> to <math>T_{sdmmc\_clk\_out}</math> symbol.</li> <li>– Updated <math>T_{sdmmc\_clk\_out}</math> and <math>T_d</math> specifications.</li> <li>– Added <math>T_{sdmmc\_clk}</math>, <math>T_{su}</math>, and <math>T_h</math> specifications.</li> <li>– Removed <math>T_{dinmax}</math> specifications.</li> </ul> </li> <li>• Updated the following diagrams:               <ul style="list-style-type: none"> <li>– Quad SPI Flash Timing Diagram</li> <li>– SD/MMC Timing Diagram</li> </ul> </li> <li>• Updated configuration .rbf sizes for Cyclone V devices.</li> <li>• Changed instances of <i>Quartus II</i> to <i>Quartus Prime</i>.</li> </ul> |

**continued...**

| Date         | Version    | Changes   |
|--------------|------------|---|
| June 2015    | 2015.06.12 | <ul style="list-style-type: none"> <li>• Updated the supported data rates for the following output standards using true LVDS output buffer types in the High-Speed I/O Specifications for Cyclone V Devices table:               <ul style="list-style-type: none"> <li>— True RSDS output standard: data rates of up to 360 Mbps</li> <li>— True mini-LVDS output standard: data rates of up to 400 Mbps</li> </ul> </li> <li>• Changed Queued Serial Peripheral Interface (QSPI) to Quad Serial Peripheral Interface (SPI) Flash.</li> <li>• Updated <math>T_h</math> location in I<sup>2</sup>C Timing Diagram.</li> <li>• Updated <math>T_{wp}</math> location in NAND Address Latch Timing Diagram.</li> <li>• Updated the maximum value for <math>t_{CO}</math> from 4 ns to 2 ns in AS Timing Parameters for AS <math>\times 1</math> and <math>\times 4</math> Configurations in Cyclone V Devices table.</li> <li>• Moved the following timing diagrams to the Configuration, Design Security, and Remote System Upgrades in Cyclone V Devices chapter.               <ul style="list-style-type: none"> <li>— FPP Configuration Timing Waveform When DCLK-to-DATA[] Ratio is 1</li> <li>— FPP Configuration Timing Waveform When DCLK-to-DATA[] Ratio is <math>&gt;1</math></li> <li>— AS Configuration Timing Waveform</li> <li>— PS Configuration Timing Waveform</li> </ul> </li> </ul>  |
| March 2015   | 2015.03.31 | <ul style="list-style-type: none"> <li>• Added <math>V_{CC}</math> specifications for devices with internal scrubbing feature (with SC suffix) in Recommended Operating Conditions table.</li> <li>• Corrected the unit for <math>t_{DH}</math> from ns to s in FPP Timing Parameters When DCLK-to-DATA[] Ratio is <math>&gt;1</math> for Cyclone V Devices table.</li> </ul>   |
| January 2015 | 2015.01.23 | <ul style="list-style-type: none"> <li>• Updated the transceiver specification for Cyclone V ST from 5 Gbps to 6.144 Gbps. Updated the note in the following tables:               <ul style="list-style-type: none"> <li>— Transceiver Power Supply Operating Conditions for Cyclone V GX, GT, SX, and ST Devices</li> <li>— Transceiver Specifications for Cyclone V GX, GT, SX, and ST Devices</li> <li>— Transceiver Compliance Specification for All Supported Protocol for Cyclone V Devices</li> </ul> </li> <li>• Updated the description for <math>V_{CC\_AUX\_SHARED}</math> to "HPS auxiliary power supply". Added a note to state that <math>V_{CC\_AUX\_SHARED}</math> must be powered by the same source as <math>V_{CC\_AUX}</math> for Cyclone V SX C5, C6, D5, and D6 devices, and Cyclone V SE A5 and A6 devices. Updated in the following tables:               <ul style="list-style-type: none"> <li>— Absolute Maximum Ratings for Cyclone V Devices</li> <li>— HPS Power Supply Operating Conditions for Cyclone V SE, SX, and ST Devices</li> </ul> </li> <li>• Added statement in I/O Standard Specifications: You must perform timing closure analysis to determine the maximum achievable frequency for general purpose I/O standards.</li> <li>• Updated the conditions for transceiver reference clock rise time and fall time: Measure at <math>\pm 60</math> mV of differential signal. Added a note to the conditions: REFCLK performance requires to meet transmitter REFCLK phase noise specification.</li> <li>• Updated <math>f_{VCO}</math> maximum value from 1400 MHz to 1600 MHz for <math>-C7</math> and <math>-I7</math> speed grades in the PLL specifications table.</li> <li>• Updated the description in Periphery Performance Specifications to mention that proper timing closure is required in design.</li> </ul> |

*continued...*

| Date      | Version | Changes   |
|-----------|---------|---|
|           |         | <ul style="list-style-type: none"> <li>• Added the following notes in the High-Speed I/O Specifications for Cyclone V Devices table:               <ul style="list-style-type: none"> <li>– The Cyclone V devices support true RSDS output standard with data rates of up to 230 Mbps using true LVDS output buffer types on all I/O banks.</li> <li>– The Cyclone V devices support true mini-LVDS output standard with data rates of up to 340 Mbps using true LVDS output buffer types on all I/O banks.</li> </ul> </li> <li>• Updated HPS Clock Performance main_base_clk specifications from 462 MHz to 400 MHz for –C6 speed grade.</li> <li>• Updated HPS PLL VCO maximum frequency to 1,600 MHz (for –C7, –I7, –A7, and –C8 speed grades) and 1,850 MHz (for –C6 speed grade).</li> <li>• Changed the symbol for HPS PLL input jitter divide value from NR to N.</li> <li>• Removed “Slave select pulse width (Texas Instruments SSP mode)” parameter from the following tables:               <ul style="list-style-type: none"> <li>– SPI Master Timing Requirements for Cyclone V Devices</li> <li>– SPI Slave Timing Requirements for Cyclone V Devices</li> </ul> </li> <li>• Added descriptions to USB Timing Characteristics section in HPS Specifications: PHYs that support LPM mode may not function properly with the USB controller due to a timing issue. It is recommended that designers use the MicroChip USB3300 PHY device that has been proven to be successful on the development board.</li> <li>• Added HPS JTAG timing specifications.</li> <li>• Updated the configuration .rbf size (bits) for Cyclone V devices.</li> <li>• Added a note to Uncompressed .rbf Sizes for Cyclone V Devices table: The recommended EPCQ serial configuration devices are able to store more than one image.</li> </ul> |
| July 2014 | 3.9     | <ul style="list-style-type: none"> <li>• Added a note in Table 3, Table 4, and Table 5: The power supply value describes the budget for the DC (static) power supply tolerance and does not include the dynamic tolerance requirements. Refer to the PDN tool for the additional budget for the dynamic tolerance requirements.</li> <li>• Added a note in Table 19: Differential inputs are powered by <math>V_{CCPD}</math> which requires 2.5 V.</li> <li>• Updated “Minimum differential eye opening at the receiver serial input pins” specification in Table 20.</li> <li>• Updated h2f_user2_clk specification for –C6, –C7, and –I7 speed grades in Table 34.</li> <li>• Updated description in “HPS PLL Specifications” section.</li> <li>• Updated VCO range maximum specification in Table 35.</li> <li>• Updated <math>T_d</math> and <math>T_h</math> specifications in Table 41.</li> <li>• Added <math>T_h</math> specification in Table 43 and Figure 10.</li> <li>• Updated a note in Figure 17, Figure 18, and Figure 20 as follows: Do not leave DCLK floating after configuration. DCLK is ignored after configuration is complete. It can toggle high or low if required.</li> <li>• Removed “Remote update only in AS mode” specification in Table 54.</li> <li>• Added DCLK device initialization clock source specification in Table 56.</li> <li>• Added description in “Configuration Files” section: The IOCSR .rbf size is specifically for the Configuration via Protocol (CvP) feature.</li> <li>• Added “Recommended EPCQ Serial Configuration Device” values in Table 57.</li> <li>• Removed <math>f_{MAX\_RU\_CLK}</math> specification in Table 59.</li> </ul>  |

*continued...*

| Date                       | Version | Changes   |
|----------------------------|---------|---|
| February 2014              | 3.8     | <ul style="list-style-type: none"> <li>Updated V<sub>CCRSTCLK_HPS</sub> maximum specification in Table 1.</li> <li>Added V<sub>CC_AUX_SHARED</sub> specification in Table 1.</li> </ul>   |
| December 2013              | 3.7     | <ul style="list-style-type: none"> <li>Updated Table 1, Table 3, Table 19, Table 20, Table 23, Table 25, Table 27, Table 34, Table 44, Table 51, Table 52, Table 55, and Table 61.</li> <li>Removed Preliminary tags for Table 1, Table 2, Table 3, Table 4, Table 5, Table 6, Table 7, Table 9, Table 12, Table 13, Table 14, Table 15, Table 16, Table 17, Table 18, Table 19, Table 20, Table 24, Table 25, Table 26, Table 27, Table 28, Table 32, Table 33, Table 49, Table 50, Table 51, Table 52, Table 53, Table 54, Table 55, Table 57, Table 58, Table 59, Table 60, and Table 62.</li> </ul> |
| November 2013              | 3.6     | Updated Table 23, Table 30, and Table 31.   |
| October 2013               | 3.5     | <ul style="list-style-type: none"> <li>Added "HPS PLL Specifications".</li> <li>Added Table 23, Table 35, and Table 36.</li> <li>Updated Table 1, Table 5, Table 11, Table 19, Table 20, Table 21, Table 22, Table 25, Table 28, Table 34, Table 37, Table 38, Table 39, Table 40, Table 41, Table 42, Table 43, Table 44, Table 45, Table 46, Table 47, and Table 53.</li> <li>Updated Figure 1, Figure 2, Figure 4, Figure 10, Figure 12, Figure 13, and Figure 16.</li> <li>Removed table: GPIO Pulse Width for Cyclone V Devices.</li> </ul>  |
| June 2013                  | 3.4     | <ul style="list-style-type: none"> <li>Updated Table 20, Table 27, and Table 34.</li> <li>Updated "UART Interface" and "CAN Interface" sections.</li> <li>Removed the following tables: <ul style="list-style-type: none"> <li>Table 45: UART Baud Rate for Cyclone V Devices</li> <li>Table 47: CAN Pulse Width for Cyclone V Devices</li> </ul> </li> </ul>   |
| May 2013                   | 3.3     | <ul style="list-style-type: none"> <li>Added Table 33.</li> <li>Updated Figure 5, Figure 6, Figure 17, Figure 19, and Figure 20.</li> <li>Updated Table 1, Table 4, Table 5, Table 10, Table 13, Table 19, Table 20, Table 26, Table 32, Table 35, Table 36, Table 43, Table 53, Table 54, Table 57, and Table 61.</li> </ul>   |
| March 2013                 | 3.2     | <ul style="list-style-type: none"> <li>Added HPS reset information in the "HPS Specifications" section.</li> <li>Added Table 57.</li> <li>Updated Table 1, Table 2, Table 17, Table 20, Table 52, and Table 56.</li> <li>Updated Figure 18.</li> </ul>  |
| January 2013               | 3.1     | Updated Table 4, Table 20, and Table 56.  |
| <b><i>continued...</i></b> |         |   |

| Date          | Version | Changes   |
|---------------|---------|---|
| November 2012 | 3.0     | <ul style="list-style-type: none"> <li>• Updated Table 1, Table 4, Table 5, Table 9, Table 14, Table 16, Table 17, Table 19, Table 20, Table 25, Table 28, Table 52, Table 55, Table 56, and Table 59.</li> <li>• Removed table: Transceiver Block Jitter Specifications for Cyclone V GX Devices.</li> <li>• Added HPS information:               <ul style="list-style-type: none"> <li>— Added "HPS Specifications" section.</li> <li>— Added Table 33, Table 34, Table 35, Table 36, Table 37, Table 38, Table 39, Table 40, Table 41, Table 42, Table 43, Table 44, Table 45, and Table 46.</li> <li>— Added Figure 4, Figure 5, Figure 6, Figure 7, Figure 8, Figure 9, Figure 10, Figure 11, Figure 12, Figure 13, Figure 14, Figure 15, and Figure 16.</li> <li>— Updated Table 3.</li> </ul> </li> </ul> |
| June 2012     | 2.0     | Updated for the Quartus Prime software v12.0 release: <ul style="list-style-type: none"> <li>• Restructured document.</li> <li>• Removed "Power Consumption" section.</li> <li>• Updated Table 1, Table 3, Table 19, Table 20, Table 25, Table 27, Table 28, Table 30, Table 31, Table 34, Table 36, Table 37, Table 38, Table 39, Table 41, Table 43, and Table 46.</li> <li>• Added Table 22, Table 23, and Table 29.</li> <li>• Added Figure 1 and Figure 2.</li> <li>• Added "Initialization" and "Configuration Files" sections.</li> </ul>  |
| February 2012 | 1.2     | <ul style="list-style-type: none"> <li>• Added automotive speed grade information.</li> <li>• Added Figure 2-1.</li> <li>• Updated Table 2-3, Table 2-8, Table 2-9, Table 2-19, Table 2-20, Table 2-21, Table 2-22, Table 2-23, Table 2-24, Table 2-25, Table 2-26, Table 2-27, Table 2-28, Table 2-30, Table 2-35, and Table 2-43.</li> <li>• Minor text edits.</li> </ul>   |
| November 2011 | 1.1     | <ul style="list-style-type: none"> <li>• Added Table 2-5.</li> <li>• Updated Table 2-3, Table 2-4, Table 2-11, Table 2-13, Table 2-20, and Table 2-21.</li> </ul>   |
| October 2011  | 1.0     | Initial release.  |

## Looking for pricing, stock, or lifecycle information?

Click below to explore more details on WIN SOURCE:

 [View 5CGXFC9E6F35I7N on WIN SOURCE](#)

 [Intel Information](#)

## Optimize Your Supply Chain with WIN SOURCE Solutions

-  Global Sourcing Solution
-  Obsolete Management
-  Cost Control Management
-  Shortage Management
-  Alternative Solution
-  Excess Inventory Management