



THE DATASHEET OF
597-3021-507F

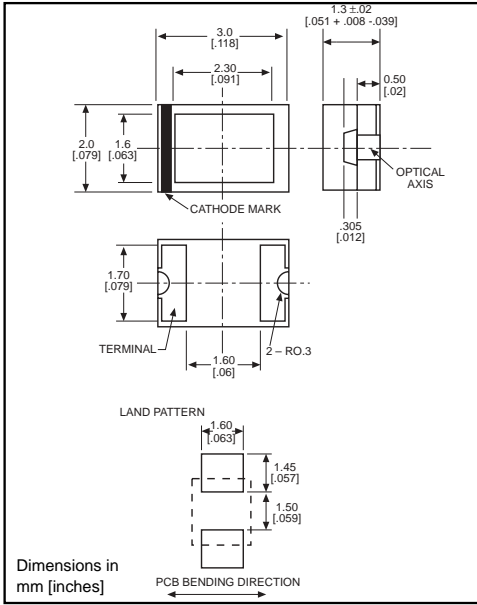




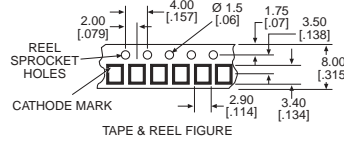
Surface Mount LED

Dialight

597-3xx1-5xx



TAPING SPECIFICATIONS



PART NO.*

COLOR

597-3021-5xx	Red
597-3111-5xx	AlGaAs Red
597-3211-5xx	Orange
597-3301-5xx	Green
597-3401-5xx	Yellow

Features

- Compatible with automatic placement equipment
- Compatible with infrared reflow processes
- Packaged on 8mm tape, 7" reels (meets EIA-481-1 standard)
- Helps to eliminate mixed technology PC board processing
- Compatible with Dialight's Optopipe™ Series light pipes

*ORDERING INFORMATION

597-3xx1-5xx

packaging option

02	20 pieces on tape
07	7" reel, 2500 pcs/reel

ABSOLUTE MAXIMUM RATINGS (T_A=25°C)

	Red -3021	AlGaAs Red -3111	Orange -3211	Green -3301	Yellow -3401
Power Dissipation (mW)	70	75	70	70	70
Forward Current (mA)	25	30	25	25	25
Derating (mA/°C) Above 25°C	.42	.42	.42	.42	.42
Peak Current (mA)	60	75	60	60	60
Pulse width = 1 ms					
Operating Temperature (°C)	-30/+85	-30/+85	-30/+85	-30/+85	-30/+85
Storage Temperature (°C)	-40/+85	-40/+85	-40/+85	-40/+85	-40/+85
Soldering Profile	240°C peak, max 10 seconds				

Solder Adherence per MIL-STD-202E, Method 208C

OPERATING CHARACTERISTICS (T_A=25°C)

	Red -3021	AlGaAs Red -3111	Orange -3211	Green -3301	Yellow -3401
Luminous Intensity (mcd)	Min. 2.2	5.6	3.6	5.6	2.2
I _F =20mA	Typical 6.3	16	10	16	6.3
Peak Wavelength (nm)	Typical 650	660	610	563	585
λ Peak					
Viewing Angle (2θ ½)	Typical 104°	104°	104°	104°	104°
Forward Voltage (V)	Typical 2	1.75	2	2.2	2.1
I _F =20mA	Max. 2.8	2.5	2.8	2.8	2.8
Reverse Current (µA)	Max 100	100	100	100	100
(V _R = 4V)					

θ ½ is the off axis angle at which the luminous intensity is half the axial luminous intensity




Looking for pricing, stock, or lifecycle information?

Click below to explore more details on WIN SOURCE:

 [View 597-3021-507F on WIN SOURCE](#)

 [Dialight Information](#)

Optimize Your Supply Chain with WIN SOURCE Solutions

-  Global Sourcing Solution
-  Obsolete Management
-  Cost Control Management
-  Shortage Management
-  Alternative Solution
-  Excess Inventory Management