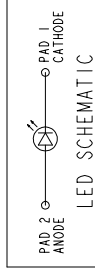


PART NUMBER	LED COLOR
591-2001-102	HI. EFF. RED
591-2001-107	HI. EFF. RED
591-2001-113	HI. EFF. RED
591-2101-102	AI InGaNp RED
591-2101-107	AI InGaNp RED
591-2101-113	AI InGaNp RED
591-2201-102	HI. INTENSITY GREEN
591-2201-107	HI. INTENSITY GREEN
591-2201-113	HI. INTENSITY GREEN
591-2301-102	GREEN
591-2301-107	GREEN
591-2301-113	GREEN
591-2401-102	YELLOW
591-2401-107	YELLOW
591-2401-113	YELLOW
591-2601-102	BLUE
591-2601-107	BLUE
591-2601-113	BLUE
591-2701-102	AI InGaNp YELLOW
591-2701-107	AI InGaNp YELLOW
591-2701-113	AI InGaNp YELLOW
591-2801-102	WHITE
591-2801-107	WHITE
591-2801-113	WHITE

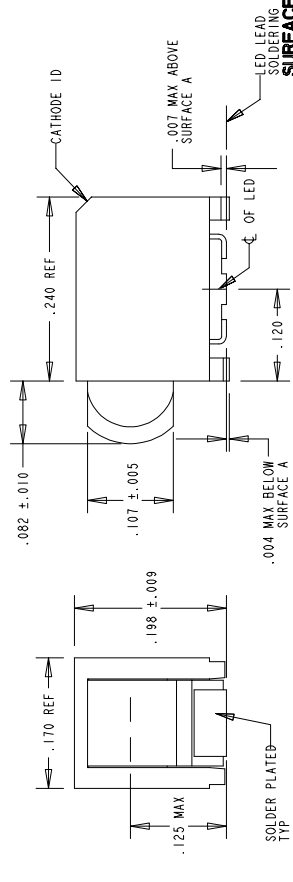


LED COLOR = HIFFERED GREEN YELLOW			
OPERATING CHARACTERISTICS AT 25°C AMBIENT			
CHARACTERISTICS	MIN	TYP	MAX
LUMINOUS INTENSITY	HI. EFF. RED	5.6	9.8
	GREEN	7.1	10.6
	YELLOW	7.1	12.6
FORWARD VOLTAGE	HI. EFF. RED	2.0	2.5
	GREEN	2.0	2.5
	YELLOW	2.0	2.5
REVERSE VOLTAGE	HI. EFF. RED	5	5
	YELLOW	5	5
	YELLOW	5	5
PEAK WAVELENGTH	GREEN	572	635
	YELLOW	586	586
	YELLOW	622	628
DOMINANT WAVELENGTH	HI. EFF. RED	564	570
	GREEN	564	570
	YELLOW	580	587

LED COLOR = HIFFERED GREEN YELLOW			
ABSOLUTE MAXIMUM RATING AT 25°C AMBIENT			
POWER DISSIPATION	HI. EFF. RED	GREEN	YELLOW
	95	95	95
CONTINUOUS FORWARD CURRENT	GREEN	30	30
OPERATING TEMPERATURE	RED, GRN, YEL	-40 TO 100	-40 TO 100
	RED, GRN, YEL	-40 TO 100	-40 TO 100

LED COLOR = BLUE			
OPERATING CHARACTERISTICS AT 25°C AMBIENT			
CHARACTERISTICS	MIN	TYP	MAX
LUMINOUS INTENSITY	6.0	6.0	6.0
FORWARD VOLTAGE	3.5	4.2	4.2
REVERSE CURRENT	.01	10	10

LED COLOR = BLUE			
ABSOLUTE MAXIMUM RATING AT 25°C AMBIENT			
POWER DISSIPATION	GREEN	YELLOW	WHITE
	100	100	100
DERATE LINEARLY FROM 55°C	0.44	0.44	0.44
CONTINUOUS FORWARD CURRENT	20	20	20
OPERATING TEMPERATURE	RED, GRN, YEL	-40 TO 100	-40 TO 100
STORAGE TEMPERATURE	RED, GRN, YEL	-40 TO 100	-40 TO 100



LED COLOR = AIGaAs RED HI. INT. GREEN AI InGaNp YELLOW			
OPERATING CHARACTERISTICS AT 25°C AMBIENT			
CHARACTERISTICS	MIN	TYP	MAX
LUMINOUS INTENSITY	AI GaAs RED	23.9	23.9
	HI. INT. GREEN	9.1	9.1
	AI InGaNp YELLOW	33.6	33.6
FORWARD VOLTAGE	AI GaAs RED	1.8	2.4
	HI. INT. GREEN	2.1	2.6
	AI InGaNp YELLOW	2.0	2.4
REVERSE VOLTAGE	AI GaAs RED	5	5
	HI. INT. GREEN	5	5
	AI InGaNp YELLOW	5	5
DOMINANT WAVELENGTH	AI GaAs RED	638	638
	HI. INT. GREEN	638	638
	AI InGaNp YELLOW	595	595

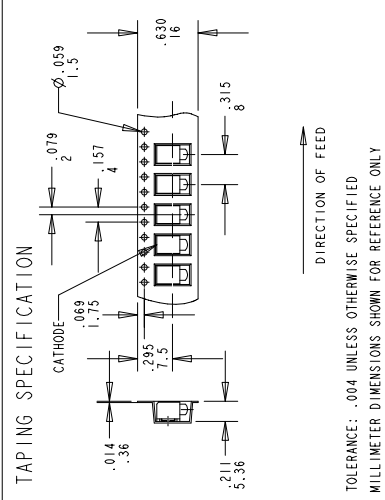
LED COLOR = AIGaAs RED HI. INT. GREEN AI InGaNp YELLOW			
ABSOLUTE MAXIMUM RATING AT 25°C AMBIENT			
POWER DISSIPATION	RED, GRN, YEL	HI. INT. GREEN	AI InGaNp YELLOW
	100	100	100
DERATE LINEARLY FROM 25°C	AI GaAs RED	0.8	0.8
	HI. INT. GREEN	0.6	0.6
	AI InGaNp YELLOW	0.6	0.6
CONTINUOUS FORWARD CURRENT	AI GaAs RED	40	40
	HI. INT. GREEN	30	30
	AI InGaNp YELLOW	50	50
PEAK FORWARD CURRENT (1/10 DUTY CYCLE, 0.1 ms PULSE WIDTH)	AI GaAs RED	200	200
	HI. INT. GREEN	120	120
	AI InGaNp YELLOW	160	160
OPERATING TEMPERATURE	RED, GRN, YEL	-55 TO 100	-55 TO 100
STORAGE TEMPERATURE	RED, GRN, YEL	-55 TO 100	-55 TO 100
INFRARED REFLOW SOLDERING	RED, GRN, YEL	260°C FOR 5 SEC	260°C FOR 5 SEC
VAPOR PHASE SOLDERING	RED, GRN, YEL	215°C FOR 3 MIN	215°C FOR 3 MIN

LED COLOR = WHITE			
OPERATING CHARACTERISTICS AT 25°C AMBIENT			
LED CHARACTERISTICS	MIN.	TYP.	MAX.
LUMINOUS INTENSITY	37.6	37.6	37.6
FORWARD VOLTAGE	3.5	4.2	4.2
REVERSE CURRENT	.01	10	10
COLOR COORDINATES	X	.29	.32
	Y	.22	.31

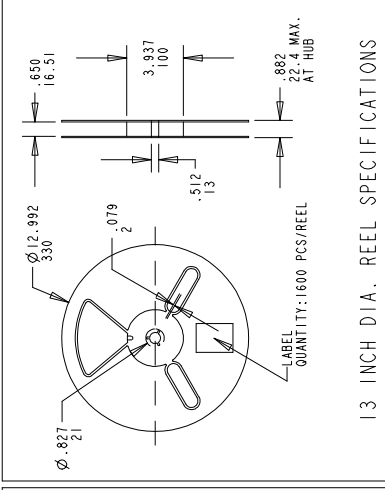
LED COLOR = WHITE			
ABSOLUTE MAXIMUM RATINGS AT 25°C AMBIENT			
POWER DISSIPATION	RED, GRN, YEL	HI. INT. GREEN	AI InGaNp YELLOW
	85 mW	85 mW	85 mW
CONTINUOUS FORWARD CURRENT	20 mA	20 mA	20 mA
DERATE LINEARLY FROM 75°C	.6	.6	.6
PEAK REVERSE VOLTAGE	5V	5V	5V
SOLDERING PROFILE: IR - 235°C PEAK, - 15 SEC., 185°C - 90 SEC MAX.			
OPERATING TEMPERATURE	-40°C TO +100°C	-40°C TO +100°C	-40°C TO +100°C
STORAGE TEMPERATURE	-40°C TO +100°C	-40°C TO +100°C	-40°C TO +100°C

NOTES :

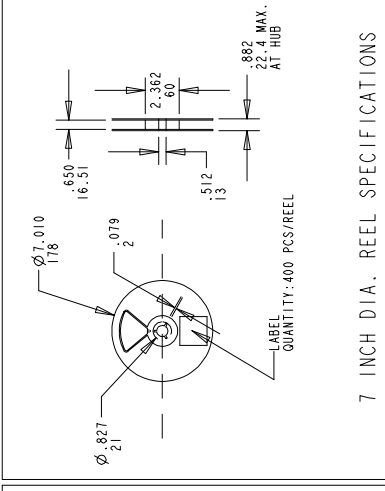
- 1- MILLIMETER
- 2- PAD NUMBERS
- 3- STORAGE CON. PRODUCTS
- 4- ORDER QUANT.
- 5- ...-102 S
...-107 S
...-113 S
- 6- LENS MOVEMENT
.009" T.I.
.007" T.I.
- 7- FRONT AND R
- 8- LED LEAD FR
CORE MATE
1st PLATT
2nd PLATT
- 9- DIALIGHT PA
591-EX01-
10. DRY PACK PA
IN A VACUUM
LEVEL 2 ON
11. ATTENTION: SENSITIVE D



TOLERANCE: .004 UNLESS OTHERWISE SPECIFIED
MILLIMETER DIMENSIONS SHOWN FOR REFERENCE ONLY



13 INCH DIA. REEL SPECIFICATIONS



7 INCH DIA. REEL SPECIFICATIONS

Looking for pricing, stock, or lifecycle information?

Click below to explore more details on WIN SOURCE:

 [View 5912401814F on WIN SOURCE](#)

 [Dialight Information](#)

Optimize Your Supply Chain with WIN SOURCE Solutions

-  Global Sourcing Solution
-  Obsolete Management
-  Cost Control Management
-  Shortage Management
-  Alternative Solution
-  Excess Inventory Management