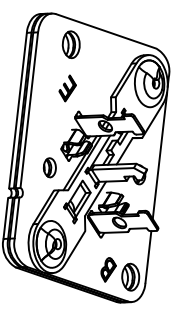
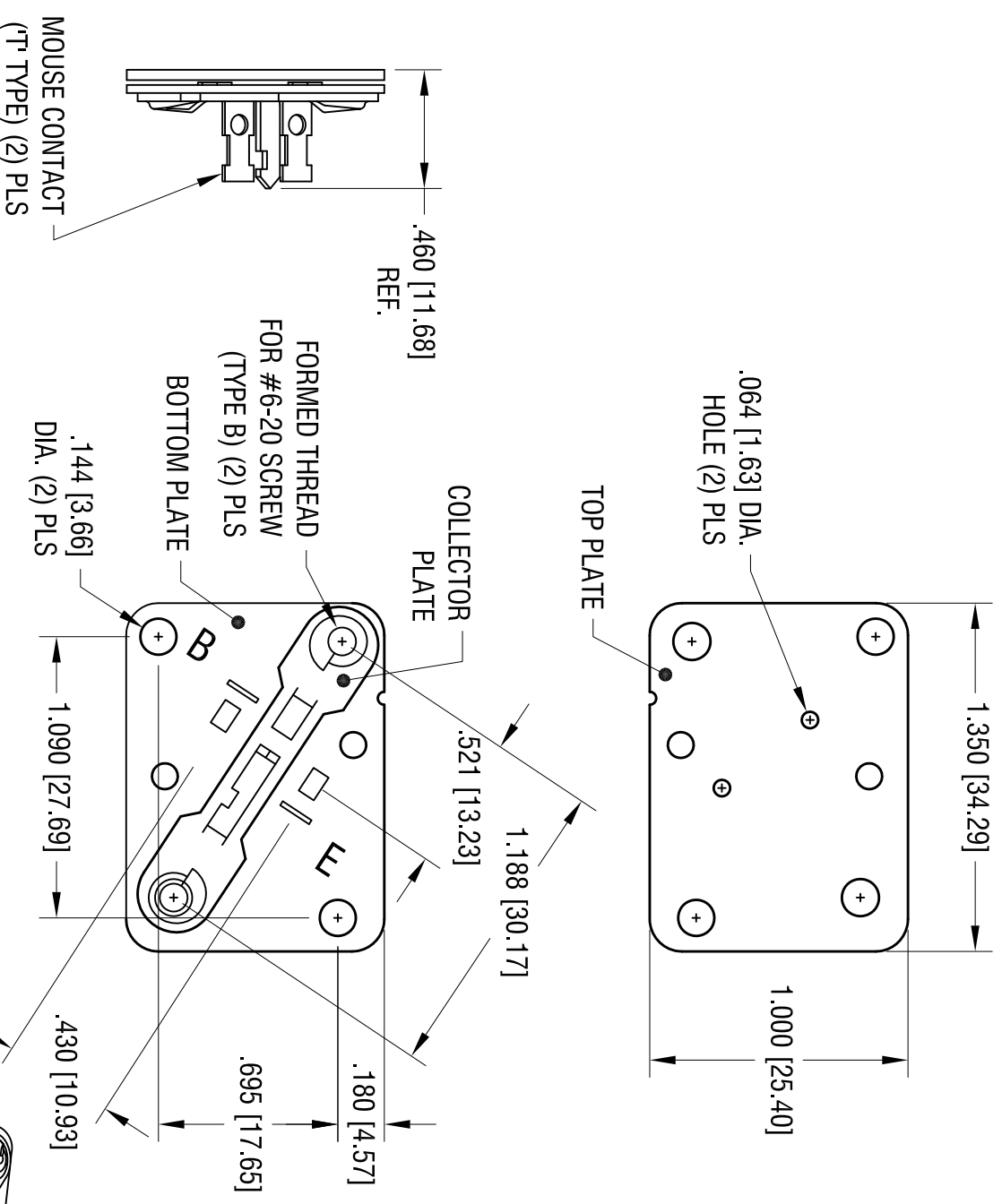




THE DATASHEET OF
4606



DATE	DESCRIPTION	REV.
3.14.07	ECN 07-014 REDRAWN	B
1.30.19	CHANGE AS PER ECN 19-016	C



ACTUAL SIZE

NOTES:
TOP PLATE:
MAT'L - .032 [0.81] THK PHENOLIC
BOTTOM PLATE:
MAT'L - .032 [0.81] THK PHENOLIC
COLLECTOR PLATE:
MAT'L - .032 [0.81] THK STEEL
FINISH - TIN PLATE
MOUSE CONTACT (T* TYPE):
MAT'L - .013 [0.33] THK BRASS
FINISH - TIN PLATE

KEYSTONE ELECTRONICS CORP.

www.keystone.com • NEW HYDE PARK, NY 11040 • Tel (516) 328-7500

PART NAME

TO-3 POWER TRANSISTOR SOCKET

MATERIAL

AS NOTED

FINISH

AS NOTED

TOLERANCES	INCH	[MM]	CODE	DWG NO.
DECIMAL	± .005	[± 0.13]	C	4606
ANGULAR	± 1°			

THIS DOCUMENT IS THE PROPERTY OF KEYSTONE ELECTRONICS CORP. AND SHALL NOT BE REPRODUCED, DISTRIBUTED OR USED AS A BASIS FOR MANUFACTURE WITHOUT PRIOR WRITTEN PERMISSION FROM KEYSTONE ELECTRONICS CORP.

DRN BY	DATE
BOONE	10.18.82
APP'D	SCALE
	1.5X

Looking for pricing, stock, or lifecycle information?

Click below to explore more details on WIN SOURCE:

- [View 4606 on WIN SOURCE](#)
- [Keystone Electronics Information](#)

Optimize Your Supply Chain with WIN SOURCE Solutions

- ✓ Global Sourcing Solution
- ✓ Obsolete Management
- ✓ Cost Control Management
- ✓ Shortage Management
- ✓ Alternative Solution
- ✓ Excess Inventory Management