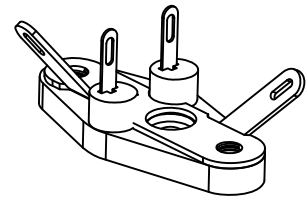
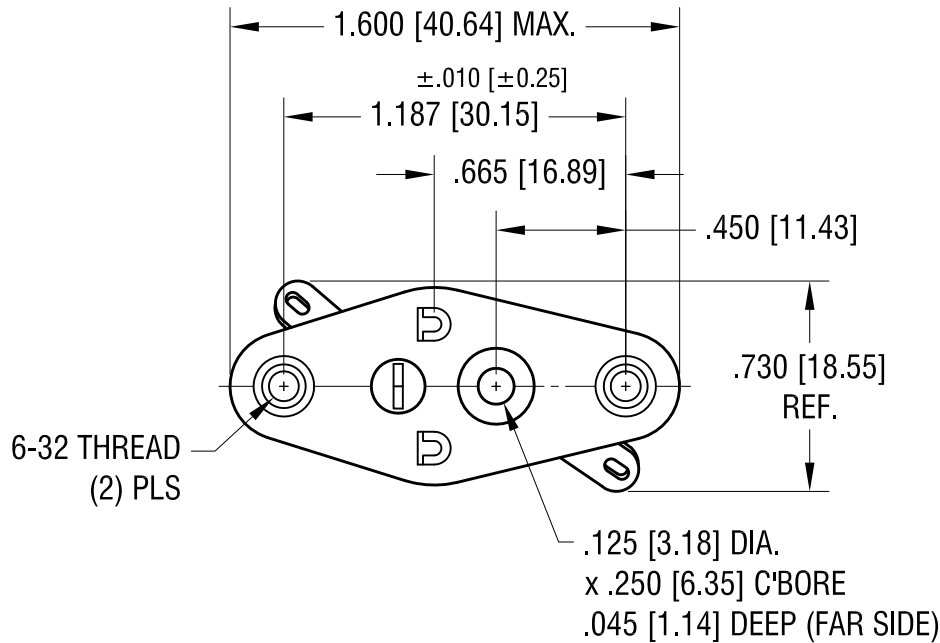
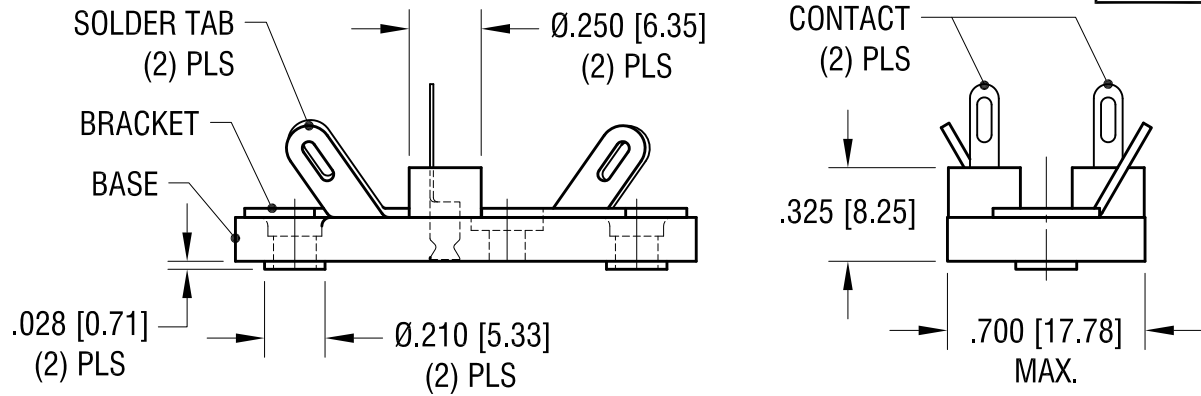




THE DATASHEET OF
4516



THIS DOCUMENT IS THE PROPERTY OF
KEYSTONE ELECTRONICS CORP. AND
SHALL NOT BE REPRODUCED, DISTRIBUTED
OR USED AS A BASIS FOR MANUFACTURE
WITHOUT PRIOR WRITTEN PERMISSION
FROM KEYSTONE ELECTRONICS CORP.



ACTUAL SIZE

NOTES:

1. BASE, INSULATING:
MAT'L - PBT (BLACK COLOR) UL 94V-0
2. BRACKET, MOUNTING:
MAT'L - .032 [0.81] TH'K BRASS
FINISH - TIN PLATE



3. CONTACT: (FOR .040 DIA. LEADS)
MAT'L - .012 [0.30] TH'K BRASS
FINISH - TIN PLATE
4. PART SUPPLIED ON TRAY
10.24 [260.0] x 9.84 [250.0] x .788 [20.0] TRAY
50 PIECES PER TRAY - 450 PIECES PER BOX

DATE	DESCRIPTION	REV.
12.05.23	ADD PACKAGING CHANGE AS PER ECN23-304	C
3.24.15	BASE MAT'L WAS POLYESTER CHANGE AS PER ECN15-037	B
5.18.04	CHANGE AS PER ECN 04-038	A

KEYSTONE ELECTRONICS CORP.			
www.keyelco.com • NEW HYDE PARK, NY 11040 • Tel (516) 328-7500			
PART NAME TO-3 DUAL TAB TRANSISTOR SOCKET			
MATERIAL AS NOTED			
FINISH AS NOTED		DRN BY BOONE	DATE 10.08.82
		APP'D	SCALE 1.5X
TOLERANCES	INCH [MM]	CODE	DWG NO.
DECIMAL	± .005 [± 0.13]	C	4516
ANGULAR	± 1°		
UNLESS OTHERWISE SPECIFIED			

Looking for pricing, stock, or lifecycle information?

Click below to explore more details on WIN SOURCE:

-  [View 4516](#) on WIN SOURCE
-  [Keystone Electronics](#) Information

Optimize Your Supply Chain with WIN SOURCE Solutions

-  Global Sourcing Solution
-  Obsolete Management
-  Cost Control Management
-  Shortage Management
-  Alternative Solution
-  Excess Inventory Management