

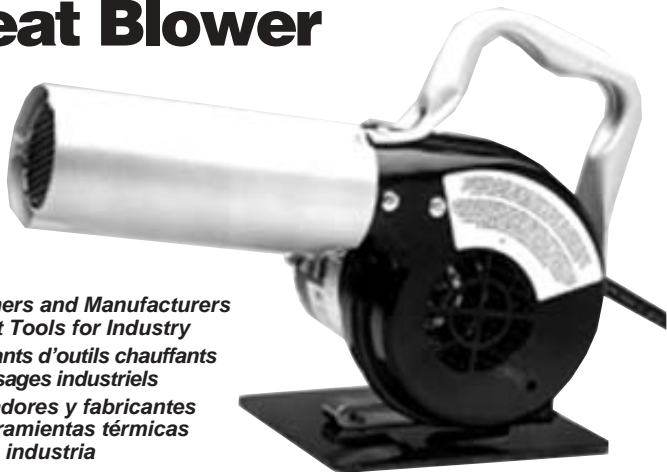


**THE DATASHEET OF**  
**30313**



**MASTER**<sup>®</sup>  
A P P L I A N C E

# Masterflow<sup>®</sup> Heat Blower



*Designers and Manufacturers  
of Heat Tools for Industry*

*Fabricants d'outils chauffants  
pour usages industriels*

*Diseñadores y fabricantes  
de herramientas térmicas  
para la industria*

## **Instruction Manual** **Mode d'emploi** **Manual de instrucciones**

Made in U.S.A.

Fabriqué aux États-Unis

Hecho en EE.UU.

Please read, understand and keep this manual for future reference

Lire et bien comprendre les instructions  
contenues dans ce manuel et les conserver comme référence.

Por favor lea, comprenda y guarde este manual para futura referencia.

## Description & Introduction

The Masterflow® Heat Blower is a heavy-duty, industrial-quality heat blower suitable for continuous duty applications. It produces a high volume of hot air for demanding industrial applications. The adjustable stand features a keyhole slot for easy equipment mounting and allows the nozzle capability of rotating 90° (horizontal to vertical).

Your Masterflow® is equipped with a thermal fuse which will protect the element from overheating or burn out due to a nozzle blockage or motor failure.

**Heat blowers are a source of extremely high temperature flameless heat (up to 750°/400°C). As with other products which generate**

**extremely high temperatures, regardless of your specific application, extreme care and caution should be observed when using this product. Therefore, we recommend that you pay particular attention to the safety instructions which we have provided for your protection.**

## Specifications

Model	*Temperature		Volts	Amps
	°F	°C		
AH-301	300	50	120	10.0
AH-302	300	150	220/240	5.2
AH-501	500	260	120	14.0
AH-502	500	260	220/240	7.3
AH-751	750	400	120	18.0
AH-752	750	400	220/240	9.4

\*Average temperature measures 1" from nozzle.

## Important Safety Instructions

**WARNING:** THIS PRODUCT IS A SOURCE OF VERY HIGH TEMPERATURE FLAMELESS HEAT. AS WITH ANY ELECTRICAL TOOL, WHEN USING HEAT TOOLS, ALWAYS FOLLOW BASIC SAFETY PRECAUTIONS, INCLUDING THE FOLLOWING, TO REDUCE THE RISK OF FIRE, ELECTRIC SHOCK OR PERSONAL INJURY.

- 1) Read and understand this instruction manual before using. *Save this manual for future reference.*

**WARNING:** To reduce the risk of fire or electric shock,

do not expose heat blowers to rain or moisture. Store indoors. Connect to grounded outlet only.

- 2) Do not use plug adaptors or remove the ground prong from the plug. This tool is equipped with a 3-prong plug and a 3-wire grounding system. Connect to properly grounded outlets only.
- 3) Use heat blower only on adequately rated circuits to avoid overheating of electrical systems.
- 4) Masterflow Heat Blowers can produce up to 750°F/400°C of flameless

heat out of the nozzle. Do not direct this hot air stream at your clothing, hands or body parts. Do not use as a hair dryer.

- 5) Do not touch nozzle opening or nozzle shield until cool. When in "Hot" mode, extreme heat is generated at those areas. Always hold tool by the handle or use permanently attached stand.
- 6) Run on "Cold" before turning off. The nozzle and shield require approximately 3 minutes to become cool to the touch.

## Important Safety Instructions (cont'd)

- 7) Do not touch work surface with nozzle. Keep nozzle face at least 1" away.
- 8) Keep a clean work area. Messy or cluttered work areas invite accidents or injury.
- 9) Keep away from children. All visitors should be kept at a safe distance from the work area. Do not let visitors touch the tool or extension cord.
- 10) Use tool in a well-ventilated area. Do not use near flammable liquids or in an explosive environment (where fumes, gases or dust are present).
- 11) Remove all highly flammable materials and other debris from the work area.
- 12) Wear safety glasses at all times.
- 13) When using an extension cord, use only a 3-wire grounded cord with a minimum of 14-gauge capacity. We recommend they be listed by Underwriters laboratories (UL) in the U.S.A. or (CSA) Canadian Standards Association in Canada and be suitable for outdoor use. Cords marked for outdoor use are also suitable for indoor use.
- 14) Don't abuse cordset. Never yank by cord to remove from electrical outlet or carry tool by cord.
- 15) Don't remove adjustable stand. When not hand-held, place tool on a level surface. Position cordset so it does not cause tipping.
- 16) Keep a fully-charged fire extinguisher close at hand.
- 17) Do not leave heat blower unattended while the heat blower is running or cooling down.
- 18) Stay alert. Do not operate tool when you are tired. Use common sense and watch what you are doing.
- 19) Store properly. Do not store while hot. Store in a dry, high or locked-up location. Keep out of the reach of children.
- 20) Always unplug tool before performing any maintenance. When servicing, use only Master Appliance brand replacement parts. We recommend that all maintenance be performed by a qualified repair technician who is experienced in the repair of electric tools, a qualified service organization, or our repair staff.
- 21) **WARNING: This product, when used for soldering and similar applications, produces chemicals known to the State of California to cause cancer and birth defects or other reproductive harm.**

### IMPORTANT SAFETY INSTRUCTIONS

#### READ THESE INSTRUCTIONS

**WARNING:** Hidden areas such as walls, ceilings, floors, soffit boards and other panels may contain flammable liquids that could be ignited by the hot air gun when working in these locations. The ignition of these materials may not be apparent and could result in property damage and injury to persons. Do not use if in doubt about this hazard. When working in these locations, keep

the hot air gun moving in a back-and-forth motion. Lingering or pausing in one spot could ignite the panel or the material behind it.

### Paint Stripping

**WARNING:** Extreme care should be taken when stripping paint. The peelings, residue and vapors of paint may contain lead, which is poisonous. Any pre-1977 paint may contain lead and paint applied to homes prior to 1950 is likely to contain lead. Once deposited on surfaces, hand to mouth contact can result in the ingestion of lead. Exposure to even low levels of lead can cause irreversible brain and nervous system damage; young and unborn children are particularly vulnerable.

Before beginning any paint removal process you should determine whether the paint you are removing contains lead. This can be done by your local health department or by a professional who used a paint analyzer to check the lead content of the paint to be removed. **LEAD BASED PAINT SHOULD ONLY BE REMOVED BY A PROFESSIONAL AND SHOULD NOT BE REMOVED USING A HOT AIR GUN.**

Persons removing paint should follow these guidelines.

1. Move the work piece outdoors. If this is not possible, keep the work area well ventilated. Open the windows and put an exhaust fan in one of them. Be sure the fan is moving the air from inside to outside.

2. Remove or cover any carpets, rugs, furniture, clothing, cooking utensils and air ducts.
3. Place drop clothes in the work area to catch any paint chips or peelings. Wear protective clothing such as extra work shirts, overalls and hats.
4. Work in one room at a time. Furnishing should be removed or placed in the center of the room and covered. Work areas should be sealed off from the rest of the dwelling by sealing doorways with drop clothes.
5. Children, pregnant or potentially pregnant women and nursing mothers should not be present in the work area until the work is done and all cleanup is complete.
6. Wear a dust respirator or a dual filter (dust and fume) respirator mask which has been approved by the Occupational Safety and Health Administration (OSHA), the National Institute of Safety and Health (NIOSH), or the United States Bureau of Mines. These masks and replaceable filters are readily available at major hardware stores. Be sure the mask fits. Beards and facial hair may keep masks from sealing properly. Change filters often. **DISPOSABLE PAPER MASKS ARE NOT ADEQUATE.**
7. Use caution when operating the hot air gun. Keep the hot air gun moving as excessive heat will generate fumes which can be inhaled by the operator.
8. Keep food and drink out of the work area. Wash hands, arms and face and rinse mouth before eating or drinking. Do not smoke or chew gum or tobacco in the work area.
9. Clean up all removed paint and dust by wet mopping the floors. Use a wet cloth

to clean all walls, sills and any other surface where paint or dust is clinging. **DO NOT SWEEP, DRY DUST OR VACUUM.** Use a high phosphate detergent or trisodium phosphate (TSP) to, wash and mop areas.

10. At the end of each work session put the paint chips and the debris in a double plastic bag, close it with tape or twist ties, and dispose of properly.
11. Remove protective clothing and work shoes in the work area to avoid carrying dust into the rest of the dwelling. Wash work clothes separately. Wipe shoes off with a wet rag that is then washed with the work clothes. Wash hair and body thoroughly with soap and water.

### **SAVE THESE INSTRUCTIONS**

Send Product to:

**Master Appliance Corp.**

Attn: Repair Department  
2420 - 18th Street  
Racine, WI 53403

## **Operating Instructions**

Your Masterflow® is a heavy-duty industrial quality heat blower. You can do more heating jobs faster with this heat blower because of its high power and air flow ratings.

This product provides a fast flow of heated air for applications such as:

- Shrinking heat-shrinkables.
- Shrinking sleeves over wires, harnesses and bottle caps.

- Drying inks and paints on silk screen, posters, fabrics and papers.

Uses are as limitless as your own ingenuity.

The proper amount of heat for each application is dependent upon the model number of the Masterflow in use, the distance from the work surface, and the heat application time.

Before performing any application, we recommend that

you experiment with a piece of scrap material. Use care in approaching the work until you find the proper combination of distance from the work surface, and the heat application time.

Use a gentle back and forth motion when applying heat unless it is found that a concentrated heat is desired.

## Operating Instructions (cont'd)

### To Operate Heat Blower

- 1) Plug heat blower into properly rated outlet.
- 2) Move toggle switch to "Hot" position. Heat blower will come up to full operating temperature in approximately two minutes.
- 3) Adjustable stand is provided to allow nozzle to be rotated from almost horizontal to vertical position.
- 4) To turn heat blower off after use, move switch to "Cold" position. Run on cold for approximately three minutes. This will allow the heat blower to cool down and the nozzle to become cool to the touch.
- 5) Move switch to "Off" position.

When heat blower is used in an enclosed container, such as a shrink tunnel or special enclosure, ambient air must be allowed to pass into the heat blower and there must be an outlet of equal size for the heated air to pass out of the enclosure also. Total enclosure will cause damage or possible failure to the heat blower due to the extreme heat generated.

## Typical Applications

### How to Strip Paint

In addition to many other applications, stripping paint has become a popular use for your Masterflow Heat Blower. Because of its higher power and airflow ratings many professional restoration and renovation contractors recognize it as the tool of choice for tough paint stripping jobs.

We recommend using only the Model AH-501 (120V), AH-501C (120V, in Canada) or the Model AH-502 (220/240V) for professional paint stripping applications.

### Paint Stripping Safety Instructions

- 1) **WARNING:** With a heat gun, as with all other heat tools, keep a fire extinguisher handy and observe all sensible fire precautions.

We do not recommend using this heat gun on **hollow** surfaces such as outdoor siding, walls, soffits, panels and partitions, etc. These areas often contain

flammable materials such as dust, wood chips, insulation, rodent nests and other debris which could accidentally ignite.

Your heat gun is best used for stripping paint from **solid** woodwork with ins and outs, such as solid interior trim, mouldings, turnings, doors, balusters and porch trim, etc.

When stripping paint, always keep the heat gun moving in a continuous back and forth motion. Stopping or pausing too long in one spot could ignite the surface you are working on or the area behind it.

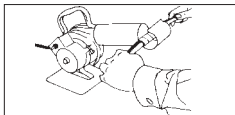
- 2) Do not breathe or swallow lead based paint in any form. Many old homes and other buildings contain lead based paint. Dust, scrapings, residues and vapors of lead based paint are extremely poisonous. Prevent possible lead poisoning when stripping this type of paint by using adequate ventilation (such as a window fan in

the exhaust mode), and keeping a clean work area. When dust or vapors are present, use a respirator designed to filter lead. Move work outside when possible.

Failure to follow adequate safety precautions when working with lead based paint could result in lead poisoning. See our Paint Stripping instructions for more information.

- 3) Keep away from chemical paint strippers which can ignite or release harmful vapors.
- 4) Use adequate ventilation (such as a window fan in the exhaust mode) and keep your work area clean.
- 5) Wear gloves and safety glasses at all times.
- 6) Keep a fully charged fire extinguisher close at hand.
- 7) Stay alert, watch what you are doing, and use common sense.

## Typical Applications (cont'd)



### Shrinking Tubing

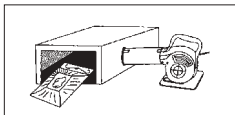
Use stand to free both hands. Slide tubing over area to be insulated. Place in air stream and move with a side-to-side motion until tubing has shrunk.



### Shrinking Packaging

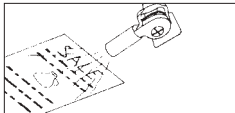
Your Masterflow Heat Blower can be used for a variety of heat-shrinking applications. For example, it can be used to shrink bottle caps manually by gently waving the nozzle around the cap until it has shrunk.

One or two heat blowers may be permanently mounted to a conveyor system to shrink caps as the bottles pass by.



### Shrink Tunnel Systems

The Masterflow can be used on heat-shrink tunnel systems. It is recommended that the blower or blowers be mounted in a horizontal position to prevent overheating of the heat blower.



### Drying

Drying ink and paint on screen prints, posters or paper may be done manually or by directly mounting the heat blowers to the processing equipment.

If you have any questions regarding your specific application or use, feel free to call our Sales Department at (262) 633-7791.

**NOTE: Users should independently evaluate the suitability of the product for their application.**

## Maintenance Instructions

All repairs and maintenance other than that recommended in this instruction manual must be performed by a qualified repair technician who is experienced with the repair of electric tools, a qualified service organization, or Master Appliance Corp.'s Service Department.

For prompt and efficient maintenance and repair service, return your product to:

**Master Appliance Corp.**  
Attn: Repair Department  
2420 - 18th Street  
Racine, WI 53403

Please enclose a note describing your problem and your phone number. If still under warranty, please include a copy of your invoice and date of purchase.

**WARNING:** Always unplug your tool before performing any maintenance or repairs. Use only identical Master Appliance brand replacement parts.

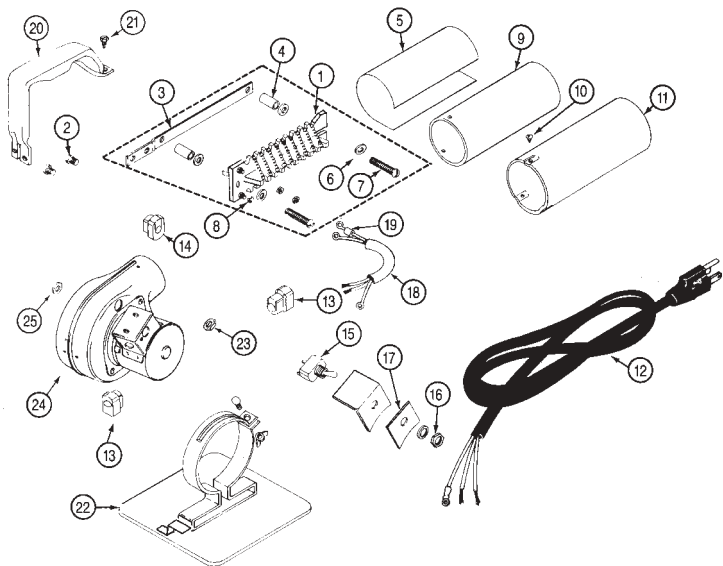
### Lubrication

Apply 2-3 drops of SAE 20 non-detergent oil to oil holes every 6 months.

### Cleaning

Unplug heat blower before cleaning. To clean outside of tool, use only a mild soap and damp cloth. Do not use other cleaning agents, turpentine, gasoline, lacquer or paint thinner, or other solvents that may contain chemicals which are harmful to plastics and other insulating materials. Never immerse tool in a liquid or allow a liquid to enter inside the tool. Make sure all vents and openings are free and clear of debris.

# Exploded View



## Masterflow® Parts List - All Models

(When ordering, please specify part number and description.)

Item No.	Part No.	Description
1	815	Heating element only AH-301, 120V
	816	Heating element only AH-302, 220/240V
	30310	Heating element only AH-501, 120V
	30311	Heating element only AH-502, 220/240V
	30312	Heating element only AH-751, 120V
	30313	Heating element only AH-752, 220/240V
2	823	Element bracket mounting screws (set of 2)
3	824	Bracket bar for AH-301, AH-302
	825	Bracket bar for AH-501, AH-502, AH-751, AH-752
	826	Bracket spacers for AH-301, AH-302 (set of 3)
4	51535	Bracket spacers for AH-501, AH-502, AH-751, AH-752 (set of 2)
	827	Mica insulation for AH-501, AH-502, AH-751, AH-752
5	51376	Mica insulation for AH-301, AH-302
	60066	Bracket washer for all (set of 4)
6	60066	Bracket washer for all (set of 4)
7	56012	Bracket screws for AH-301, AH-302, AH-501, AH-502, AH-751, AH-752 (set of 2)
8	833	Element wire mounting nut (set of 2)
9	836	Nozzle for AH-301, AH-302
	837	Nozzle for AH-501, AH-751, AH-752
	838	Nozzle screws (set of 3)
10	838	Nozzle screws (set of 3)
11	839	Nozzle shield for AH-501, AH-502, AH-751, AH-752
	51207	Nozzle shield for AH-301, AH-302
12	842	Cordset, 120V AH-301, AH-501
	50924	Cordset, 120V AH-501C, AH-751
	843	Cordset, 220/240V (All models)
	GRT-023	Strain relief
13	GRT-023	Strain relief
14	GRT-019	Strain relief
15	845	Switch only
16	846	Switch nut (furnished with switch)
17	847	Switch plate
18	805	Lead wire with thermal fuse, switch to element
19	50927	Thermal fuse with terminals and shrink sleeve
20	50737	Handle
21	56003	Handle screws (set of 4)
22	20108	Complete adjustable stand assembly
23	56021	Elastic stop nut
24	51008	Motor blower assembly, 120V
	51009	Motor blower assembly, 220/240V
	56075	Lockwasher (under 1 cover screw)

Masterflow® Heat Blower replacement parts and accessories are engineered and manufactured to precise Master Appliance specifications. Replacement parts and accessories from other manufacturers are not produced to these precise specifications and, therefore, may cause difficulties with—or actual damage to—a Masterflow® Heat Blower. Master Appliance cannot assume any responsibility or liability for difficulties resulting from the use of any other brand of replacement parts or accessories with a Masterflow® Heat Blower.

## Full One Year Warranty

Your Masterflow® Heat Blower was carefully tested and inspected before it was shipped from the factory. We warrant this product to be free from defects in materials and workmanship under normal use and service for one year from date of purchase. In the event of a defect in materials or workmanship, we will either repair or replace, without charge, at our option, any part which in our judgement shows evidence of such defect.

This warranty does not apply to the attachments, or the heating element, which are items requiring periodic replacement, nor does it apply if the Masterflow® Heat Blower has been misused, abused, tampered with, or altered. At the end of the warranty period, Master Appliance shall be under no further obligation, expressed or implied. Some states do not allow limitations

on how long an implied warranty lasts, so the above limitation may not apply to you.

Master Appliance assumes no responsibility for and this warranty shall not cover any incidental or consequential damages from any defect in this product or its use. Some states do not allow the exclusion or limitation of incidental or consequential damages, so the above exclusion may not apply to you.

This warranty gives you specific rights and you may also have other rights which may vary from state to state.

**For warranty repair** a proof of purchase receipt or other appropriate proof of date is required with your return for warranty repair to Master Appliance. All warranty claims must be made to Master Appliance and not the distribu-

tor. We decline responsibility where repairs have been made or attempted by others. Any different guarantee made by others is not authorized by us. If a warranty claim is to be made please return your Masterflow® Heat Blower prepaid, with proof of purchase and a note describing the problem to our Repair Department. See below.

**For repair service** we charge a flat rate fee. Please call Master Appliance for the flat rate charge, return your Masterflow® Heat Blower prepaid, with a note describing the problem to:

**Master Appliance Corp.**  
Attention: Repair Department  
2420 18th Street  
Racine, Wisconsin 53403  
Phone (262) 633-7791  
Fax (262) 633-9745

## Description et introduction

À grand rendement et de qualité industrielle, le souffleur d'air chaud Masterflow® convient au service continu. Il produit un fort volume d'air chaud pour les applications industrielles pénibles. Son support réglable porte une encoche en forme de trou de serrure pour monter facilement l'appareil et permet à la buse de tourner de 90° (de l'horizontale à la verticale).

Votre appareil Masterflow® est équipé d'un fusible thermique qui protège l'élément contre la surchauffe ou la brûlure causée par une obstruction de la buse ou une panne du moteur.

**Les souffleurs d'air chaud constituent une source de chaleur sans flamme extrêmement élevée (jusqu'à 400°C/750°F).**

**Comme pour tous les appareils qui dégagent des températures extrêmement élevées, indépendamment de la nature de votre application particulière, une prudence et un soin extrêmes s'imposent lors de l'utilisation de cet appareil. Nous vous recommandons donc d'accorder toute votre attention aux consignes de sécurité présentées dans ce manuel pour votre protection.**

## Caractéristiques

Modèle	*Température		Volts	Amps
	°C	°F		
AH-301	50	300	120	10,0
AH-302	150	300	220/240	5,2
AH-501	260	500	120	14,0
AH-502	260	500	220/240	7,3
AH-751	400	750	120	18,0
AH-752	400	750	220/240	9,4

\*Température moyenne mesurée à 25 mm (1 po) de la buse.

## Importantes consignes de sécurité

**AVERTISSEMENT:** CET APPAREIL CONSTITUE UNE SOURCE DE CHALEUR SANS FLAMME À TRÈS HAUTE TEMPÉRATURE. COMME POUR TOUS LES APPAREILS ÉLECTRIQUES, RESPECTEZ TOUJOURS LES CONSIGNES DE SÉCURITÉ ORDINAIRES, Y COMPRIS CELLES QUI SUIVENT, POUR RÉDUIRE LES RISQUES D'INCENDIE, D'ÉLECTROCUTION OU DE LÉSION CORPORELLE.

1. Lisez et veillez à bien comprendre les instructions présentées dans ce manuel avant d'utiliser l'appareil. *Conservez ce manuel comme référence.*

**AVERTISSEMENT:** Afin de réduire les risques d'incendie ou d'électrocution, n'exposez jamais votre souffleur d'air chaud à la pluie ou à l'humidité. Rangez-le à l'intérieur. Branchez-le uniquement sur des prises mises à la terre.

2. N'utilisez aucun adaptateur de prise et n'ôtez en aucun cas la broche de terre de la fiche. Cet appareil est muni

d'une fiche à 3 broches et d'un système de mise à la terre à 3 fils. Ne le branchez que sur des prises adéquatement mises à la terre.

3. Ne raccordez ce souffleur d'air chaud qu'à des circuits de tension nominale adéquate afin d'éviter la surchauffe des circuits électriques.
4. Les souffleurs Masterflow émettent, par la buse, une chaleur sans flamme pouvant atteindre jusqu'à 400°C/750°F. Ne dirigez pas ce flux d'air chaud vers vos

## Importantes consignes de sécurité (suite)

- vêtements, vos mains ou toute autre partie de votre corps. N'utilisez pas le souffleur comme sèche-cheveux.
- Laissez refroidir l'orifice et le cylindre de protection de la buse avant de les toucher. En mode «HOT» [chaud], la buse dégage une température extrêmement élevée. Tenez toujours l'appareil par la poignée ou utilisez le support permanent.
  - Faites fonctionner votre souffleur en mode «COLD» [froid] avant de l'éteindre. Il faut environ 3 minutes pour refroidir la buse et son cylindre protecteur.
  - Évitez tout contact entre la buse et votre surface de travail. Maintenez la tête de la buse à une distance d'au moins 25 mm (1 po).
  - Veillez à la propreté de votre zone de travail. Désordre et encombrement favorisent les accidents et les blessures.
  - Tenez votre souffleur d'air chaud hors de portée des enfants. Les personnes étrangères au travail en cours doivent se tenir à l'écart de la zone de travail. Ne les laissez pas toucher l'appareil ou son cordon de rallonge.
  - Utilisez l'appareil dans une zone bien aérée. Ne l'utilisez pas à proximité de liquides inflammables ou dans un milieu propice aux explosions (en présence de gaz, vapeurs ou poussière).
  - Éliminez tous matériaux hautement inflammables et autres débris de la zone de travail.
  - Portez des lunettes de protection pendant toute la durée du travail.
  - Quand vous utilisez une rallonge, utilisez uniquement un cordon à 3 fils avec mise à la terre, d'une capacité minimale de calibre 14. Nous recommandons les cordons pour usage extérieur reconnus par les Underwriters Laboratories (UL) aux États-Unis ou par l'Association Canadienne de Normalisation (ACNOR) au Canada. Les cordons pour usage extérieur conviennent également aux applications intérieures.
  - Ne soumettez le cordon à aucun traitement abusif. Ne débranchez jamais l'appareil en tirant sur le cordon et ne le portez jamais en le tenant par le cordon.
  - N'enlevez pas le support réglable de l'appareil. Lorsque vous ne le tenez pas à la main, posez le souffleur sur une surface plate. Placez le cordon de manière à éviter le renversement de l'appareil.
  - Ayez toujours un extincteur plein à portée de la main.
  - Surveillez l'appareil en permanence lorsqu'il est allumé ou en cours de refroidissement.
  - Restez alerte. N'utilisez pas cet appareil quand vous êtes fatigué. Ayez recours à votre bon sens et accordez une attention soutenue à votre travail.
  - Rangez votre souffleur de manière adéquate. Laissez-le refroidir avant de le ranger. Rangez-le dans un endroit sec, à une certaine hauteur et hors de portée des enfants.
  - Débranchez toujours l'appareil avant de procéder à son entretien. Utilisez

uniquement des pièces de rechange de marque Master Appliance. Nous recommandons de faire effectuer tous les travaux d'entretien par un technicien qualifié, expérimenté dans la réparation des outils électriques, un organisme d'entretien qualifié ou par notre personnel technique.

- AVERTISSEMENT: Lorsqu'il est utilisé pour le soudage ou pour un autre usage semblable, cet appareil dégage des produits chimiques que l'état de Californie estime capables de causer le cancer et des malformations congénitales ou d'autres désordres de reproduction.**

### INSTRUCTIONS DE SECURITE LIRE CES INSTRUCTIONS

**ATTENTION:** Certaines surfaces cachées se trouvant derrière murs, plafonds, sols, plaques intrados ou autres panneaux peuvent contenir des matériaux inflammables que le pistolet à air chaud risque de calciner lors du travail dans ces endroits. La calcination de ces matériaux pourrait passer inaperçue et provoquer des dommages ou blesser des personnes. Ne pas utiliser en cas de doute sur ces dangers. Le travail dans de telles conditions doit se faire en bougeant le pistolet à air chaud avec un mouvement de va et vient. S'attarder ou s'arrêter sur un point pourrait mettre le feu au panneau ou au matériel qui est derrière. Le pistolet à air chaud s'utilise, dans ce cas, sur basse température (LOW).

#### Décaper la peinture

**ATTENTION:** Le décapage se fait avec un soin extrême. Les pelures, résidus et vapeurs de peinture peuvent contenir du

plomb, qui est un poison.

Toute peinture datant d'avant 1977 peut contenir du plomb et la peinture appliquée avant 1950 dans une maison d'habitation contient certainement du plomb. Une fois que le plomb s'est déposé sur les surfaces, il est possible d'en ingérer en portant la main à la bouche. Le simple fait d'être exposé à une quantité même minime de plomb peut entraîner d'irréparables lésions cérébrales et endommagements du système nerveux auxquels les enfants en bas âge et les bébés à naître sont particulièrement vulnérables.

Avant de commencer toute opération de décapage de peinture il faut déterminer si la peinture que vous allez enlever contient du plomb. Vous pouvez le faire faire à l'office régional de santé ou par un expert qui utilise un analyseur de peinture pour vérifier le contenu en plomb de la peinture à enlever.

**LA PEINTURE À BASE DE PLOMB DOIT ÊTRE ENLEVÉE PAR UN PROFESSIONNEL ET NE DEVRAIT PAS ÊTRE ENLEVÉE AU PISTOLET À AIR CHAUD.**

Toute personne décapant de la peinture doit suivre les recommandations suivantes.

1. Amenez la pièce à travailler dehors. Si ce n'est pas possible, il faut une ventilation constante du lieu de travail. Ouvrez les fenêtres et placez un ventilateur extracteur sur une d'entre-elles. Assurez-vous que le ventilateur déplace l'air de l'intérieur vers l'extérieur.
2. Enlevez ou couvrez les moquettes, tapis, meubles, vêtements, ustensiles de cuisine et conduites d'air.
3. Étendez des bâches dans l'aire de travail afin de col-

lecter tous éclats ou pelures de peinture. Portez des vêtements de protection, tels chemises de travail, combinaisons, casquettes.

4. Ne travaillez que dans une pièce à la fois. Il faut enlever les meubles ou les placer au centre de la pièce et les recouvrir. Les lieux de travail devraient être coupés du reste de l'habitation par des bâches pendues sur les portes.
5. Ni enfant, ni femme enceinte, potentiellement enceinte ou allaitant au sein ne doivent être présents sur les lieux de travail tant que le travail n'est pas fini et tout le nettoyage terminé.
6. Portez un masque respiratoire protecteur ou un masque respiratoire à filtre à double protection (poussières et vapeurs) homologué par l'Administration de la Santé et la Sécurité au Travail (OSHA), l'Institut National de la Sécurité et de la Santé (NIOSH) ou le United States Bureau of Mines. Ces masques et filtres changeables s'obtiennent facilement dans les grandes quincailleries. Assurez-vous que le masque est à votre taille. La barbe et les poils du visage peuvent empêcher la bonne adhésion du masque. Changez souvent de filtre. **LES MASQUES JETABLES EN PAPIER NE SONT PAS APPRÉIÉS.**
7. Utilisez le pistolet à air chaud avec précaution. Le pistolet à air chaud doit toujours être en mouvement car la chaleur excessive cause des vapeurs que l'opérateur peut respirer.
8. Aucune nourriture ou boisson ne doivent se trouver sur les lieux de travail. Lavez

vous les mains, les bras et le visage et rincez vous la bouche avant de manger ou de boire. Ne pas fumer, mâcher de chewing-gum ou priser de tabac sur les lieux de travail.

9. Nettoyez toute la peinture décapée ainsi que la poussière en essuyant avec une serpillière humide. Utilisez un torchon humide pour nettoyer les murs, rebords et toute autre surface où la peinture ou la poussière se sont déposés. **NE PAS BALAYER, ÉPOUSSETER À SEC OU PASSER L'ASPIRATEUR.** Utilisez un détergent riche en phosphate ou en trisodium phosphate (TSP) pour laver et essuyer les surfaces.
10. À la fin de chaque séance de travail, mettez les éclats et les débris dans un sac en plastique double que vous fermerez avec un ruban adhésif ou un fil de torsion et jetterez de façon adéquate.
11. Retirez les vêtements de protection et chaussures de travail sur les lieux de travail et évitez de porter de la poussière dans le reste de l'habitation. Lavez les habits de travail séparément. Essayez les chaussures avec un chiffon humide qui sera lavé avec les habits de travail. Lavez vous les cheveux et le corps complètement avec de l'eau et du savon.

### **CONSERVEZ CES INSTRUCTIONS**

Envoyez votre appareil à l'adresse suivante:

**Master Appliance Corp.**  
Attention: Repair Department  
2420 - 18th Street  
Racine, WI 53403 U.S.A.

## Mode d'emploi

Votre souffleur d'air chaud Masterflow® est un appareil à grand rendement, de qualité industrielle. Sa grande puissance et son débit d'air élevé vous permettront d'accomplir plus rapidement davantage de tâches de chauffage.

Cet appareil émet un flux rapide d'air chaud pouvant servir aux applications suivantes:

- Rétraction des éléments thermorétractables
- Rétraction des gaines entourant fils, faisceaux de câbles et capsules de bouteilles
- Séchage des encres et des peintures sur les sérigraphies, affiches, tissus et papiers

Ses usages sont aussi étendus que l'ingéniosité de l'utilisateur.

La quantité adéquate de chaleur convenant à chaque application dépend du numéro de modèle de l'appareil Masterflow® utilisé, de la distance de la buse par rapport à la surface de travail et de la

durée d'exposition à la chaleur.

Nous vous recommandons, avant chaque type d'application, d'essayer l'appareil sur une pièce de rebut. Approchez prudemment l'appareil de la surface de travail jusqu'à obtention de la combinaison adéquate entre la distance par rapport à la surface de travail et la durée d'application de la chaleur.

Pour appliquer la chaleur, procédez par un mouvement doux de va-et-vient, à moins qu'une concentration de chaleur soit souhaitable.

### Fonctionnement du souffleur

1. Branchez l'appareil sur une prise à tension nominale adéquate.
2. Placez l'interrupteur à bascule en position «HOT» [chaud]. Le souffleur atteindra sa température de fonctionnement maximale au terme d'environ deux minutes.

3. Le support réglable permet une rotation de la buse depuis une position presque horizontale jusqu'à la verticale.
4. Pour éteindre le souffleur, placez l'interrupteur en position «COLD» [froid]. Laissez l'appareil fonctionner à froid pendant environ trois minutes, de façon à laisser refroidir le souffleur et la buse.
5. Placez l'interrupteur en position «OFF» (arrêt).

Lors du travail dans un conteneur fermé, tel qu'un tunnel de thermorétrécissement ou une enceinte spéciale, le souffleur d'air chaud doit être constamment alimenté en air neuf, et un orifice de taille similaire doit assurer l'évacuation de l'air chaud. Une enceinte hermétiquement close peut, du fait de la chaleur extrême, endommager le souffleur ou provoquer une panne.

## Applications typiques

### Décapage de surfaces peintes

Outre ses nombreuses autres applications, le Masterflow Heat Blower est devenu un outil populaire de décapage de surfaces peintes. Sa puissance et son débit nominaux supérieurs en font l'outil de prédilection de nombreux professionnels de la restauration et rénovation pour les travaux ardu de décapage.

Nous recommandons, pour le décapage professionnel de surfaces peintes, l'usage du modèle AH-501 (120V), AH-501C (120V, au Canada) ou AH-502 (220/240V) uniquement.

### Consignes de sécurité

- 1) **ATTENTION:** Lors de l'utilisation d'un pistolet à air,

comme pour tous les outils chauffants, conservez un extincteur à portée de la main et prenez toutes les précautions anti-incendie appropriées.

L'usage de ce pistolet à air est déconseillé sur les surfaces **creuses** (planches de revêtement de mur extérieur, intrados, lambris, murs et

## Applications typiques (suite)

cloisons, etc.). Ces surfaces renferment souvent de matériaux inflammables tels que poussière, copeaux de bois, matière isolante, nids de rongeurs et autres débris susceptibles de prendre feu.

Votre pistolet à air convient le mieux au décapage de bois **massif** à moulures, tels les plinthes et garnitures d'intérieur, les portes, balustrades et garnitures en bois massif de porches et vérandas, etc.

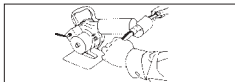
Lors du décapage de surfaces peintes, veillez à ne jamais interrompre le mouvement de va-et-vient du pistolet. Un arrêt ou une pause prolongée sur un point de la surface de travail peut enflammer la surface ou le matériau situé derrière cette surface.

- 2) Veillez à ne jamais inhaler ou avaler de peinture à base de plomb, sous quelque forme que ce soit. On trouve ce type de peinture dans de nombreux bâtiments anciens. La poussière, les raclures, résidus et vapeurs de peinture à base de plomb sont extrêmement nocifs. Pour éviter toute intoxication lors du décapage de surfaces revêtues de peinture à base de plomb, veillez à assurer une ventilation adéquate (à l'aide, par exemple d'un aérateur aspirant) et à maintenir propre votre zone de travail. En présence de poussière ou de vapeur, utilisez un masque à filtre à plomb. Dans la mesure du possible, travaillez à l'extérieur.

Vous vous exposerez, à défaut de suivre les précautions adéquates lors du

traitement de peinture à base de plomb, à un risque de saturnisme. Pour plus de détails, voyez les instructions présentées sous le titre «Décapage».

- 3) N'utilisez aucun décapant chimique. Ces produits sont inflammables et peuvent dégager des vapeurs nocives.
- 4) Veillez à assurer une ventilation adéquate de votre zone de travail (à l'aide, par exemple, d'un aérateur aspirant) et maintenez cette zone propre.
- 5) Protégez des gants et des lunettes de protection pendant toute la durée du travail.
- 6) Gardez un extincteur plein à portée de la main.
- 7) Restez alerte, accordez une attention soutenue à votre travail et ayez recours à votre bon sens.



### Thermorétraction de tubes isolants

Posez l'appareil sur son support afin de garder les deux mains libres. Glissez le tube sur la zone à isoler. Placez-le dans le flux d'air et déplacez-le d'un mouvement latéral jusqu'à ce qu'il rétracte.



### Séchage

Le séchage des encres et des peintures

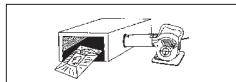
sur les impressions au tamis de soie, les affiches ou le papier peut se faire manuellement ou en montant directement les souffleurs d'air chaud au matériau de traitement.



### Emballage sous film rétractable

Votre souffleur Masterflow peut servir à toutes sortes d'applications de thermorétraction. Il peut, par exemple, servir à rétracter manuellement les capsules de bouteilles en agitant doucement la buse autour de la capsule jusqu'à ce que la capsule rétracte.

On peut monter un ou deux souffleurs d'air chaud de façon permanente à un système transporteur de manutention pour faire rétrécir les capsules au fur et à mesure du passage des bouteilles.



### Systèmes de tunnels de thermorétraction

L'appareil Masterflow peut s'utiliser sur des systèmes de tunnels de thermorétraction. Nous recommandons de monter le ou les souffleur(s) en position horizontale, pour éviter la surchauffe des souffleurs.

Si vous vous posez la moindre question au sujet de votre application particulière, n'hésitez pas à appeler notre Service Clients au (262) 633-7791.

## Entretien

Toutes les réparations et opérations d'entretien autres que celles recommandées dans ce manuel doivent être accomplies par un technicien qualifié et expérimenté dans la réparation des outils électriques, un organisme d'entretien qualifié ou par le Service d'Entretien de Master Appliance Corp.

Pour un service d'entretien et de réparation rapide et efficace, renvoyez votre appareil à l'adresse suivante:

### Master Appliance Corp.

Attention: Repair Department  
2420 - 18th Street  
Racine, WI 53403 U.S.A.

Veillez joindre à votre colis une note décrivant le problème rencontré ainsi que votre numéro de téléphone. Si votre appareil est toujours sous garantie, veuillez joindre une copie de la facture et indiquer la date d'achat.

### AVERTISSEMENT:

Débranchez toujours votre appareil avant de procéder à une opération d'entretien ou de réparation. N'utilisez que des pièces de rechange de marque Master Appliance identiques à celles enlevées.

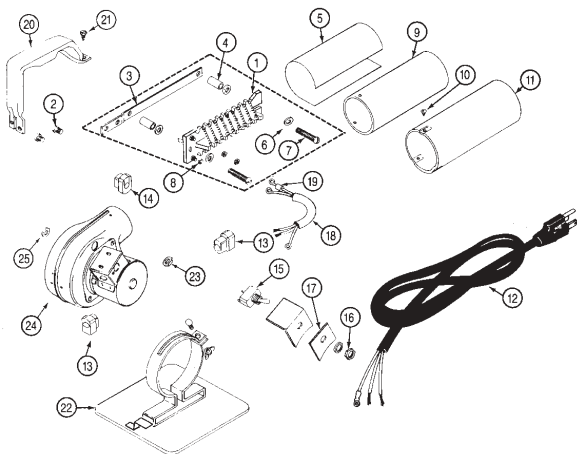
### Lubrification

Appliquez chaque année 2 à 3 gouttes d'huile SAE 20 non détersive aux trous de lubrification.

### Nettoyage

Débranchez le souffleur d'air chaud avant de le nettoyer. Ne nettoyez l'extérieur de l'appareil qu'à l'aide de savon doux et d'un chiffon humide. N'utilisez aucun autre agent d'entretien, pas plus que de la térébenthine, de l'essence, du diluant de vernis ou de peinture, ou autres dissolvants pouvant contenir des substances chimiques susceptibles d'endommager les pièces en plastique et autres matières isolantes. Ne plongez jamais l'appareil dans un liquide et ne laissez jamais de liquide pénétrer à l'intérieur. Veillez à ce qu'aucun débris n'obstrue les orifices soit de ventilation ou autres.

## Vue en éclaté



## Pièces de rechange Masterflow® – Tous modèles

(En passant commande, veuillez spécifier le numéro de la pièce et sa description)

Article n°	Pièce n°	Description
1	815	Élément de chauffage, 120V (modèle AH-301 uniquement)
	816	Élément de chauffage, 220/240V (modèle AH-302 uniquement)
	30310	Élément de chauffage, 120V (modèle AH-501 uniquement)
	30311	Élément de chauffage, 220/240V (modèle AH-502 uniquement)
	30312	Élément de chauffage, 120V (modèle AH-751 uniquement)
2	30313	Élément de chauffage, 220/240V (modèle AH-752 uniquement)
	823	Vis de montage pour support de l'élément (jeu de 2)
3	824	Barre de support pour AH-301, AH-302
	825	Barre de support pour AH-501, AH-502, AH-751, AH-752
4	826	Entretoise de support pour AH-301, AH-302 (jeu de 3)
	51535	Entretoise de support pour AH-501, AH-502, AH-751, AH-752 (jeu de 2)
5	827	Isolement au mica pour AH-501, AH-502, AH-751, AH-752
	51376	Isolement au mica pour AH-301, AH-302
6	60066	Rondelle de support pour tous modèles (jeu de 4)
7	56012	Vis de support pour AH-301, AH-302, AH-501, AH-502, AH-751, AH-752 (jeu de 2)
8	833	Écrou de montage du fil de l'élément (jeu de 2)
9	836	Buse pour AH-301, AH-302
	837	Buse pour AH-501, AH-751, AH-752
10	838	Vis de buse (jeu de 3)
11	839	Cylindre protecteur de buse pour AH-501, AH-502, AH-751, AH-752
	51207	Cylindre protecteur de buse pour AH-301, AH-302
12	842	Cordon, 120V, pour AH-301, AH-501
	50924	Cordon, 120V, pour AH-501C, AH-751
	843	Cordon, 220/240V (tous modèles)
13	GRT-023	Soulagement de traction
14	GRT-019	Soulagement de traction
15	845	Interrupteur uniquement
16	846	Écrou d'interrupteur (fourni avec l'interrupteur)
17	847	Plaque d'interrupteur
18	805	Fil conducteur avec fusible thermique (interrupteur à élément)
19	50927	Fusible thermique avec bornes et gaine rétractable
20	50737	Poignée
21	56003	Vis de poignée (jeu de 4)
22	20108	Ensemble support réglable complet
23	56021	Contre-écrou élastique
24	51008	Ensemble moteur de souffleur, 120V
	51009	Ensemble moteur de souffleur, 220/240V
25	56075	Rondelle d'arrêt

Les pièces de rechange et accessoires de l'appareil Masterflow® sont conçus et fabriqués conformément aux spécifications précises de Master Appliance. Les pièces de rechange et accessoires d'autres fabricants ne sont pas produits selon ces spécifications précises et peuvent dès lors être source de problèmes - voire de dégâts. Master Appliance n'assumera aucune responsabilité ou obligation en cas de difficultés liées à l'utilisation de pièces de rechange ou d'accessoires d'autres marques sur l'appareil Masterflow®.

## Garantie intégrale d'un an

Votre Masterflow® Heat Blower a été soigneusement testé et inspecté avant de quitter l'usine. Il est garanti contre tout défaut de matériel ou de fabrication révélé dans des conditions d'usage et d'entretien normales pendant une période d'un an à compter de la date d'achat de l'appareil. En cas de défaut de matériel ou de fabrication, nous réparerons ou remplacerons gratuitement, à notre gré, toute pièce qui, d'après notre jugement, présente un tel défaut.

Cette garantie ne couvre pas les accessoires, ni l'élément de chauffage, qui sont des articles nécessitant un remplacement périodique. Elle ne sera pas non plus applicable en cas d'usage inadéquat ou abusif, de modification ou de manipulation. Au terme de la période de garantie, la société Master Application Corp. ne sera plus tenue par aucune obligation de garantie, expresse ou tacite. Certaines provinces interdisent de limiter

la durée d'une garantie implicite, de sorte que la limitation ci-dessus ne s'applique peut-être pas à votre cas.

Master Appliance décline toute responsabilité pour, et cette garantie ne couvre, aucun dommage fortuit ou consécutif dû à un défaut de ce produit ou à son utilisation. Certaines provinces interdisent l'exclusion ou la limitation des dommages fortuits ou consécutifs; il est donc possible que l'exclusion ci-dessus ne s'applique pas à votre cas.

La présente garantie vous assure le bénéfice de droits précis, éventuellement complétés par d'autres, suivant la législation provinciale applicable.

**Réparation aux termes de la garantie:** Un reçu ou toute preuve d'achat datée appropriée est exigée pour le renvoi de votre appareil à Master Appliance. Toute réclamation aux termes de la garantie doit être adressée à Master

Appliance et non au concessionnaire. Nous déclinons toute responsabilité pour les réparations ou tentatives de réparation exécutées par des tiers. Nous n'autorisons aucune garantie différente offerte par des tiers. En cas de réclamation aux termes de la garantie, veuillez renvoyer votre appareil Masterflow® en port payé, accompagné d'une preuve d'achat et d'une note décrivant le problème rencontré à notre Département Entretien. Voir ci-dessous.

**Réparation:** Nous facturons un taux forfaitaire. Veuillez demander le taux forfaitaire à Master Appliance et renvoyer votre appareil Masterflow® en port payé, accompagné d'une note décrivant le problème à:

**Master Appliance Corp.**  
Attention: Repair Department  
2420 - 18th Street  
Racine, WI 53403 U.S.A.

Téléphone: (262) 633-7791  
Télécopieur: (262) 633-9745

## Descripción e introducción

El Masterflow® Heat Blower es una herramienta de calidad industrial, construido para trabajos pesados y apto para servicio continuo. La unidad produce un alto volumen de aire caliente para emprender las aplicaciones industriales exigentes. Su pedestal ajustable presenta una ranura en forma de ojo de cerradura que facilita el montaje del equipo y permite la rotación de la boquilla en 90° (desde una

posición horizontal hasta una posición vertical).

Su soplador Masterflow® está dotado de un fusible térmico que protege el elemento contra recalentamiento o quemadura por obstrucción de la boquilla o falla del motor.

**Los sopladores de aire caliente son una fuente de calor sin llamas a una temperatura extremadamente**

**alta (hasta 400°C/750°F). Igual que con otros productos que generan temperaturas extremadamente elevadas, independientemente de su aplicación específica, observe extremo cuidado y precaución al utilizar este producto. Para su protección, recomendamos que se preste atención especial a las instrucciones de seguridad presentadas en este manual.**

## Especificaciones

Modelo	*Temperatura		Voltios	Amperios
	°C	°F		
AH-301	50	300	120	10,0
AH-302	150	300	220/240	5,2
AH-501	260	500	120	14,0
AH-502	260	500	220/240	7,3
AH-751	400	750	120	18,0
AH-752	400	750	220/240	9,4

\*Temperatura promedio medida a 25 mm (1") de la boquilla.

## Importantes instrucciones de seguridad

**AVISO:** ESTE PRODUCTO ES UNA FUENTE DE CALOR, A MUY ELEVADA TEMPERATURA Y SIN LLAMAS. COMO CON CUALQUIER OTRA HERRAMIENTA ELÉCTRICA, SIEMPRE OBSERVE LAS PRECAUCIONES DE SEGURIDAD PARA REDUCIR LOS RIESGOS DE INCENDIO, DE CHOQUE ELÉCTRICO O DE LESIÓN CORPORAL.

1. Antes de usar esta herramienta, lea y comprenda este manual de instrucc-

iones. *Guarde este manual para futura referencia.*

**AVISO:** Para reducir el riesgo de incendio o de choque eléctrico, no exponga su soplador de aire caliente a la lluvia o humedad. Guárdelo bajo techo. Conecte la herramienta solamente a los tomacorrientes conectados a tierra.

2. No use adaptadores de enchufe ni remueva la espiga de tierra del enchufe. Esta herramienta está equipada con un enchufe para 3 espigas y

un sistema eléctrico trifilar con conexión a tierra. Conecte la herramienta solamente a los tomacorrientes debidamente conectados a tierra.

3. Para evitar el recalentamiento del sistema eléctrico, sólo use el soplador de aire caliente en circuitos eléctricos con la capacidad de carga adecuada.

4. El soplador Masterflow puede emitir por su boquilla un calor sin llamas con temperaturas hasta 400°C (750°F). No dirija esta corriente de aire caliente

## Importantes instrucciones de seguridad (continuación)

- hacia su ropa, las manos u otras partes del cuerpo. No use esta herramienta como secador de pelo.
- No toque la abertura de la boquilla o el protector de la boquilla hasta que esté frío. Cuando está en el modo "HOT" [caliente], la boquilla genera un calor extremadamente intenso. Siempre sujete la herramienta por su agarradera o utilice el pedestal que está sujeto en forma permanente.
  - Antes de apagar la herramienta, hágala funcionar en "COLD" [frío]. La boquilla y el protector de la boquilla requieren aproximadamente 3 minutos para enfriarse lo suficiente para permitir tocarlos.
  - No toque la superficie de trabajo con la boquilla. Mantenga la cara de la boquilla a una distancia de por lo menos 25 mm (1 pulg) de la superficie de trabajo.
  - Mantenga su área de trabajo limpia. Las áreas de trabajo descuidadas o desordenadas pueden provocar los accidentes y lesiones.
  - Mantenga esta herramienta fuera del alcance de los niños. Las personas ajenas al trabajo en curso deben quedar a una distancia prudente del área de trabajo. No las permita tocar la herramienta o su cable de extensión.
  - Use esta herramienta en un área bien ventilada. No la use cerca de líquidos inflamables o en un ambiente explosivo (en presencia de vapores, gases o polvo).
  - Remueva del área de trabajo todos los materiales altamente inflamables y otros desechos.
  - Siempre use gafas de seguridad cuando trabaje con esta herramienta.
  - Al usar una extensión, sólo use el cable eléctrico trifilar conectado a tierra con una capacidad mínima de calibre 14. Recomendamos que estos cables sean aprobados por los Underwriters Laboratories (UL) en los EE.UU. o por la Canadian Standards Association (CSA) en el Canadá. Los cables eléctricos marcados para uso exterior también son adecuados para uso interior.
  - No abuse del cable eléctrico. Nunca desconecte la herramienta tirando el cable para removerlo de un tomacorriente ni transporte la herramienta colgándola del cable.
  - No remueva el pedestal ajustable. Cuando la herramienta no se esté sujetando con la mano, colóquela sobre una superficie nivelada. Ponga el cable eléctrico de forma que no provoque el vuelco de la herramienta.
  - Mantenga a su alcance un extinguidor de incendios debidamente cargado.
  - No deje desatendido el soplador de aire caliente mientras estando en marcha o enfriándose.
  - Manténgase alerta. Si está cansado, no trabaje con la herramienta. Use el sentido común y ponga atención a lo que hace.
  - Guarde la herramienta en la forma adecuada. Deje enfriar la herramienta antes de guardarla. Guárdela en un lugar seco, alto y bajo llave. Manténgala fuera del alcance de los niños.
  - Antes de realizar cualquier mantenimiento, desconecte la herramienta. Al dar servicio a la herramienta, sólo use las piezas de repuesto Master Appliance. Recomendamos que todo mantenimiento sea realizado por un técnico experimentado en la reparación de herramientas eléctricas, o por una organización de servicio calificada o por nuestro personal de reparaciones.
  - ADVERTENCIA: El estado de California tiene conocimientos de que este producto, cuando se usa en soldaduras o aplicaciones similares, produce agentes químicos que pueden provocar cáncer, defectos congénitos y daños al sistema reproductor.**

### INSTRUCCIONES DE SEGURIDAD IMPORTANTES LEER ESTA INSTRUCCIONES

**ADVERTENCIA:** Las áreas que quedan escondidas, como detrás de paredes, techos, suelos, placas de techo y otros tipos paneles puedan contener materiales inflamables que se pueden incendiar por la acción de la pistola de aire caliente. La ignición de estos materiales pueden no ser evidente desde un principio y provocar daños en propiedades o personas. No utilizar la pistola si existen dudas sobre este riesgo. Al trabajar en lugares con estas características, mover la pistola hacia adelante y hacia atrás. Prolongar su uso o detenerse en un lugar puede incendiar el panel o el material situado tras él. La pistola de aire debe utilizarse con temperatura BAJA, que es aproximadamente el #8 en el dial de temperatura.

## Para quitar pintura

**ADVERTENCIA:** Se debe tener mucho cuidado al quitar pintura. Las capas de pintura, los residuos y los vapores pueden contener plomo, que es venenoso. Cualquier pintura anterior a 1977 puede contener plomo y la pintura que se aplicaba a los hogares antes de 1950 suele contener plomo. Una vez depositado sobre superficies, el contacto de la mano con la boca puede resultar en la ingestión del plomo. La exposición a niveles incluso muy bajos de plomo puede causar daños irreversibles en el cerebro y el sistema nervioso. Los niños pequeños y los fetos son particularmente vulnerables.

Antes de iniciar cualquier proceso para retirar pintura se debe determinar si dicha pintura contiene plomo. Esto puede ser llevado a cabo por el departamento de sanidad local o por un profesional que utilice un analizador de pintura para comprobar el contacto que ha tenido con el plomo la pintura que se ha de retirar.

**LAS PINTURAS CON BASE DE PLOMO SOLO DEBEN SER RETIRADAS POR UN PROFESIONAL Y NO DEBEN QUITARSE UTILIZANDO UNA PISTOLA DE AIRE CLIENTE.**

Las personas que retiren pintura deben seguir estas indicaciones.

1. Trasladar al aire libre la pieza con la que se ha de trabajar. Si esto no es posible, mantener bien ventilada el área de trabajo. Abrir las ventanas y colocar un ventilador en una de ellas. Asegurarse de que el ventilador se lleva el aire desde el interior hacia el exterior.
2. Retirar o cubrir las alfombras, alfombrillas, muebles,

ropa, utensilios de cocina y conductos de ventilación.

3. Cubrir el suelo del área de trabajo con telas, para recoger las virutas o capas de pintura. Llevar ropas de protección como camisas, monos y gorros para trabajos especiales.
4. Trabajar en una sola habitación. Los muebles deben ser retirados o colocados en el centro de la habitación y cubiertos. Las áreas de trabajo deben aislarse para separarlas del resto de la vivienda, sellando la puerta con telas colocadas en el suelo.
5. Los niños, las mujeres embarazadas o con posibilidades de estrarlo y las madres lactantes no deben estar presentes en el área de trabajo hasta que éste se haya acabado y todo esté limpio.
6. Llevar una mascarilla de respiración de polvo o una mascarilla de respiración con filtro dual (polvo y homo) que esté aprobada por la Occupational Safety and Health Administration (OSHA) – Administración de Salud y Seguridad – el National Institute of Saety and Health (NIOSH) – Instituto Nacional de Salud y Seguridad – o el United States Bureau of Mines – Negociado de Minas de los Estados Unidos –. Estas mascarillas y los filtros de recambio se pueden obtener en tiendas mayoristas. asegurarse de que la mascarilla ajusta bien. La barba y el pelo de la cara pueden impedir que las mascarillas queden debidamente ajustadas. Cambiar los filtros a menudo. **LAS MASCARILLAS DE PAPEL DESECHABLES NO SON ADECUADOS.**

7. Tener cuidado al manejar la pistola de aire caliente. Mantenerla en movimiento ya que un calor excesivo generará humos que pueden ser inhalados por el operario.
8. Mantener la comida y bebida fuera del Earea de trabajo. Lavarse las manos, los brazos y la cara y aclararse la boca antes de comer o beber. No fumar o mascar chicle o tabaco en el área de trabajo.
9. Retirar toda la pintura que se ha quitado y el polvo fregando el suelo. Utilizar un paños húmedo para limpiar todas las paredes, umbrales y cualquier otra superficie donde haya pintura o polvo. **NO BARRER, NI LIMPIAR EN SECO NI ASPRAR EL POLVO.** Utilizar un detergente con alto contenido en fosfatos o fosfato trisódico (TSP) para lavar la y fregar las superficies afectadas.
10. Al finalizar cada sección de trabajo, colocar las virutas de pintura y otros residuos en una bolsa de plástico doble, cerrarla con cinta adhesiva o cintas retorcidas y tirarla en un contenedor adecuado.
11. Quitarse la ropa de protección y los zapatos en el área de trabajo para no llevar el polvo al resto de la vivienda. Lavar la ropa de trabajo por separado. Limpiar los zapatos con un paño húmedo y lavarlo junto con la ropa la trabajo. Lavar bien el cabello y cuerpo con agua y jabón.

## GUARDAR ESTAS INSTRUCCIONES

Remita su producto a:

**Master Appliance Corp.**  
Attention: Repair Department  
2420 - 18th Street  
Racine, WI 53403 EE.UU.

## Instrucciones de operación

Su soplador de aire caliente Masterflow® es una herramienta de calidad industrial para trabajos pesados. Su alta potencia y flujo de aire extra fuerte le permitirán realizar más tareas de calentamiento con mayor rapidez.

Este soplador proporciona un flujo rápido de aire caliente para aplicaciones tales como:

- Contracción de materiales termoencogibles
- Contracción de envolturas plásticas sobre cables, arneses y tapas de botellas
- Secado de tintas y pinturas en pantallas de seda, carteles, telas y papeles

Sus usos sólo tienen por límite su propia ingeniosidad.

La cantidad adecuada de calor para cada aplicación depende del número del modelo del Masterflow que se esté usando, la distancia hasta la superficie de trabajo y el tiempo durante el cual se aplique el calor a la superficie de trabajo.

Antes de realizar cualquier aplicación, recomendamos que experimente con un pedazo de material desechable. Tenga cuidado al acercarse a la superficie de trabajo hasta que usted encuentre la combinación apropiada de distancia a la superficie de trabajo y de tiempo de aplicación del calor.

Use un movimiento suave hacia adelante y hacia atrás al aplicar el calor, a menos que se estime adecuado concentrar el calor.

### Para operar su soplador de aire caliente:

1. Conecte el soplador a una salida eléctrica con la capacidad adecuada.
2. Coloque el conmutador de palanca acodillada en la posición de "HOT" [caliente]. El soplador alcanzará su temperatura de funcionamiento total en aproximadamente dos minutos.
3. El pedestal ajustable permite la rotación de la

boquilla desde la posición casi horizontal hasta la posición vertical.

4. Para apagar el soplador después de usarlo, coloque el conmutador en la posición de "COLD" [frío]. Hágalo funcionar en "COLD" por aproximadamente tres minutos. Esto permitirá que el soplador se enfríe y se pueda tocar la boquilla.
5. Coloque el conmutador en la posición de "OFF" [apagado].

Quando se usa el soplador de aire caliente dentro de un contenedor cerrado, como un túnel de contracción o algún otro envase especial, se debe permitir la entrada de aire fresco en el soplador; igualmente hay que tener un orificio de igual tamaño para facilitar la evacuación del aire caliente. Un enclaustramiento total provocará daños o posible falla en el soplador debido al extremo calor generado.

## Aplicaciones típicas

### Remoción de pintura

Además de muchos otros usos, la Masterflow Heat Blower se ha convertido en una herramienta popular para remover pintura. Debido a su mayor potencia y flujo de aire extra fuerte, muchos contratistas profesionales de restauración y renovación, la reconocen como la herramienta de selección para las tareas duras de remover pintura.

Para las aplicaciones profesionales de remover pinturas,

recomendamos usar los | modelos AH-501 (120V), AH-501C (120V, en el Canadá) o AH-502 (220/240V) solamente.

### Instrucciones de seguridad para remover pinturas

- 1) **AVISO:** Con una pistola de aire caliente, como con todas las herramientas térmicas, siempre mantenga accesible un extinguidor de incendios y observe todas las precauciones sensatas contra incendios.

No recomendamos el uso de esta pistola de aire caliente sobre superficies **huecas** tales como tablas de pared exterior, paredes interiores, sofitos, paneles, tabiques, etc. Estas superficies frecuentemente contienen materiales inflamables como polvo, astillas de madera, aislamiento, nidos de roedores y otros desechos que accidentalmente podrían incendiarse.

## Aplicaciones típicas (continuación)

El mejor uso para su pistola de aire caliente es el de remover la pintura de obras de madera **sólida** con sus entrantes y salientes tales como zócalos y adornos interiores, molduras, piezas torneadas, puertas, balaustres, adornos de portales, etc.

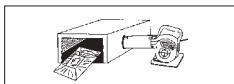
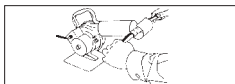
Al remover pintura, siempre mantenga la pistola con un movimiento continuo hacia adelante y hacia atrás. El detenerse o prolongar una pausa en un punto determinado podría inflamar una superficie sobre la cual se trabaja o el área detrás de la misma.

- 2) No respire los vapores o ingiera en forma alguna las pinturas con base de plomo. Muchas casas antiguas y otros edificios contienen pinturas con base de plomo. El

polvo, las raspaduras, los residuos y vapores de pintura con base de plomo son extremadamente venenosos. Al remover este tipo de pintura, evite las posibilidades de envenenamiento con plomo [saturismo] empleando una ventilación adecuada (como un ventilador de ventana en su modo de extractor) y conservando un área de trabajo limpia. Ante la presencia de polvo o vapores de plomo, use un dispositivo respirador diseñado para filtrar plomo. Siempre que sea posible, mueva el trabajo al exterior. La negligencia en tomar las precauciones de seguridad adecuadas al trabajar con pinturas a base de plomo, podría conducir al envenenamiento con plomo [saturismo]. Para informa-

ción adicional, vea neustras "Instrucciones para remover la pintura."

- 3) No utilice ninguno de los productos químicos para remover pinturas. Estos productos con susceptibles de inflamarse y despidir vapores dañinos.
- 4) Use una ventilación adecuada (como un ventilador de ventana en su modo de extractor) y conserve limpia su área de trabajo.
- 5) Use guantes y gafas de seguridad cuando trabaje con esta herramienta.
- 6) Siempre mantenga accesible un extinguidor de incendios totalmente cargado.
- 7) Manténgase alerta, observe lo que hace y haga uso del sentido común.



### Contracción térmica de tubos aisladores

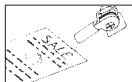
Ponga el soplador en su pedestal para dejar libres ambas manos. Deslice el tubo sobre el área que se vaya a aislar. Sitúe el tubo en la corriente de aire caliente y muévalo de un lado a otro hasta que se haya encogido.

### Contracción térmica de envolturas plásticas

Su soplador Masterflow puede emplearse en toda una variedad de aplicaciones de contracción térmica. Por ejemplo, se puede emplear para encoger manualmente tapas de botellas moviendo suavemente la boquilla alrededor de la tapa hasta que se haya encogido.

### Sistema de túnel de contracción térmica

El soplador Masterflow puede emplearse en sistemas de túneles de contracción térmica. Recomendamos montar el soplador o los sopladores en una posición horizontal para evitar el recalentamiento del soplador.



### Secado

El secado de tintas y pinturas sobre pan-

tallas de seda, carteles o papel se puede hacer en forma manual o montando el soplador de aire caliente directamente en el equipo de elaboración.

Uno o dos sopladores de aire caliente se pueden montar permanentemente en el sistema de correa transportadora para contraer las tapas a medida que pasan las botellas.

Si tiene alguna pregunta relacionada con la aplicación o empleo específico de su soplador de aire caliente, no deje de llamar a nuestro Departamento de Ventas al teléfono (262) 633-7791.

## Instrucciones de mantenimiento

Toda reparación o servicio de mantenimiento fuera de lo recomendado en este manual de instrucciones, debe ser realizado por un técnico experimentado en la reparación de herramientas eléctricas, o por una organización de servicio calificada, o por el Departamento de Servicio de Master Appliance Corp.

Para un servicio de reparación y de mantenimiento rápido y eficaz, remita su producto a:

### **Master Appliance Corp.**

Attention: Repair Department  
2420 - 18th Street  
Racine, WI 53403 EE.UU.

Favor de adjuntar una nota describiendo el problema y su número de teléfono. Si todavía se encuentra bajo garantía, favor de adjuntar una copia de su factura con la fecha de compra de la unidad.

**AVISO:** Antes de realizar cualquier reparación o mantenimiento, siempre desconecte su herramienta del suministro eléctrico. Sólo use las piezas de repuesto de la marca Master Appliance.

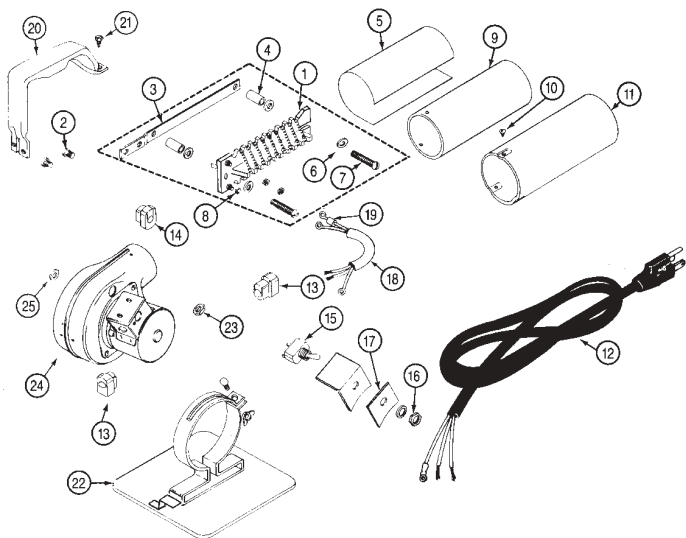
### **Lubricación**

Una vez al año, aplique 2 ó 3 gotas de aceite SAE 20 sin detergente en los agujeros de lubricación.

### **Limpieza**

Antes de comenzar la limpieza, desconecte el soplador de aire caliente del suministro eléctrico. Para limpiar el exterior de la herramienta, use un jabón suave y una tela húmeda. No use agentes limpiadores, trementina [aguarrás], gasolina, diluyente de laca o de pintura u otros disolventes conteniendo sustancias químicas que pueden ser dañinas a los materiales plásticos y otros materiales aislantes. Nunca sumerja la herramienta en un líquido ni permite que un líquido penetre en el interior de la herramienta. Cerciórese de que todas las aberturas y áreas de ventilación estén limpias y libres de desechos.

## Vista esquemática



## Piezas de repuesto para todos los modelos Masterflow®

(Al efectuar un pedido de piezas de repuesto, favor de especificar el número de la pieza y su descripción)

N.º Rubro	N.º Pieza	Descripción
1	815	Elemento calefactor, 120V (sólo modelo AH-301)
	816	Elemento calefactor, 220/240V (sólo modelo AH-302)
	30310	Elemento calefactor, 120V (sólo modelo AH-501)
	30311	Elemento calefactor, 220/240V (sólo modelo AH-502)
	30312	Elemento calefactor, 120V (sólo modelo AH-751)
2	30313	Elemento calefactor, 220/240V (sólo modelo AH-752)
	823	Tornillo de montaje para el soporte del elemento (juego de 2)
3	824	Barra de soporte para AH-301, AH-302
	825	Barra de soporte para AH-501, AH-502, AH-751, AH-752
4	826	Espaciador de soporte para AH-301, AH-302 (juego de 3)
	51535	Espaciador de soporte para AH-501, AH-502, AH-751, AH-752 (juego de 2)
5	827	Aislamiento de mica para AH-501, AH-502, AH-751, AH-752
	51376	Aislamiento de mica para AH-301, AH-302
6	60066	Arandela de soporte para todos los modelos (juego de 4)
7	56012	Tornillo de soporte para AH-301, AH-302, AH-501, AH-502, AH-751, AH-752 (juego de 2)
8	833	Tuerca de montaje del alambre del elemento (juego de 2)
9	836	Boquilla para AH-301, AH-302
	837	Boquilla para AH-501, AH-751, AH-752
10	838	Tornillo de boquilla (juego de 3)
11	839	Protector de la boquilla para AH-501, AH-502, AH-751, AH-752
	51207	Protector de la boquilla para AH-301, AH-302
12	842	Cable de alimentación, 120V, para AH-301, AH-501
	50924	Cable de alimentación, 120V, para AH-501C, AH-751
	843	Cable de alimentación, 220/240V (todos los modelos)
13	GRT-023	Protección contra los tirones
14	GRT-019	Protección contra los tirones
15	845	Interruptor solamente
16	846	Tuerca de interruptor (suministrada con el interruptor)
17	847	Placa de interruptor
18	805	Conductor con fusible térmico, interruptor al elemento
19	50927	Fusible térmico con terminales y envoltura termoencogible
20	50737	Agarradera
21	56003	Tornillo de la agarradera (juego de 4)
22	20108	Conjunto completo de pedestal ajustable
23	56021	Tuerca elástica de seguridad
24	51008	Conjunto de motor del soplador, 120V
	51009	Conjunto de motor del soplador, 220/240V
25	56075	Arandela de seguridad

Las piezas de repuesto y los accesorios para el soplador Masterflow® están diseñados y fabricados según las especificaciones precisas de Master Appliance. Piezas de repuesto y accesorios procedentes de otros fabricantes no están fabricados de acuerdo a estas especificaciones precisas y por lo tanto, pueden provocar dificultades y daños a su soplador Masterflow®. Master Appliance no puede asumir ninguna obligación o responsabilidad civil por dificultades derivadas del uso de piezas de repuesto o accesorios procedentes de otras marcas usadas en un soplador Masterflow®.

## Garantía total por un año

Su Masterflow® Heat Blower fue cuidadosamente probado e inspeccionado antes de salir de la fábrica. Garantizamos que este producto está libre de defectos tanto en materiales como en fabricación bajo condiciones de uso y servicio normales durante un año a partir de la fecha de compra. En caso de que aparezca un defecto en materiales o fabricación, repararemos o reemplazaremos, sin cargo y a nuestra opción, cualquier pieza que a nuestro juicio muestre señales de tal defecto.

Esta garantía no es válida para los aditamentos o el elemento calefactor, los cuales son piezas que requieren su reemplazo periódico; tampoco es válida si el soplador Masterflow® ha recibido maltrato, abuso, alteraciones o modificaciones. Al final del período de garantía, Master Appliance no tendrá obligaciones de garantía adicionales, ni expresas ni implícitas. Algunos estados no permiten limitaciones en la

duración de una garantía implícita, de manera que la limitación anterior puede que no afecte su caso.

Master Appliance no asume responsabilidad de, ni esta garantía cubre, ningún daño incidental o emergente de cualquier defecto en este producto o en su uso. Algunos estados no permite la exclusión o limitación de daños incidentales o emergentes, de manera que la exclusión anterior puede que no afecte su caso.

Esta garantía le brinda derechos legales específicos, y usted podría tener otros derechos según la legislación regional aplicable.

**Para reparaciones por garantía:** Se requiere un recibo de prueba de compra u otra prueba adecuada indicativa de la fecha de compra que debe ser incluida con el producto remitido para reparaciones a Master Appliance. Todas las reclamaciones por garantía deben hacerse a

Master Appliance y no al distribuidor. Master Appliance no será responsable de reparaciones realizadas o intentadas por terceros. No autorizamos ninguna garantía distinta, hecha por terceros. En caso de una reclamación por garantía, favor de devolver su herramienta Masterflow® con transporte previamente pagado, con prueba de compra y una nota explicativa del problema, a nuestro departamento de servicio. Vea a continuación.

**Para servicios de reparación:** Cargamos una tasa uniforme. Favor de llamar a Master Appliance para conocer el cargo por tasa fija. Devuelva su herramienta Masterflow® con transporte previamente pagado adjuntando una nota explicativa del problema, a:

**Master Appliance Corp.**  
Attention: Repair Department  
2420 - 18th Street  
Racine, WI 53403 EE.UU.

Teléfono: (262) 633-7791  
Fax: (262) 633-9745



**MASTER**<sup>®</sup>  
APPLIANCE

**Master Appliance Corp.**

2420 18th St. • Racine, WI 53403

Tel: (262) 633-7791 • Fax: (262) 633-9745

E-mail: [sales@masterappliance.com](mailto:sales@masterappliance.com)







Please visit our Web Site: [www.masterappliance.com](http://www.masterappliance.com)

# Looking for pricing, stock, or lifecycle

Click below to explore more details on WIN SOURCE

-  [View 30313](#) on WIN SOURCE
-  [Master Appliance Co](#) Information

## Optimize Your Supply Chain with WI

-  Global Sourcing Solution
-  Obsolete Management
-  Cost Control Management
-  Shortage Management
-  Alternative Solution
-  Excess Inventory Management