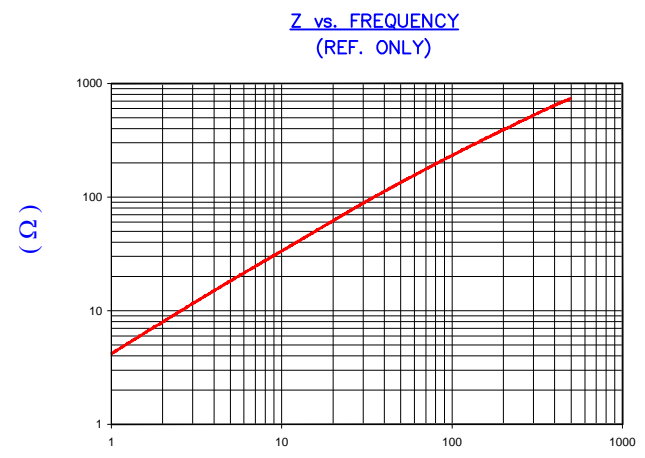
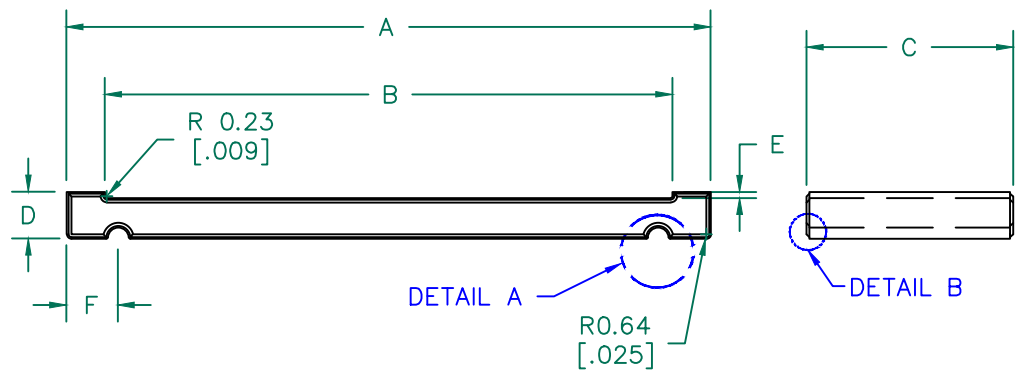




**THE DATASHEET OF**  
**28S2012-0M0**



IMPEDANCE ( Z )			
Frequency	25 MHz	100 MHz	300 MHz
Nominal (REF)	80 Ω	240 Ω	630 Ω
Minimum	- Ω	192 Ω	- Ω

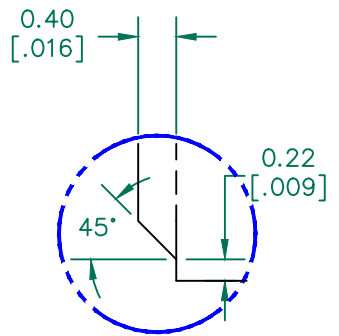
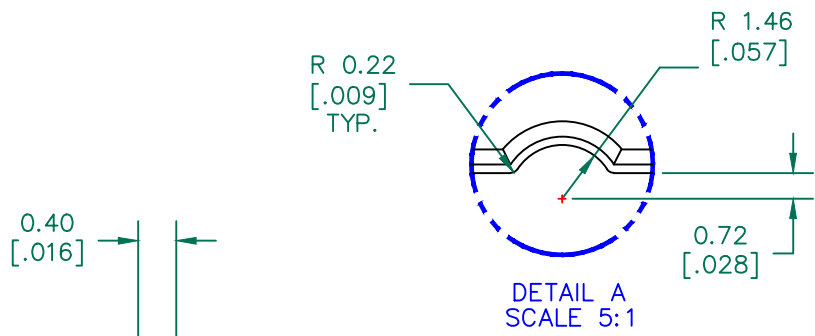


FREQUENCY (MHz)  
 AGILENT E4991A Impedance/Material Analyzer  
 HP 16092A-Test Fixture

FERRITE CORE DIMENSIONS (SPEC): mm [in]

A	88.90 [3.500]	+	1.78 [0.070]
B	78.23 [3.080]	+	1.52 [0.060]
C	28.58 [1.125]	+	0.76 [0.030]
D	6.48 [.255]	+	0.25 [0.010]
E	0.84 [0.033]	+	0.25 [0.010]
F	7.62 [.300]	+	0.05 [0.002]

WEIGHT/1000 70.97 kgs 156.47 Lbs





NOTES: UNLESS OTHERWISE SPECIFIED

1. COSMETIC SPECIFICATION REFER TO WI-QA-038.
2. ADD METAL CLIPS FOR SHIPPING P/N ASSE017-2.

DIMENSIONS ARE IN mm [INCHES].				This print is the property of Laird Tech. and is loaned in confidence subject to return upon request and with the understanding that no copies shall be made without the written consent of Laird Tech. All rights to design or invention are reserved.					
REV	DESCRIPTION	DATE	INT						
G	CHANGE F DIMENSION	11/24/09	Jcai	PROJECT/PART NUMBER: <b>28S2012-0M0</b>		REV	G	PART TYPE: FERRITE	DRAWN BY: JBE
F	UPDATE PRINT FORMAT & Z SPECS ADD CURVE, REM SCALE DWG	07/08/03	JRK			SCALE:	-	MATERIAL: FERRITE	
E	COR PART WGT, REM NOTES 1 & 3	09/12/02	JRK	DATE:	11/30/94	TOOL #	S2012		
D	REACTIVATE PRINT, UPDATE PRINT FORMAT AND DIMENSIONSE, REVISE Z SPECS	10/24/01	TMB	DATE:		11/30/94			
C	UPDATE P/N FOR NEW CATALOG	11/13/95	JBE	CAD #		28S2012-0M0-G			
B	CHANGE TO METAL CLIPS	11/30/94	JBE	DATE:		11/30/94			
A	ORIGINAL DRAFT	11/30/94	JBE	DATE:		11/30/94			
REV	DESCRIPTION	DATE	INT	DATE:		11/30/94			

## Looking for pricing, stock, or lifecycle information?

Click below to explore more details on WIN SOURCE:

-  [View 28S2012-0M0 on WIN SOURCE](#)
-  [Laird-Signal Integrity Products Information](#)

## Optimize Your Supply Chain with WIN SOURCE Solutions

-  Global Sourcing Solution
-  Obsolete Management
-  Cost Control Management
-  Shortage Management
-  Alternative Solution
-  Excess Inventory Management