



**THE DATASHEET OF
22AR100LFTR**



Single Turn Trimmer

Model 22



Features:

- 3 mm square
- Sealed single turn
- Cermet
- Surface mount
- Cross Slot option



Model Styles Available

| | |
|-----------------------------|------|
| J Hook | 22A |
| Side Adjust | 22S |
| J Hook with Cross Slot | 22AC |
| Side Adjust with Cross Slot | 22SC |

Electrical

| | |
|-----------------------------------|--|
| Standard Resistance Range | 10 ohms to 2 Megohms |
| Standard Resistance Tolerance | ±20% |
| Residual Resistance, Maximum | 1% or 3 ohms Max., whichever is greater |
| Resistance Taper | Linear |
| Maximum Operating Voltage | 200 Vdc Max. or rms not to exceed power rating |
| Rated Power | 0.125 Watts at 70°C derating to 0 at 125°C |
| Dielectric Strength | 500 Vrms |
| Actual Electrical Travel, Nominal | 220° |
| Insulation Resistance | 100 Megohms Min. |
| Contact Resistance Variation | 3% or 3 ohms Max., whichever is greater |
| Resolution | Essentially infinite |

Environmental

| | |
|-----------------------------|--|
| Seal | 85°C Fluorinert (No Leaks) |
| Temperature Coefficient | ±100 ppm/°C (<100 Ohms = ±150 ppm/°C) |
| Operating Temperature Range | -55°C to +125°C |
| Thermal Shock | Five cycles -55°C to +125°C (2% ΔRt, 1% ΔVR) |
| Moisture Resistance | Ten 24 hour cycles (3% ΔRt) |
| Shock | 6ms sawtooth, 100 G's (1% ΔRt, 1% ΔVR) |
| Vibration | 20 G's, 10 to 2,000 Hz (1% ΔRt, 1% ΔVR) |
| High Temperature Exposure | 250 hours at 125°C (2% ΔRt, 2% ΔVR) |
| Rotational Life | 100 cycles (3% ΔRt) |
| Load Life | 1,000 hours at 70°C & 0.125 Watts (3% ΔRt, 1% ΔVR) |
| Resistance to Solder Heat | 250°C for 10 seconds |
| RoHS | Please refer to TT Electronics Website |
| REACH | Please refer to TT Electronics Website |

General Note
TT Electronics reserves the right to make changes in product specification without notice or liability. All information is subject to TT Electronics' own data and is considered accurate at time of going to print.

TT Electronics | BI Technologies
Circulo de la Amistad #102 PIMSA IV Mexicali B.C. Mexico C.P 21210
Ph: + 1 (714) 447-2345
www.ttelectronics.com/bi-technologies

Single Turn Trimmer

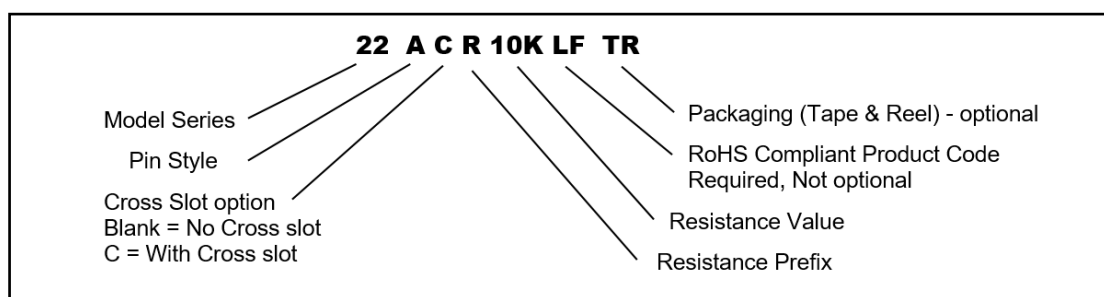
Model 22



Mechanical

| | |
|---------------------|--------------------------------|
| Mechanical Stop | Solid |
| Mechanical Rotation | 250° nominal |
| Stop Strength | 1.3 in. oz Min (300 g-cm) |
| Torque | 0.65 in. oz. Max. (150 g-cm) |
| Weight | 0.002 oz. nominal (0.14 grams) |
| Wiper Position | Approximately 50% of Rt |

Ordering Information



Packaging Information

Standard (no code): Boxes. Capacity = 100 units.

Option (TR code): Tape & Reel. All units oriented with #2 (slider) pin adjacent to sprocket holes.

| | Pin Style | A | S |
|------|------------|-------------|--------------|
| Tape | Width = | 12 mm | 16 mm |
| | Sprocket = | 4 mm pitch | 4 mm pitch |
| | Capacity = | 1000 units | 200 units |
| Reel | Diameter = | 7" (178 mm) | 10" (254 mm) |

Circuit Diagram



Standard Resistance Values, Ohms

| | | | | | |
|----|-----|----|-----|------|-------|
| 10 | 100 | 1K | 10K | 100K | 1 Meg |
| 20 | 200 | 2K | 20K | 200K | 2 Meg |
| 50 | 500 | 5K | 50K | 500K | |

General Note

TT Electronics reserves the right to make changes in product specification without notice or liability. All information is subject to TT Electronics' own data and is considered accurate at time of going to print.

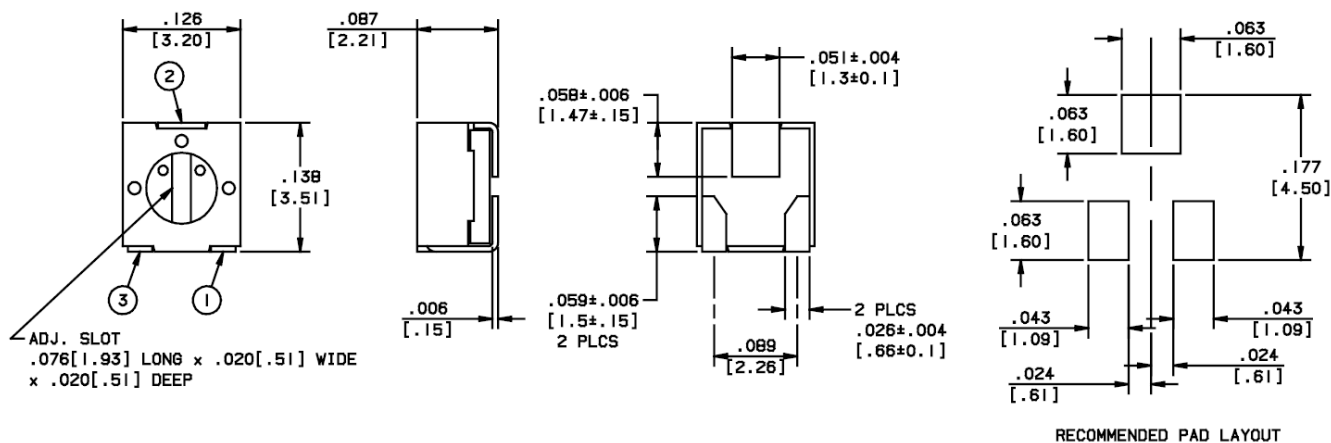
Single Turn Trimmer

Model 22

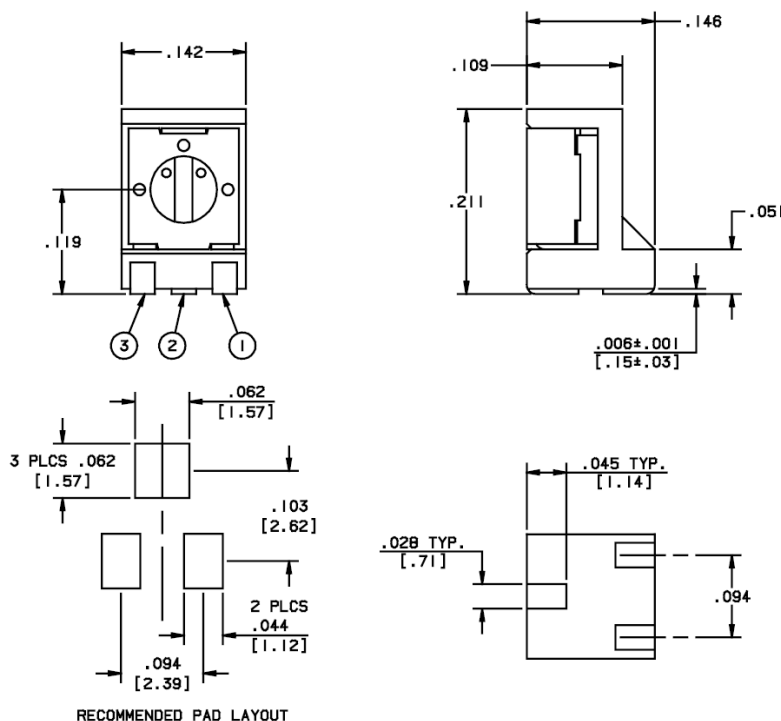


Outline Drawings

Model 22A— Top Adjust



Model 22S—Side Adjust



General Note
 TT Electronics reserves the right to make changes in product specification without notice or liability. All information is subject to TT Electronics' own data and is considered accurate at time of going to print.

TT Electronics | BI Technologies
 Circulo de la Amistad #102 PIMSA IV Mexicali B.C. Mexico C.P 21210
 Ph: + 1 (714) 447-2345
www.ttelectronics.com/bi-technologies

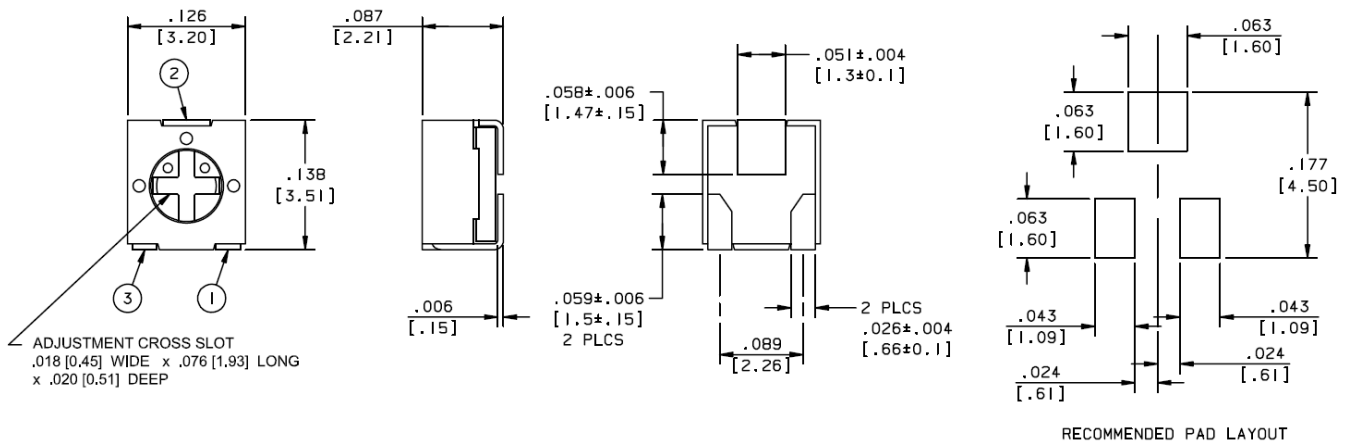
Single Turn Trimmer

Model 22

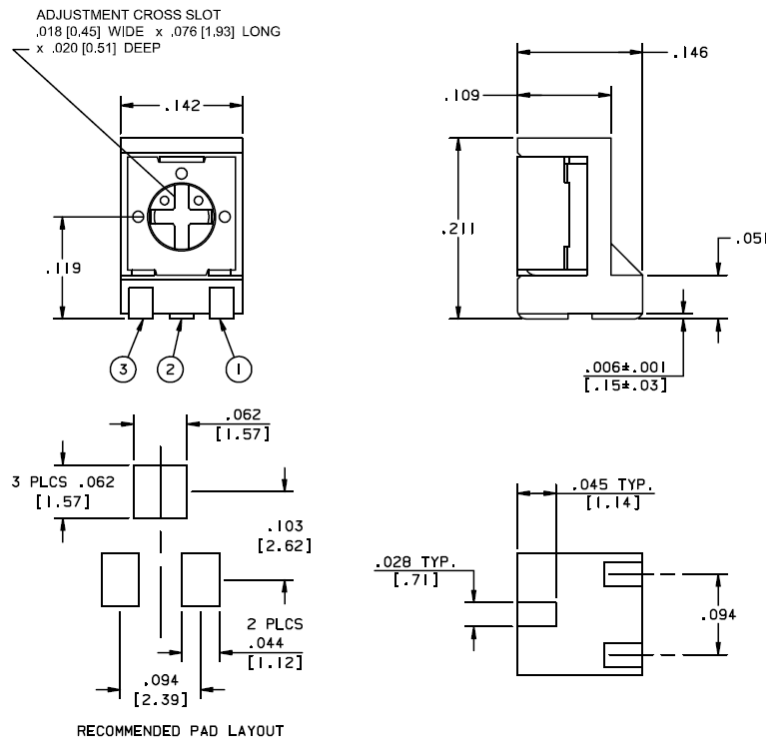


Outline Drawings

Model 22AC—With Cross Slot adjustment



Model 22SC—With Cross Slot adjustment



Dimensions are Inches [mm], Tolerances are ±.01 inch [±0.25 mm] unless otherwise stated.

General Note

TT Electronics reserves the right to make changes in product specification without notice or liability. All information is subject to TT Electronics' own data and is considered accurate at time of going to print.

Looking for pricing, stock, or lifecycle information?

Click below to explore more details on WIN SOURCE:

 [View 22AR100LFTR on WIN SOURCE](#)

 [TT Electronics](#) Information

Optimize Your Supply Chain with WIN SOURCE Solutions

-  Global Sourcing Solution
-  Obsolete Management
-  Cost Control Management
-  Shortage Management
-  Alternative Solution
-  Excess Inventory Management