

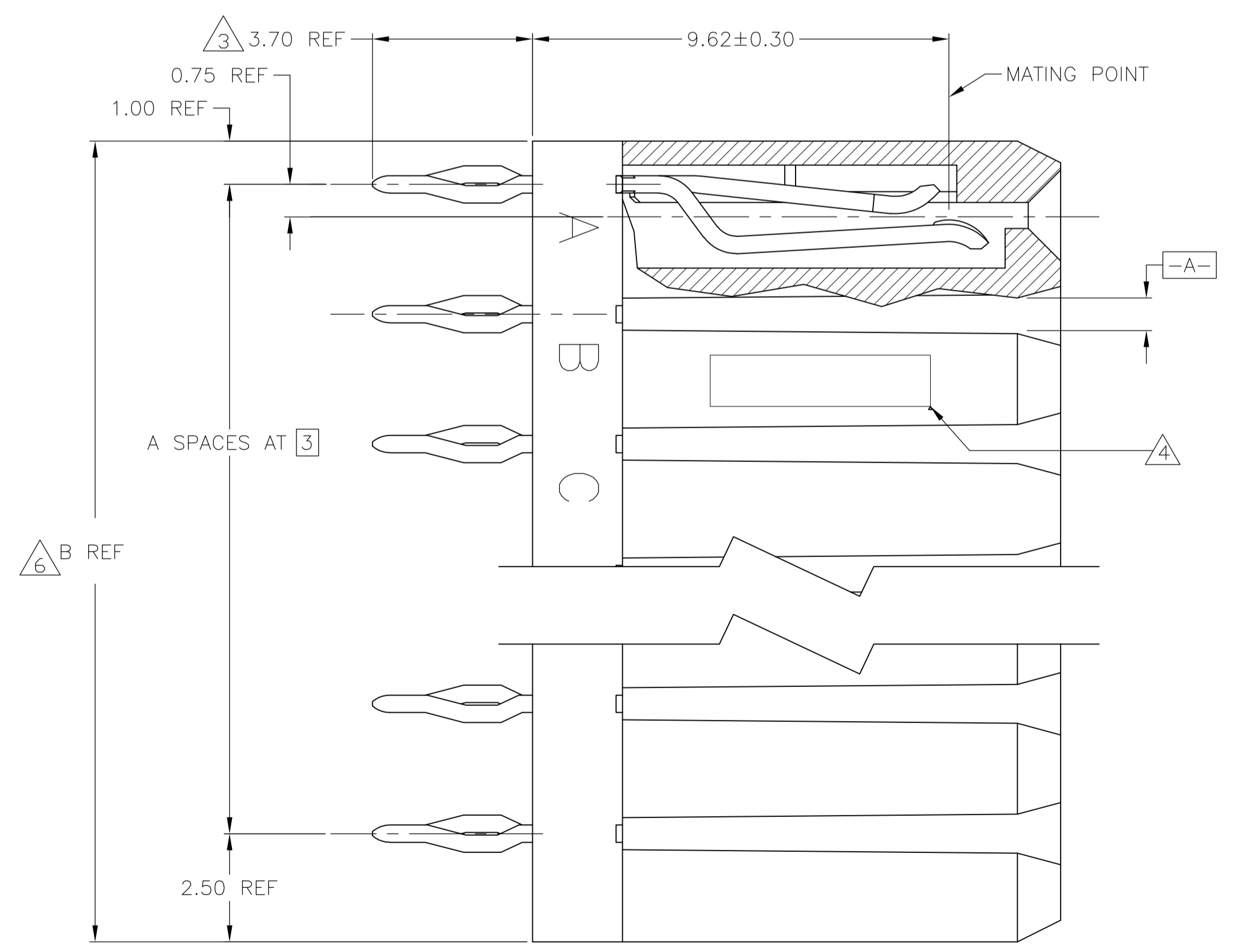
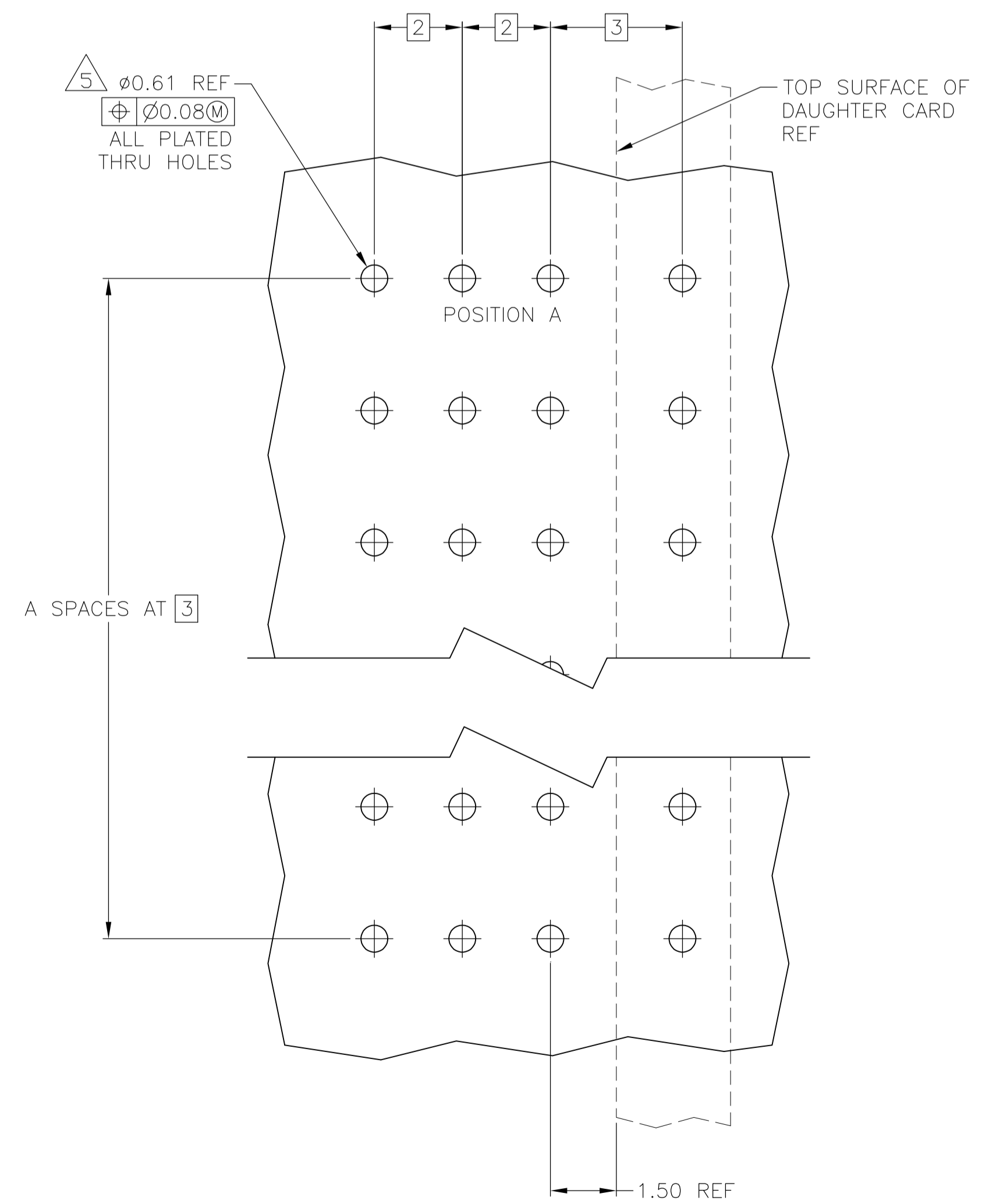
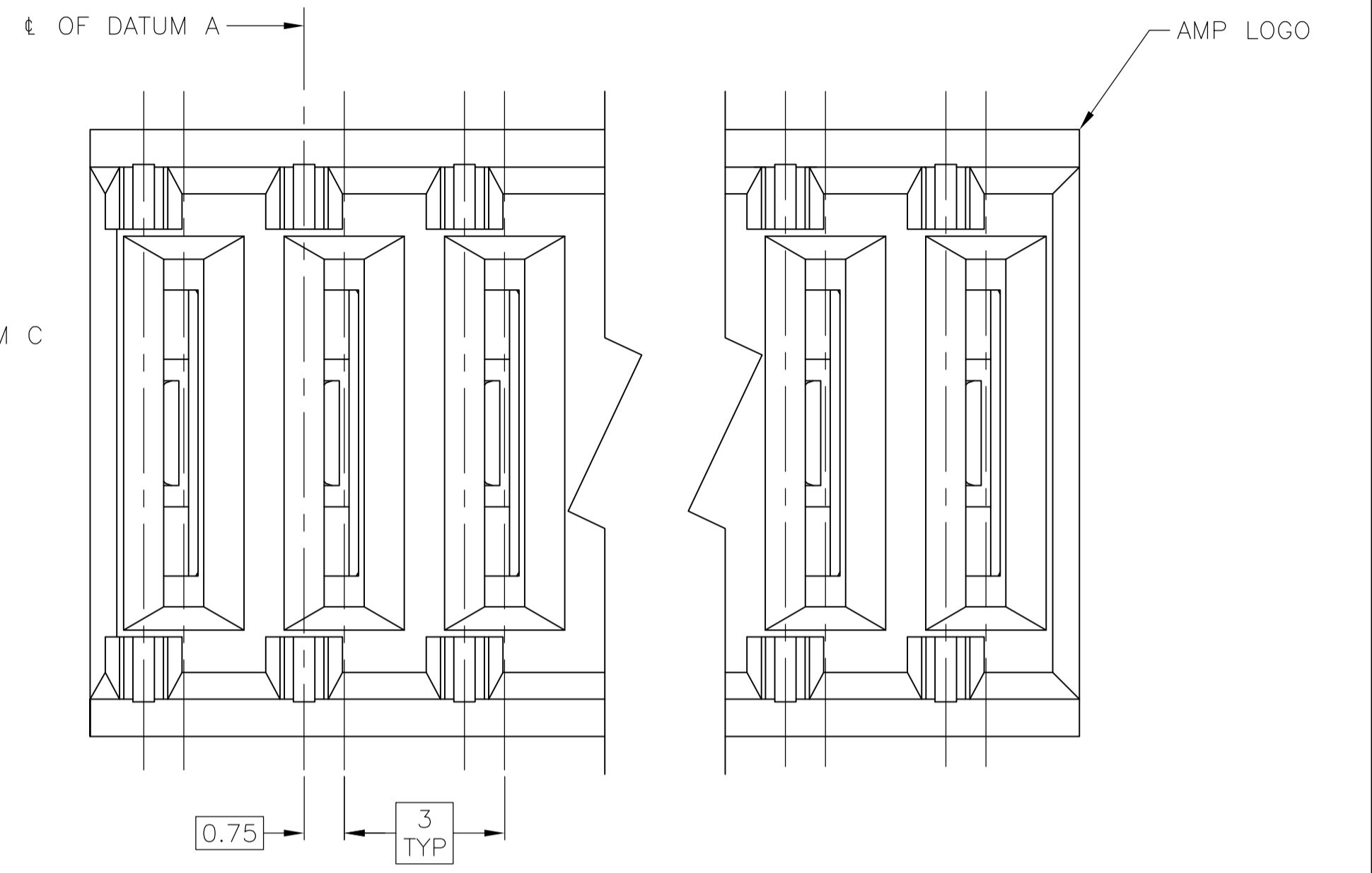
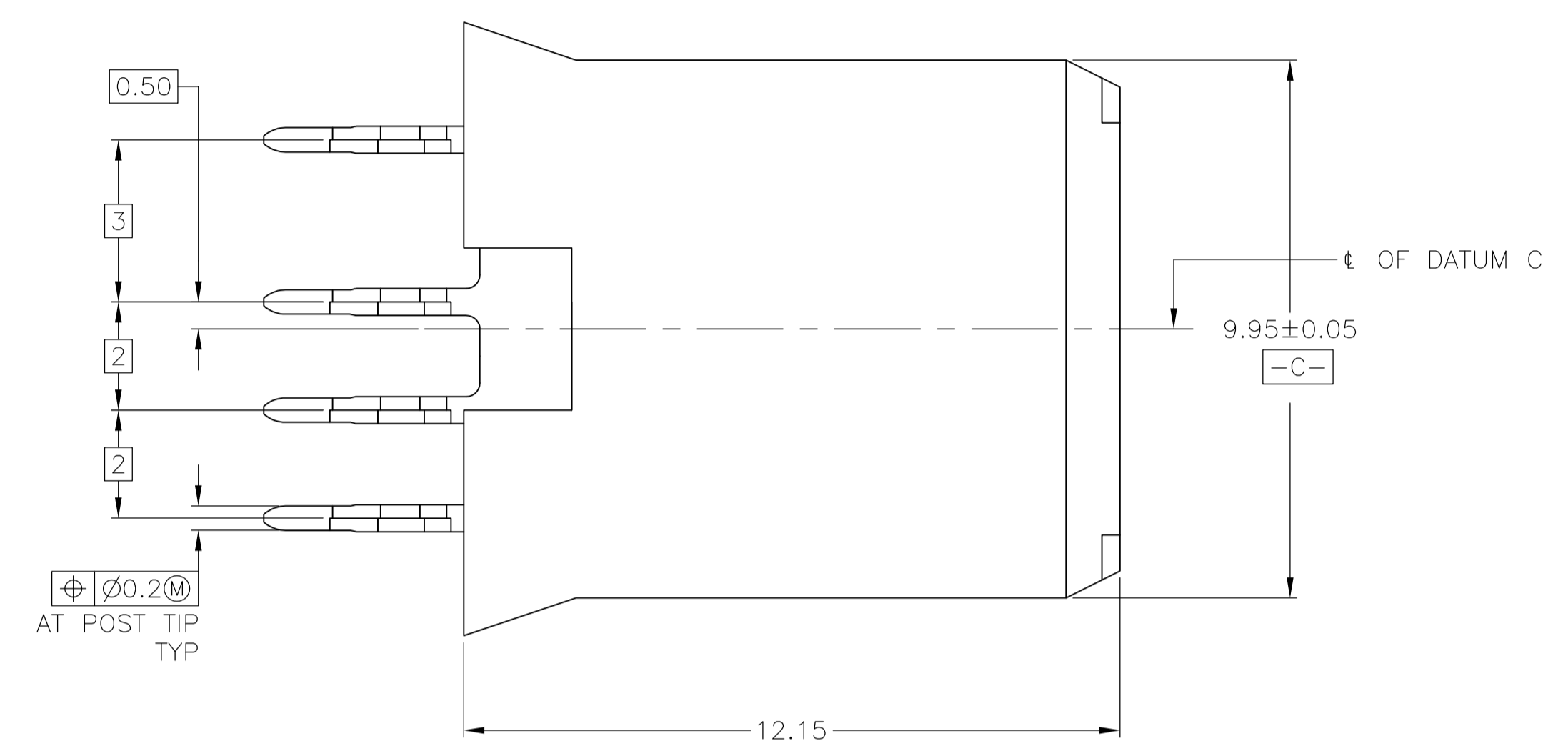
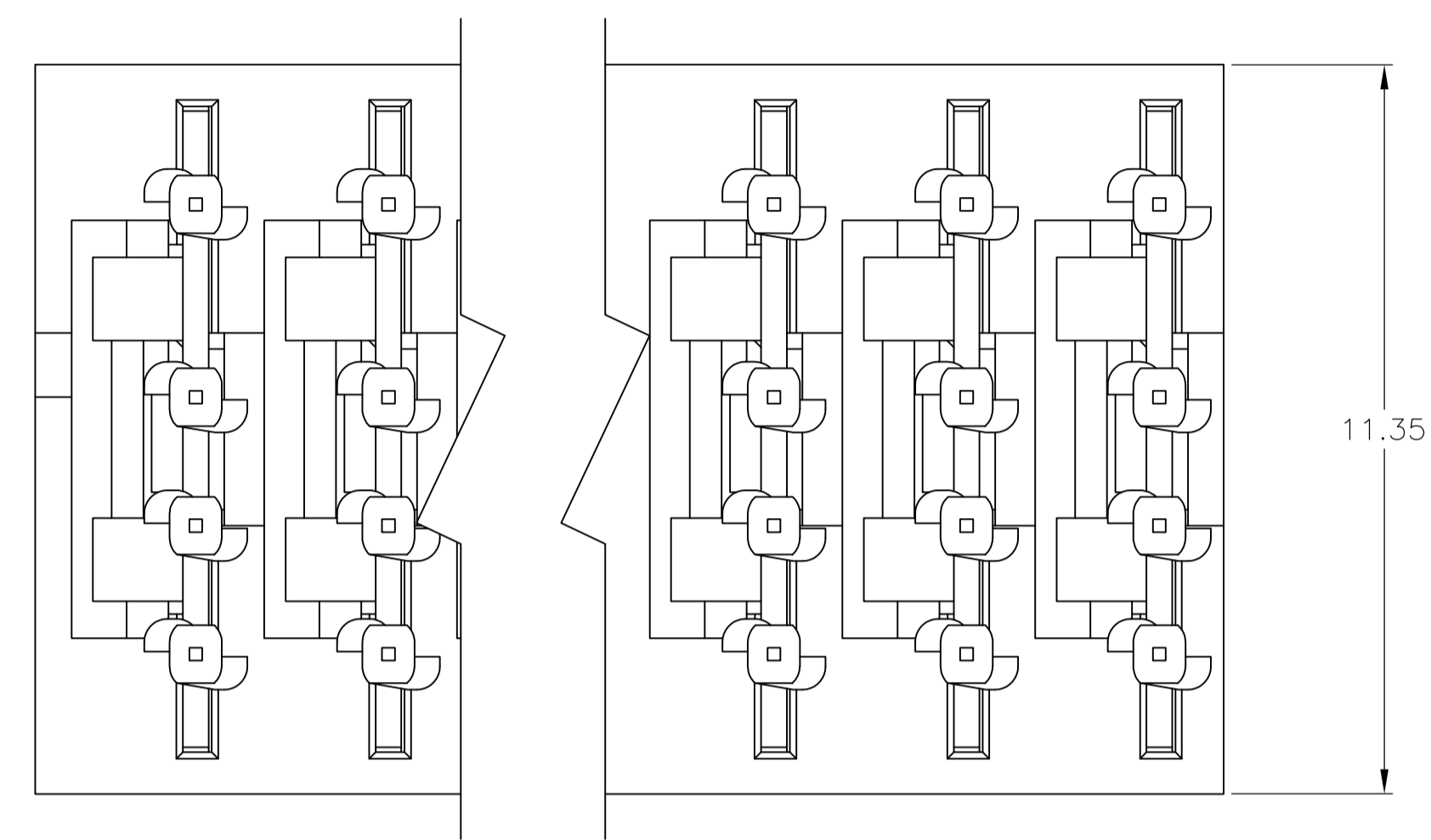


THE DATASHEET OF
223995-1



LOC		DIST		REVISIONS			
P	LTR	DESCRIPTION	DATE	DWN	APVD		
E4		REVISED PER ECO-07-009714	02MAY07	DH	RP		

- 1 MATERIAL: HOUSING : POLYESTER, UL 94V-0 RATED. COLOR, GRAY.
CONTACT: PHOSPHOR BRONZE.
- 2 FINISH: CONTACT MATING AREA: 1.27µm MINIMUM GOLD OR 0.08µm MIN GOLD OVER
0.76µm MIN PALLADIUM-NICKEL.
ACTION PIN AREA, 0.5µm MINIMUM TIN-LEAD PLATE,
ALL OVER 1.27µm MINIMUM NICKEL UNDERPLATE.
- 3 TOLERANCE TO BE ±0.28 AFTER CONNECTOR IS APPLIED TO PC BOARD.
- 4 DATE CODE THIS APPROXIMATE AREA, OPPOSITE SIDE.
- 5 REFERENCE APPLICATION SPEC 114-1103 FOR RECOMMENDED
PLATED THRU HOLE DIAMETER AND PLATING THICKNESSES.
- 6 TOLERANCE TO BE +0.5/-0.10 BEFORE CONNECTOR IS APPLIED TO PC BOARD.
- 7 CURRENT RATING 10A/CONTACT PER PRODUCT SPEC 108-1651.



RECOMMENDED PCB HOLE LAYOUT

POSITION	B REF	A	PART NUMBER
12	36.5	11	223995-9
11	33.5	10	223995-8
10	30.5	9	223995-7
9	27.5	8	223995-6
8	24.5	7	223995-5
7	21.5	6	223995-4
6	18.5	5	223995-3
5	15.5	4	223995-2
4	12.5	3	223995-1

THIS DRAWING IS A CONTROLLED DOCUMENT.

DIMENSIONS: mm	TOLERANCES UNLESS OTHERWISE SPECIFIED:	DIN L. BRINER 12/9/99	tyco Tyco Electronics Corporation Harrisburg, PA 17105-3608
0 PLC ± -	1 PLC ± -	CHK R. PATTERSON 12/9/99	NAME R. PATTERSON
1 PLC ± -	2 PLC ± 0.13	APVD R. PATTERSON 12/9/99	PRODUCT SPEC
2 PLC ± -	3 PLC ± -	APPLICATION SPEC	SIZE CASE CODE DRAWING NO
3 PLC ± -	4 PLC ± -	WEIGHT	A1 00779 C=223995
4 PLC ± -	ANGLES ± -	CUSTOMER DRAWING	RESTRICTED TO

SCALE 10:1 SHEET 1 OF 1 REV E4

Looking for pricing, stock, or lifecycle information?

Click below to explore more details on WIN SOURCE:

 [View 223995-1](#) on WIN SOURCE

 [TE Connectivity](#) Information

Optimize Your Supply Chain with WIN SOURCE Solutions

-  Global Sourcing Solution
-  Obsolete Management
-  Cost Control Management
-  Shortage Management
-  Alternative Solution
-  Excess Inventory Management