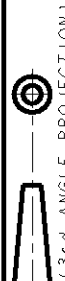




NUMBER  
177985

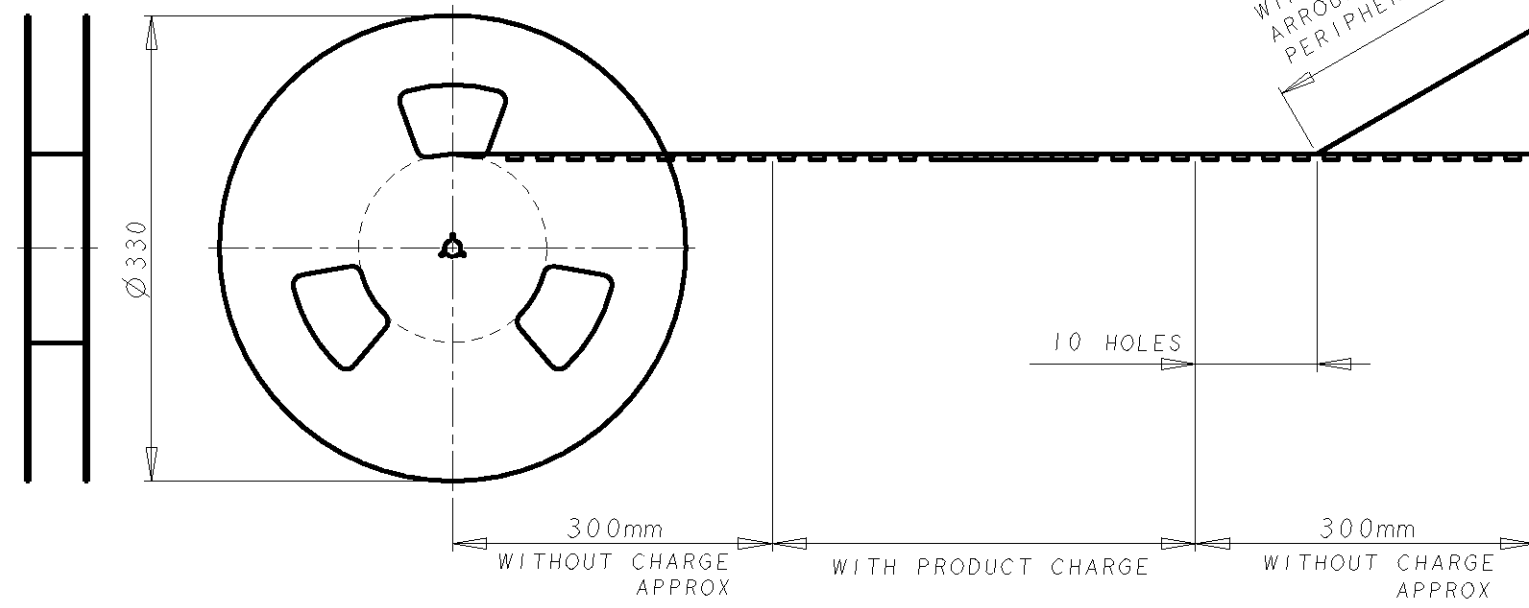
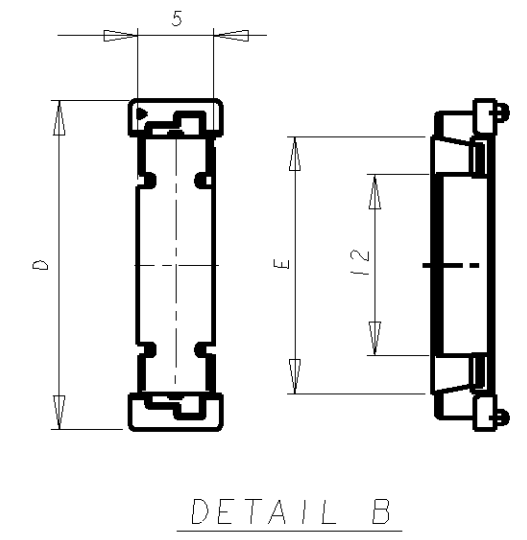
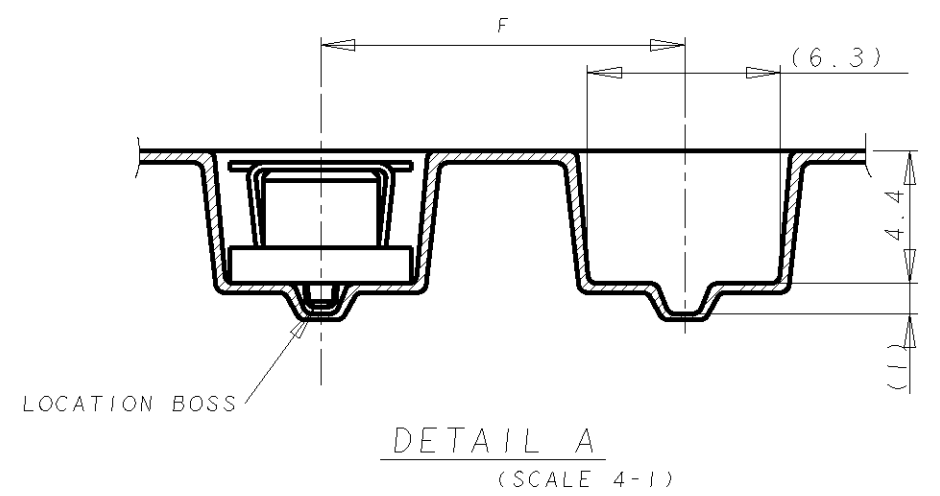
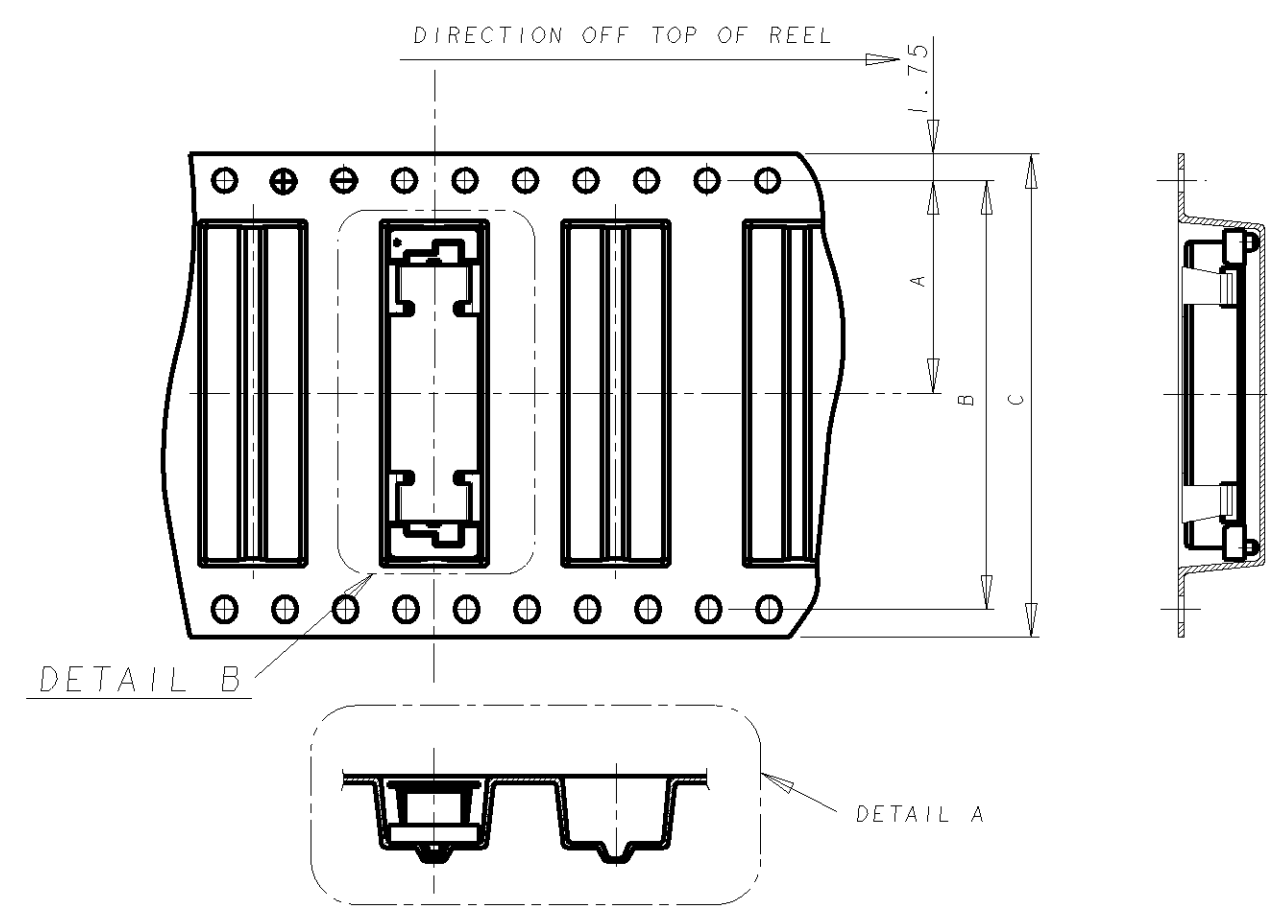


METRIC

CONFIDENTIAL INFORMATION

DIMENSIONS IN MM. DO NOT SCALE PRINT

PRINT DIST



NOT AVAILABLE				86.1	104	100.4	50.2	200	1-	-0	1-	-0
AVAILABLE				70.1	88	84.4	42.2	160		-8		-8
				61.8	72	68.4	34.2	140		-6		-6
				53.8	72	68.4	34.2	120		-5		-5
	700	16		45.8	72	68.4	34.2	100		-4		-4
				37.8	56	52.4	26.2	80		-3		-3
				29.8	44	40.4	20.2	60		-2		-2
	1000	12	17	21.8	32	28.4	14.2	40	177983-1		177985-1	
TOOLING STATUS	QTY	F	E	D	C	B	A	POS	CONN P/N	PART NO.		

K	REVISED FP00-0227-03	LSK	ET	17OCT03
J	REVISED FP00-0026-99	LWY	TKN	24FEB99
H	REVISED FP00-0268-98	KML	TKN	3AUG98
G	REVISED FJ00-4172-96	T.K	I.E	16FEB96
F	REVISED FJ00-3747-95	T.K	I.E	1DEC95
LTR	(REVISION RECORD)	DR	CHK	DATE

Copyright ©1997 AMP MANUFACTURING (SINGAPORE) PTE. LTD. ALL RIGHTS RESERVED.

Copyright ©1997 AMP MANUFACTURING (SINGAPORE) PTE. LTD. ALL RIGHTS RESERVED.

**AMP** AMP MANUFACTURING (SINGAPORE) PTE. LTD.

(WIRE RANGE) (INSULATION DIA.) (NAME)  
mm<sup>2</sup> (AWG - ) mm∅ RECEPTACLE ASSEMBLY 5H TYPE (0.5 BOSS LENGTH) FOR FH 0.8 B-T-B CONN, ON TAPING.

(MATERIAL) (FINISH) SEE TABLE

(GENERAL TOLERANCE) SIZE LOC (No.)  
0 < + ≤ 10 : ±0.2 A3 DY 177985  
10 < + ≤ 30 : ±0.25  
30 < + ≤ 100 : ±0.3  
ANGLES : ± 3°

DR. 8FEB93 REL. T. KUSUHARA  
T. KUSUHARA  
CHK. I. ENOMOTO APP. Y. YOSHIMURA

(SCALE) 2:1 REV. K SHEET 1 OF 1

CUSTOMER DRAWING

## Looking for pricing, stock, or lifecycle information?

Click below to explore more details on WIN SOURCE:

 [View 177985-1](#) on WIN SOURCE

 [TE Connectivity](#) Information

## Optimize Your Supply Chain with WIN SOURCE Solutions

-  Global Sourcing Solution
-  Obsolete Management
-  Cost Control Management
-  Shortage Management
-  Alternative Solution
-  Excess Inventory Management