

NOTES:

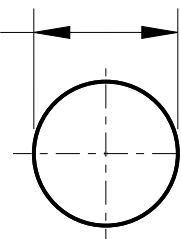
1. HARDWARE SHIPPED UNASSEMBLED.
K178 WASHER AND K180 HEX NUT.

2. MATERIALS:

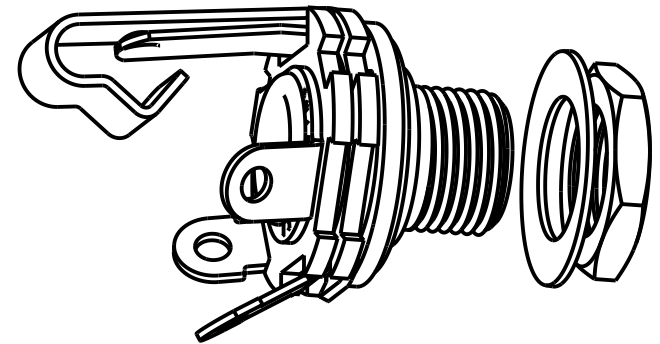
- BUSHING - BRASS, NICKEL PLATED
- INSULATING WASHERS - PHENOLIC
- SLEEVE TERMINAL - BRASS, HOT TIN COATED
- TIP & SHUNT SPRINGS - COPPER ALLOY, SILVER PLATED
- METAL WASHERS - STEEL, NICKEL PLATED
- HEX NUT - BRASS, NICKEL PLATED

3. THIS PRODUCT IS RoHS COMPLIANT.

$\varnothing 0.375 \begin{matrix} +0.020 \\ -0.000 \end{matrix}$



MOUNTING HOLE



CUSTOMER DRAWING

REV	ECO NUMBER	DATE	BY	APVD
E	REDRAWN - 26696	1-20-11	TJK	TJK
REVISIONS				

★ STAR SYMBOL DENOTES CRITICAL DIMENSION

UNLESS OTHERWISE SPECIFIED

1. ALL DIMENSIONS IN INCHES
 -TWO PLACE DECIMALS ± 0.01
 -THREE PLACE DECIMALS ± 0.005
 -ANGLES $\pm 1^\circ$
 -ALL DIA. CONCENTRIC WITHIN 0.005 T.I.R.

2. FEATURES ON THE SAME CENTERLINE MUST BE ALIGNED WITHIN ± 0.002



3. REMOVE ALL BURRS

DO NOT SCALE DRAWING

THIS DRAWING DESCRIBES A DESIGN CONSIDERED PROPRIETARY IN NATURE, DEVELOPED AND MANUFACTURED BY SWITCHCRAFT INC. AND IS RELEASED ON A CONFIDENTIAL BASIS FOR IDENTIFICATION PURPOSES ONLY.									
SIZE		WIDTH		MULT		LBS/M		TEMPER	
FINISH						MATERIAL			
SPEC No.						SPEC No.			
FIRST USED ON				SCALE		Switchcraft [®]			
				2:1					
DATE DRAWN	BY	CHKD	APVD						
8-26-94	WJS	CJD 5-27-64	LG 6-2-64						
NAME						PART No.		REV	
2 CONDUCTOR 1/4" LITTEL JAX, RoHS						12A		E	

Looking for pricing, stock, or lifecycle information?

Click below to explore more details on WIN SOURCE:

-  [View 12A on WIN SOURCE](#)
-  [Switchcraft Inc. Information](#)

Optimize Your Supply Chain with WIN SOURCE Solutions

-  Global Sourcing Solution
-  Obsolete Management
-  Cost Control Management
-  Shortage Management
-  Alternative Solution
-  Excess Inventory Management