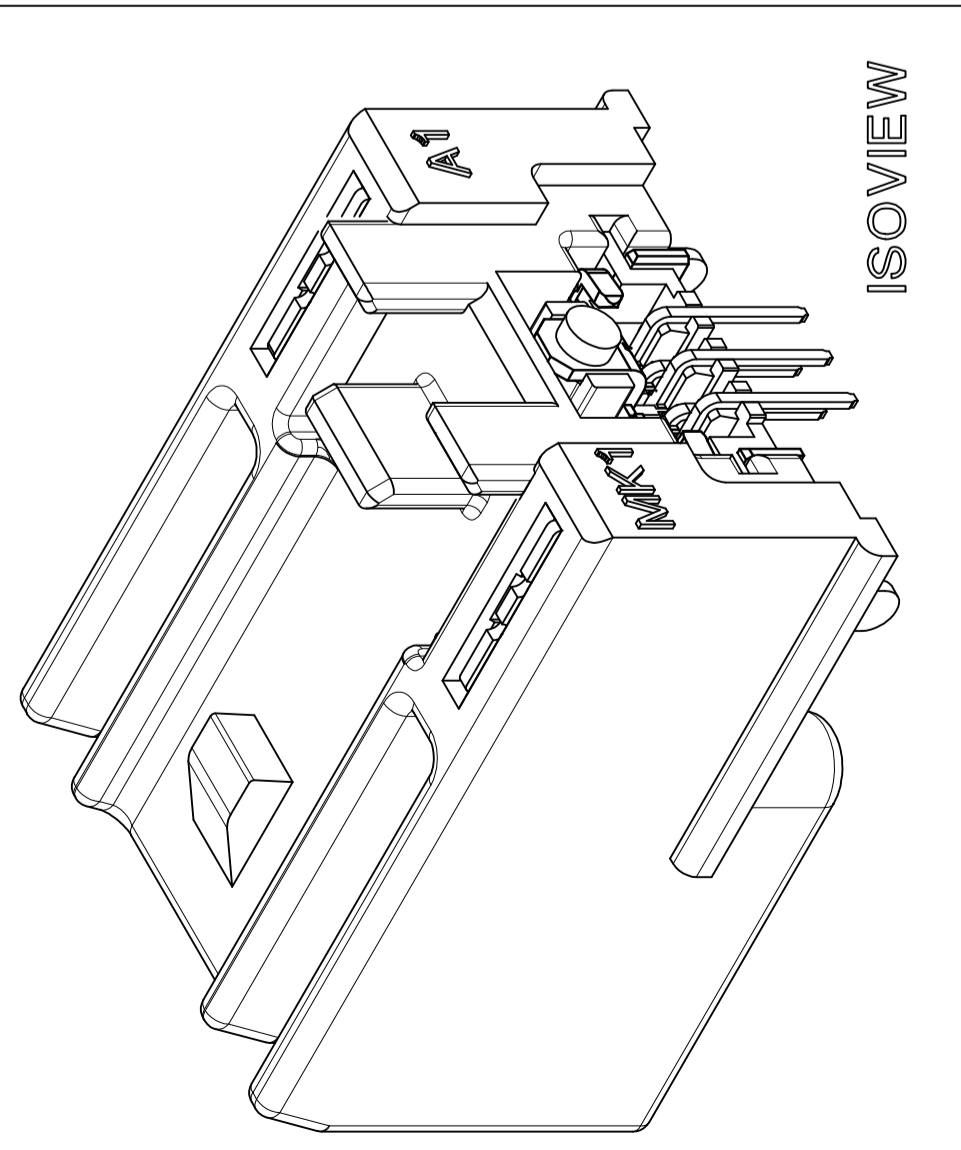


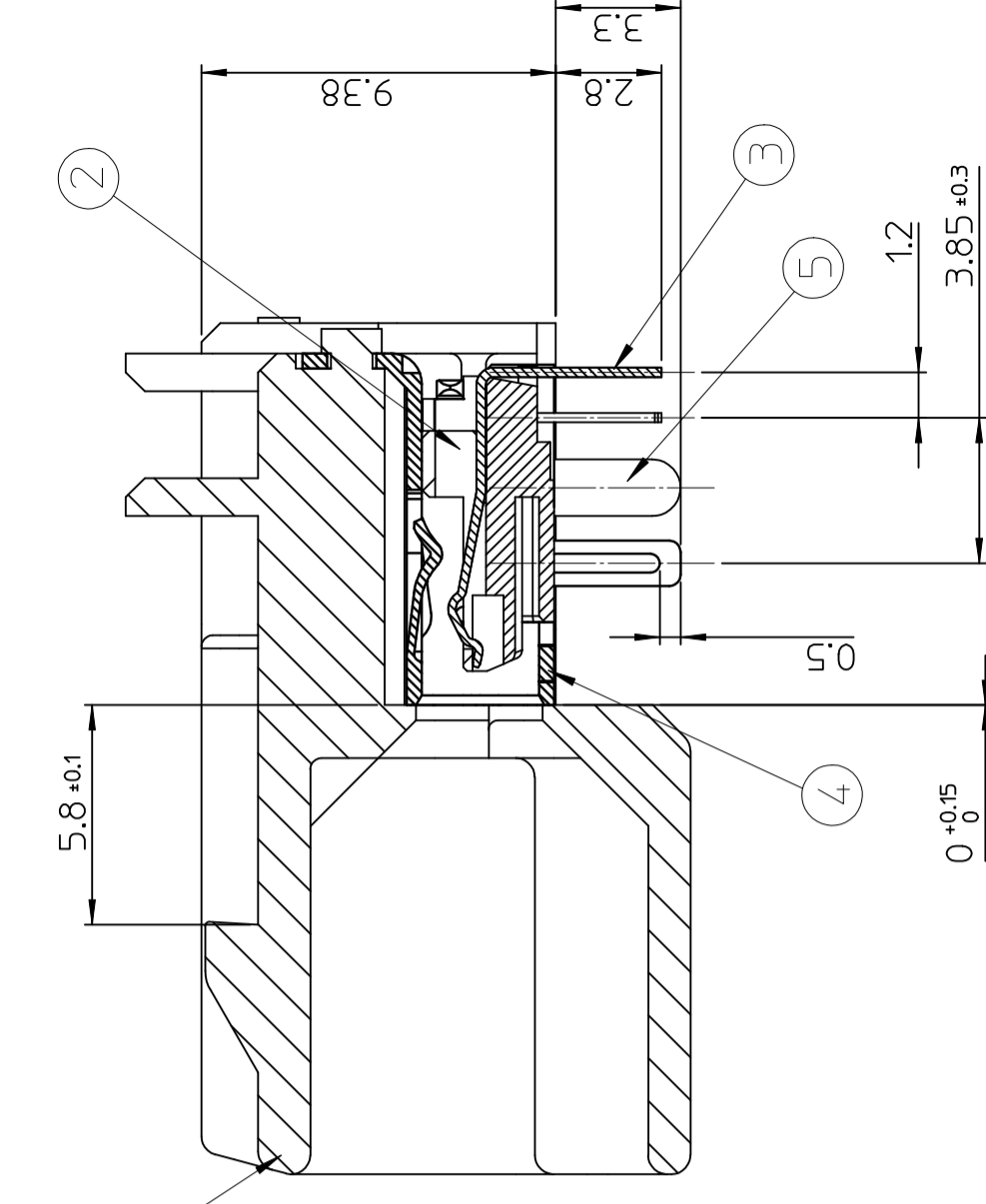
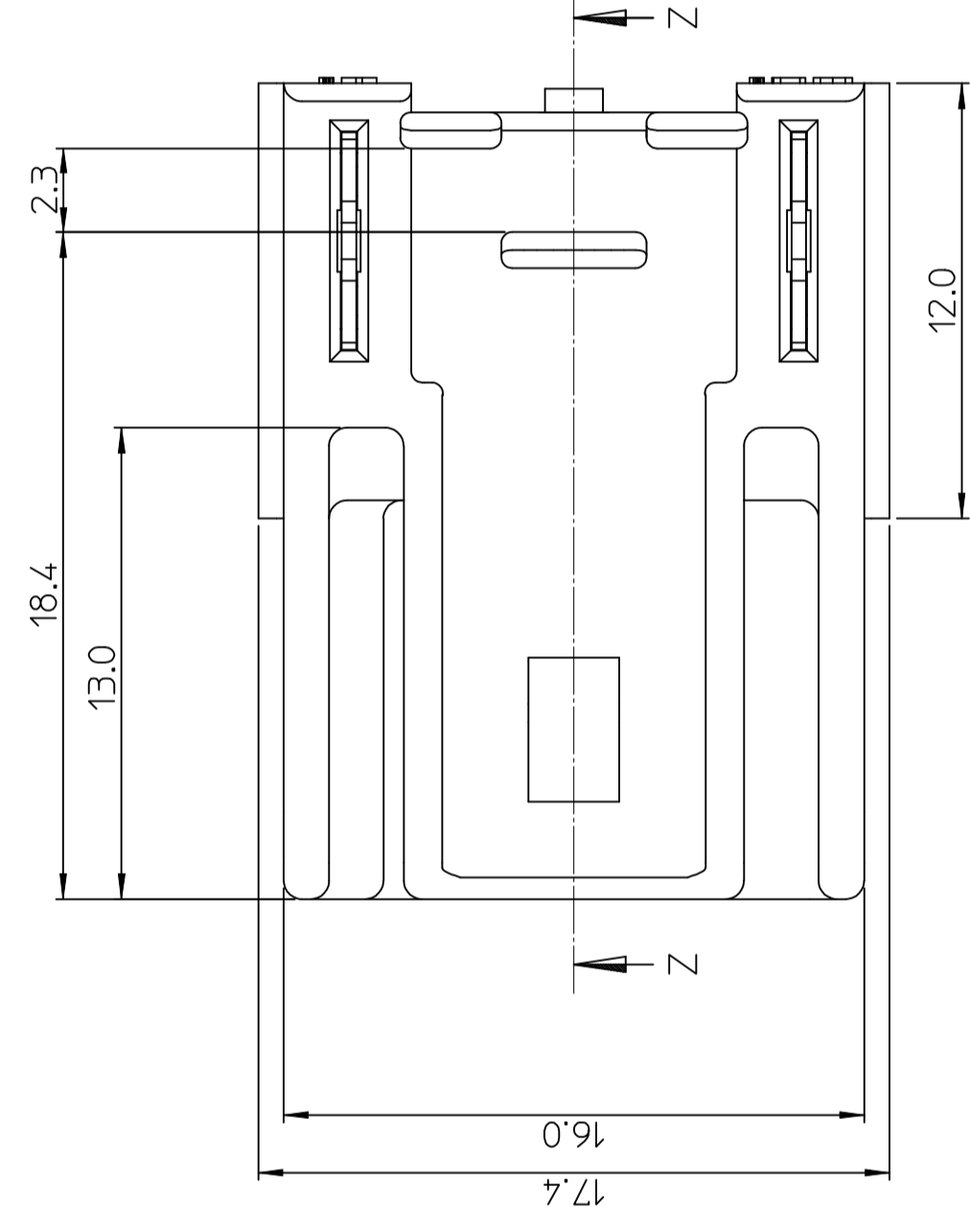


**THE DATASHEET OF  
1040870801**

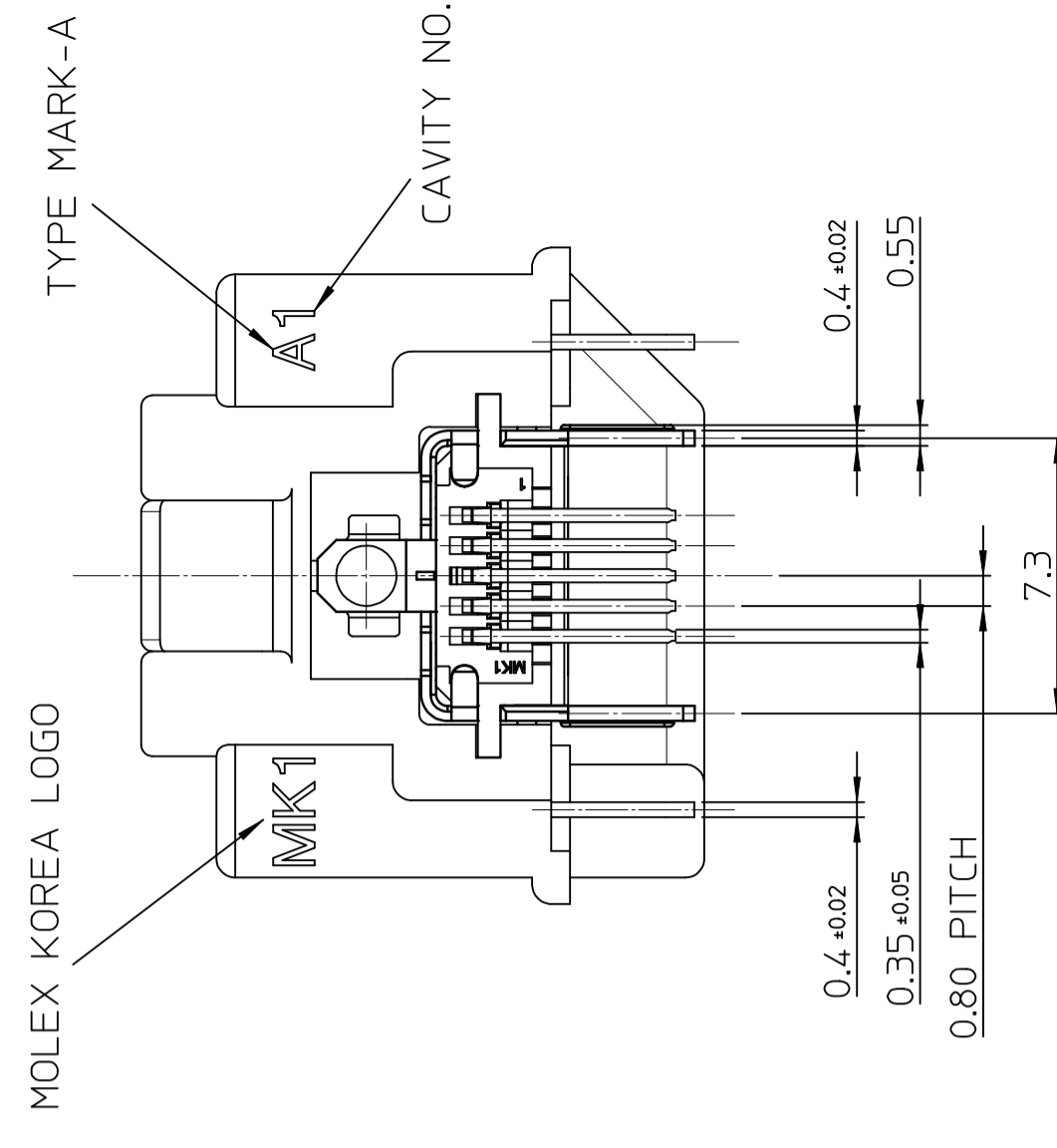
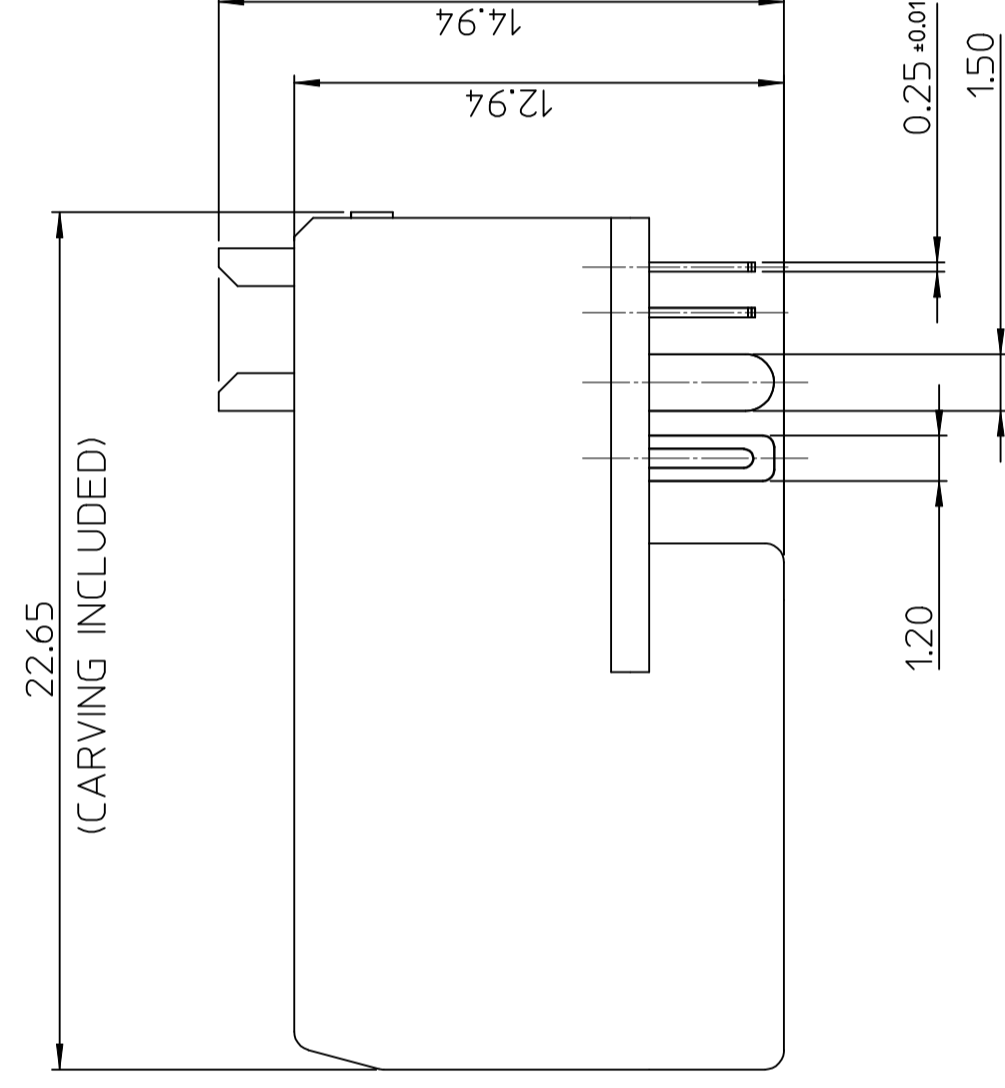
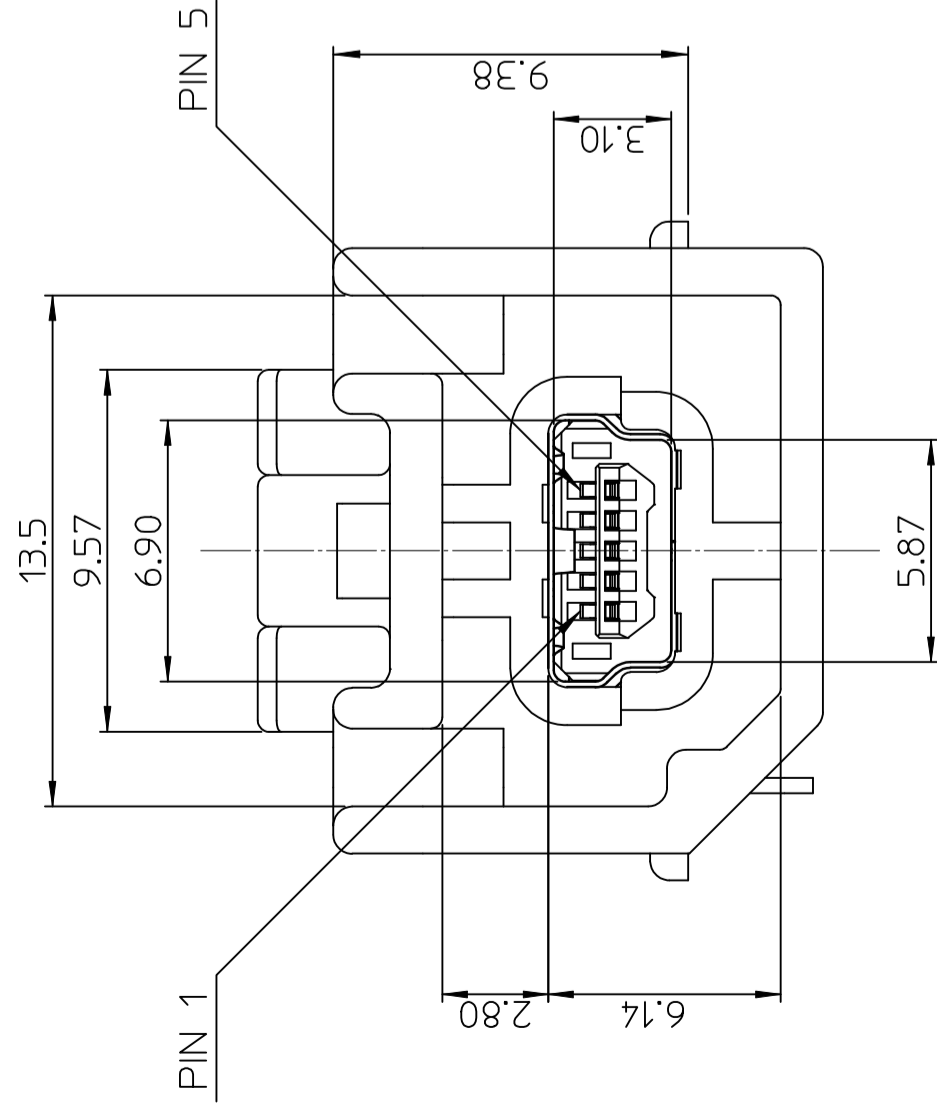




ISOVIEW



SECTION Z-Z

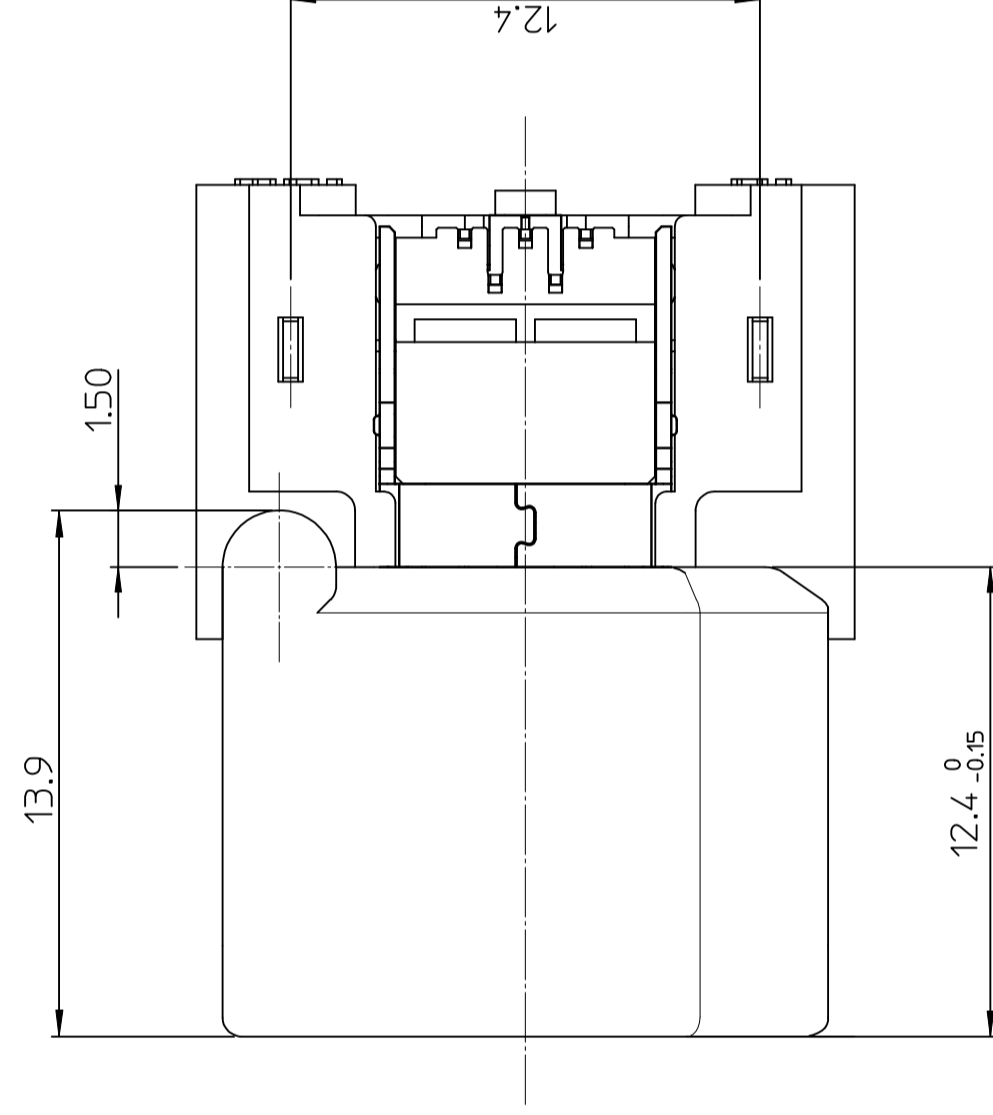


NOTES

- MATES WITH :  
MOLEX SERIES NO. : 111014, 111015, 111005, 111041, 111019, 111020
- SHROUD GEOMETRY AND ASSEMBLY WITH USB MINI-B CONNECTOR ARE ACCORDING TO USCAR STD 999-U-USB-Z01
- FINISHES
  - TERMINAL :  
CONTACT AREA : GOLD 0.75µm MIN.  
SOLDER TAIL AREA : TIN 3.8µm MIN.  
UNDER PLATING : NI 1.25µm MIN.
  - SHIELD CASE :  
3.0µm MIN. TIN OVER NI 1.0µm MIN.
  - FITTING NAIL :  
3.0µm MIN. TIN OVER NI 1.0µm MIN.
- UNLESS OTHERWISE SPECIFIED, TYPICAL RECOMMENDED PCB MANUFACTURING TOLERANCE IS ±0.05
- PCB THICKNESS : 1.6mm(REFERENCE)

<PART LIST>

NO.	PART NAME	MATERIALS
①	SHROUD	SPS, GLASS FILLED, UL94 HB
②	REC. HOUSING	LCP, GLASS FILLED, UL94 V-0
③	TERMINAL	COPPER ALLOY
④	SHIELD CASE	PHOSPHOR BRONZE
⑤	FITTING NAIL	BRASS



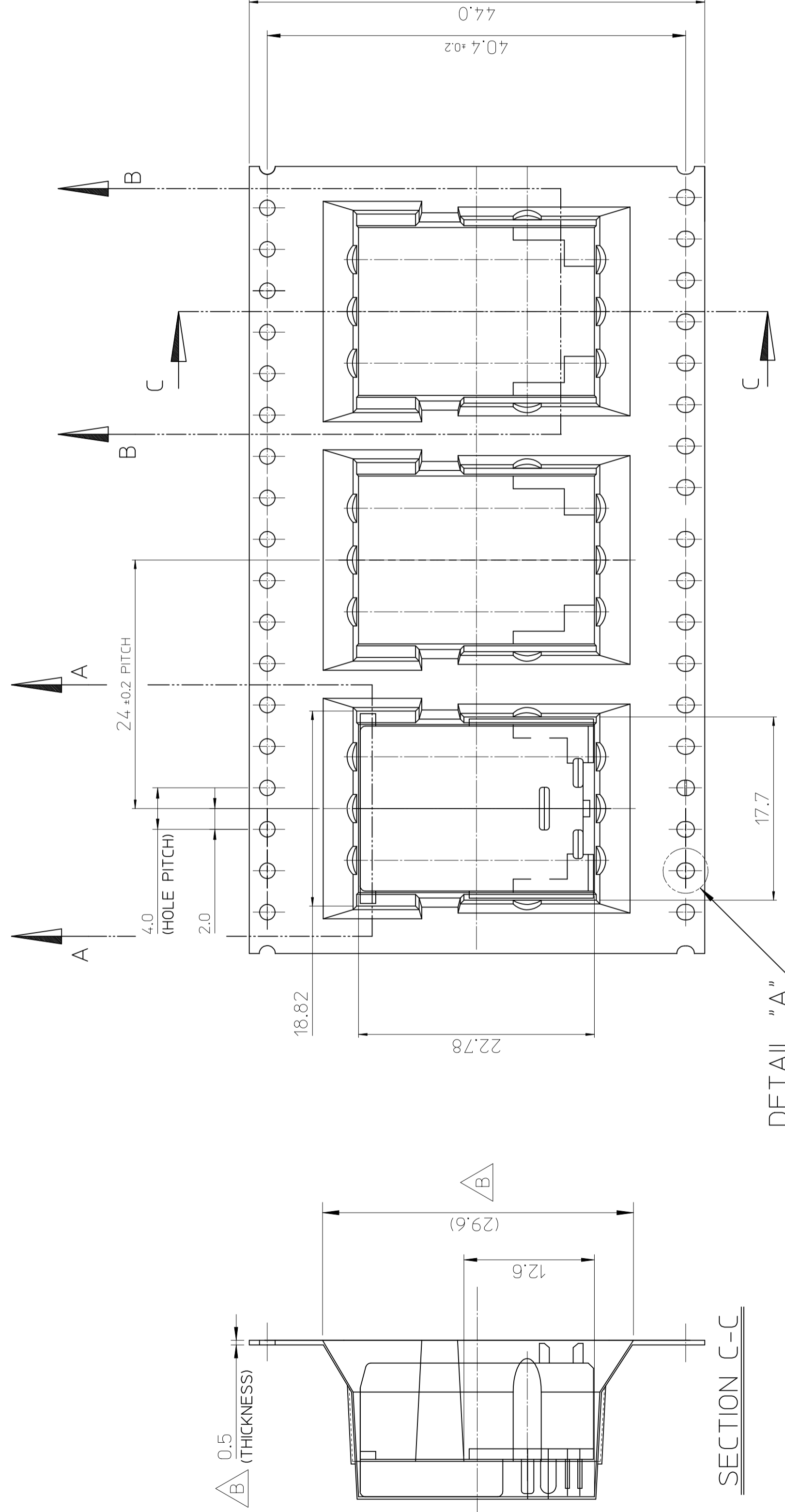
<TABLE 1>

MATERIAL NO.	ORDER NO.	PACKAGING	COLOR
1040870801	104087-0801	TAPE & REEL	BLACK

REV	DESCRIPTION
B	DRAWING ERROR FC NO: K1R2007-00033 DRWN: JWK1M02 CHKD: APP: JHJANG 2017/03/20

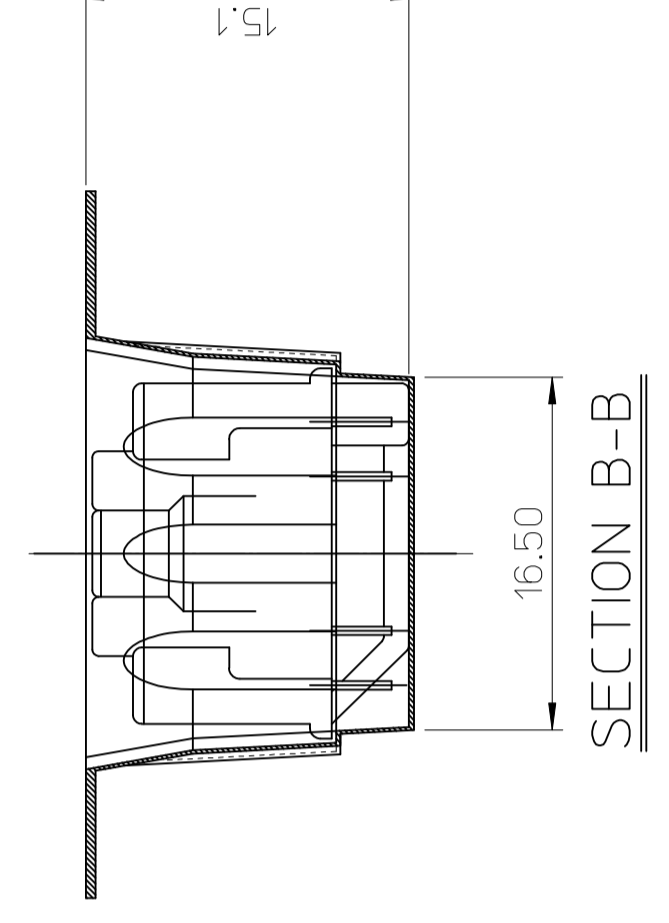
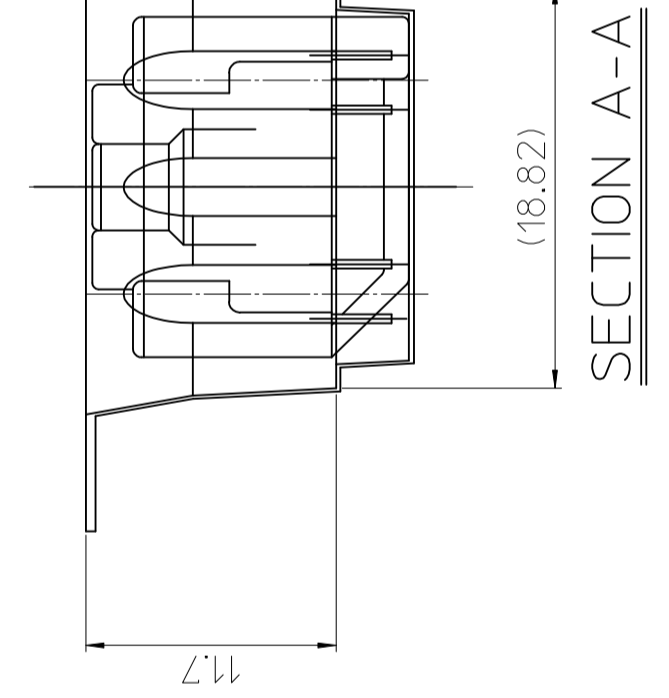
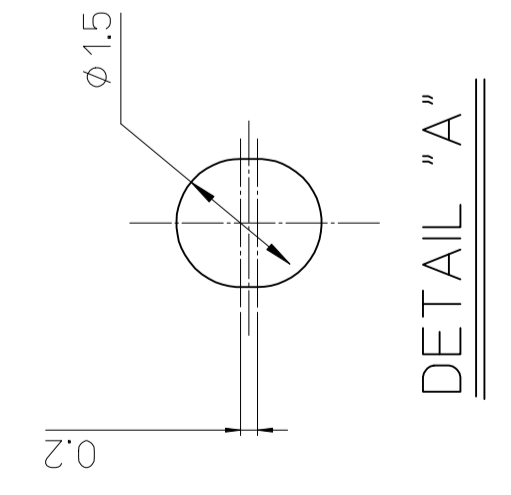
QUALITY SYMBOLS	GENERAL TOLERANCE (UNLESS SPECIFIED)	mm
▽=0	4 PLACES ±	---
▽=0	3 PLACES ±	---
▽=0	2 PLACES ±	0.15
▽=0	1 PLACE ±	0.25
▽=0	0 PLACE ±	---

ANGULAR  
DRAFT WHERE APPLICABLE  
MUST REMAIN WITHIN DIMENSIONS



**EMBOSS TAPE**

SECTION C-C



- NOTES
1. QUANTITY
  2. MATERIAL  
- EMBOSS  
- PASTIC
  3. LEAD LENGTH
  4. PEELING DIRECTION  
(PEELING DIRECTION)  
PEELING DIRECTION

PULL\_OUT DIRECTION

5. FLASH IN

DRWING	HIM00
CHECKER	BCY00
APPROV	JYCHO
MATERIAL	SE
SIZE	A2

QUALITY SYMBOLS	INCH
$\nabla = 0$	$\pm$
$\nabla = 0$	$\pm$
$\nabla = 0$	$\pm$
	ANGULAR $\pm 1^\circ$

GENERAL TOLERANCES (UNLESS SPECIFIED)	mm	INCH
4 PLACES	$\pm$	$\pm$
3 PLACES	$\pm$	$\pm$
2 PLACES	$\pm 0.15$	$\pm$
1 PLACE	$\pm 0.25$	$\pm$
0 PLACE	$\pm$	$\pm$
DRAFT WHERE APPLICABLE MUST REMAIN WITHIN DIMENSIONS		

Looking for pricing, stock, or lifecycle information?

Click below to explore more details on WIN SOURCE:

- [View 1040870801 on WIN SOURCE](#)
- [Molex, LLC Information](#)

### Optimize Your Supply Chain with WIN SOURCE Solutions

- ✓ Global Sourcing Solution
- ✓ Obsolete Management
- ✓ Cost Control Management
- ✓ Shortage Management
- ✓ Alternative Solution
- ✓ Excess Inventory Management