

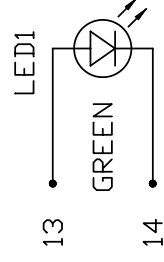


**THE DATASHEET OF  
0875-1G2T-E3**



THE INFORMATION CONTAINED HEREIN IS CONSIDERED 'PROPRIETARY' TO BEL FUSE INC. AND SHALL NOT BE COPIED, REPRODUCED OR DISCLOSED WITHOUT THE WRITTEN APPROVAL OF BEL FUSE INC.

| LED2 POLARITY |        | LED1 POLARITY |        |
|---------------|--------|---------------|--------|
| PIN 11        | PIN 12 | PIN 13        | PIN 14 |
| +             | -      | +             | -      |
|               |        | GREEN         | GREEN  |



ELECTRICAL CHARACTERISTICS @ 25°C

URNS RATIO

TP1 1CT : 1CT ±2%  
 TP2 1CT : 1CT ±2%  
 TP3 1CT : 1CT ±2%  
 TP4 1CT : 1CT ±2%

OCL @ 100kHz/100mVRMS

8mA DC BIAS (0°C - 70°C)

350µH MIN.

INS. LOSS

-1.2 dB MAX

RET. LOSS (MIN) @ 100MHMS ±15%

0.5MHZ-40MHZ -18 dB  
 40MHZ-100MHZ -12+20LOG(f/80MHZ) dB

CM TO CM REJ

100kHz - 100MHZ

-30 dB MIN

CM TO DM REJ

100kHz - 100MHZ

-35 dB MIN

CROSS TALK

1MHZ-100MHZ

-35 dB MIN

HIPOT (Isolation Voltage):

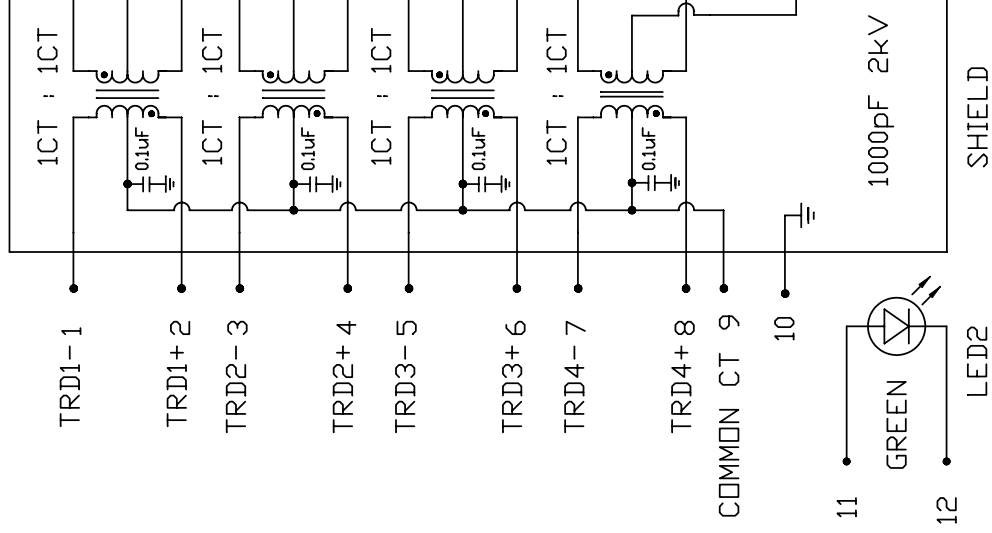
1500 Vrms

100% OF PRODUCTION TESTED TO COMPLY WITH

IEEE 802.3 ISOLATION REQUIREMENTS.

LED 1 & 2

VF (FORWARD VOLTAGE) IF=20mA GREEN 2.2V TYP.  
 AD (DOMINANT WAVELENGTH) IF=20mA GREEN 565nm TYP.



|                      |             |                                    |
|----------------------|-------------|------------------------------------|
| <b>ORIGINATED BY</b> | <b>DATE</b> | <b>TITLE</b>                       |
| CHOW WANCHUNG        | 2012-08-23  | 1X2 gigabit MagJack®<br>(WITH LED) |
| <b>DRAWN BY</b>      | <b>DATE</b> | PATENTED                           |
| TAN QIGUANG          | 2012-08-23  |                                    |

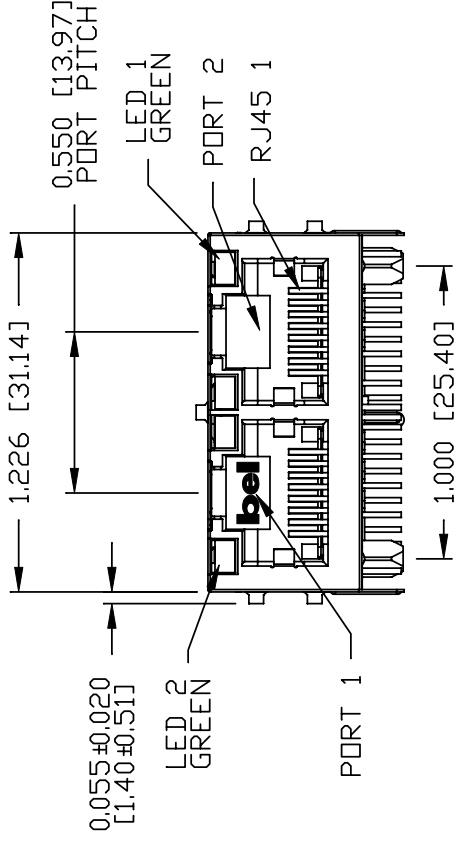
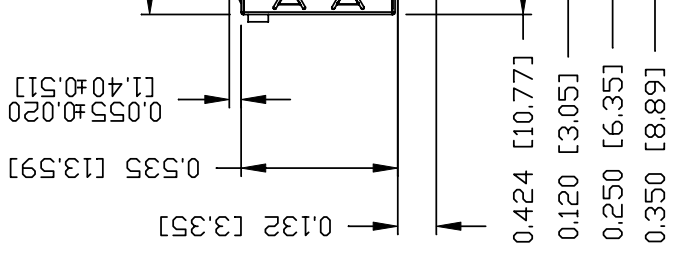
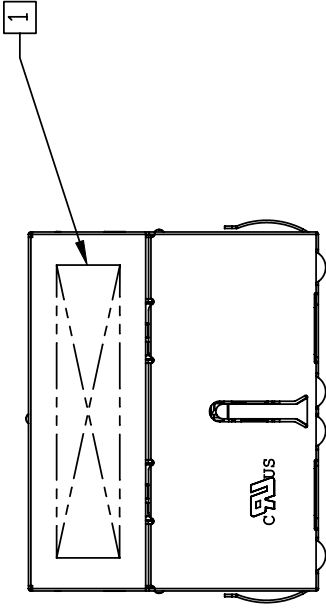
|                               |                    |
|-------------------------------|--------------------|
| <b>PART NO. / DRAWING NO.</b> | 0875-1G2T-E3       |
| <b>FILE NAME</b>              | 0875-1G2T-E3_B.DWG |

|                     |                     |
|---------------------|---------------------|
| <b>STANDARD DIM</b> | <b>TOL. IN INCH</b> |
|                     | .X                  |
|                     | .XX                 |
|                     | .XXX                |

DC002(2)081111

This document is electronically generated. This is a controlled copy if used internally.

THE INFORMATION CONTAINED HEREIN IS CONSIDERED "PROPRIETARY" TO BEL FUSE INC. AND SHALL NOT BE COPIED, REPRODUCED OR DISCLOSED WITHOUT THE WRITTEN APPROVAL OF BEL FUSE INC.



**NOTES:**

- PLASTIC HOUSING: THERMOPLASTIC PBT  
FLAMMABILITY RATING UL 94V-0
- CONTACTS PLATING: 30 MICRO-INCH HARD GOLD PLATING  
OR EQUIVALENT.
- PINS:  
METAL SHIELD: TIN-COATED COPPER WIRE, DIA 0.018 INCH.  
NICKEL PLATED ON COPPER ALLOY.  
<ALL GROUND LEADS ARE SOLDER DIPPED>
- 1 MARK PART WITH MFG LOGO AND MFG NAME.
- 2 MARK PART WITH PART NUMBER, DATE CODE AND PATENTED.
- 3. JACK CAVITY CONFORMS TO FCC RULES AND REGULATIONS.

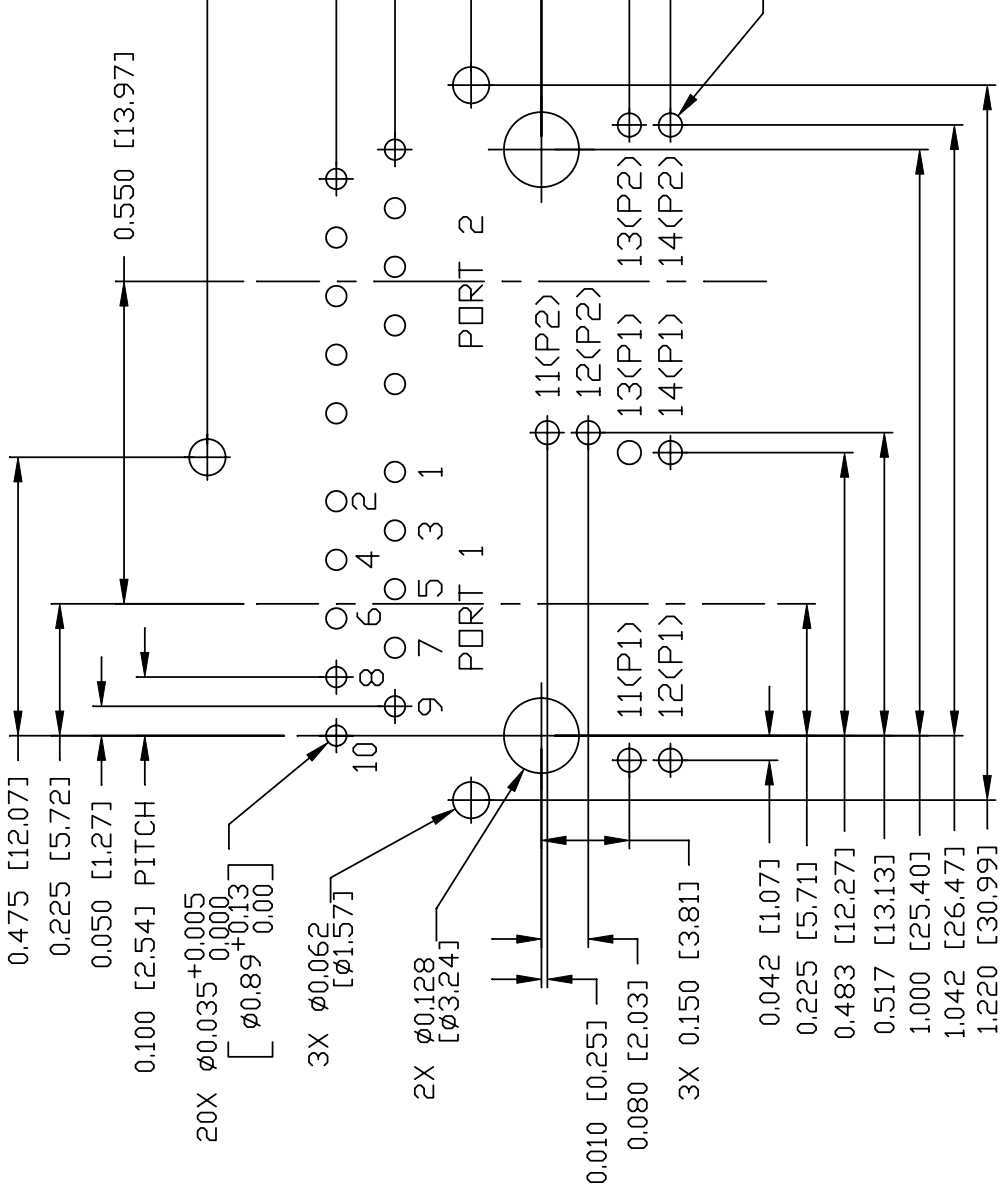
- 4. THE PRODUCT IS ROHS COMPLIANT.
  - 5. THE PRODUCT IS PATENTED.
- U.S. PAT. 5,736,910.

| ORIGINATED BY | DATE       | TITLE                              | PART NO. / DRAWING NO. | STANDARD DIM. TOL. IN INCH |
|---------------|------------|------------------------------------|------------------------|----------------------------|
| ANTON LIAD    | 2012-08-23 | 1X2 gigabit MagJack®<br>(WITH LED) | 0875-1G2T-E3           | .X                         |
| DRAWN BY      | DATE       |                                    | FILE NAME              | .XX                        |
| HE ZHEN       | 2012-08-23 | PATENTED                           | 0875-1G2T-E3_B.DWG     | .XXX                       |
|               |            |                                    |                        | ±0.01                      |

DC002(2)081111

This document is electronically generated. This is a controlled copy if used internally.

THE INFORMATION CONTAINED HEREIN IS CONSIDERED  
 "PROPRIETARY" TO BEL FUSE INC. AND SHALL NOT BE  
 COPIED, REPRODUCED OR DISCLOSED WITHOUT THE  
 WRITTEN APPROVAL OF BEL FUSE INC.



RECOMMENDED PCB FOOTPRINT  
 COMPONENT SIDE VIEW

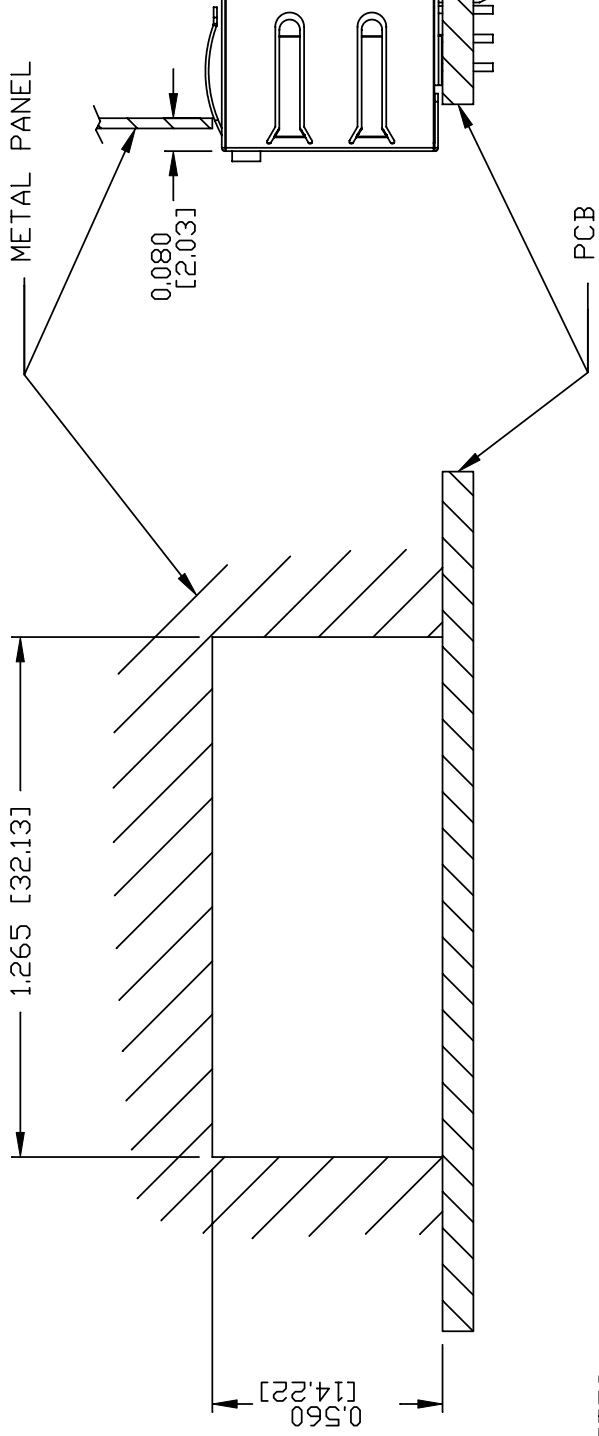
|   |                     |  |                    |
|---|---------------------|--|--------------------|
| ORIGINATED BY<br>ANTON LIAO                             | DATE<br>2012-08-23  | PART NO. / DRAWING NO.<br>0875-1G2T-E3 | STANDARD DD        |
|   | DRAWN BY<br>HE ZHEN |  | DATE<br>2012-08-23 |
| TITLE<br>1X2 gigabit MagJack®<br>(WITH LED)<br>PATENTED |                     |  |                    |

DC002(2)081111

This document is electronically generated. This is a controlled copy if used internally.

THE INFORMATION CONTAINED HEREIN IS CONSIDERED "PROPRIETARY" TO BEL FUSE INC. AND SHALL NOT BE COPIED, REPRODUCED OR DISCLOSED WITHOUT THE WRITTEN APPROVAL OF BEL FUSE INC.

SUGGESTED PANEL OPENING



NOTES:

THE DISTANCE OF PANEL INSIDE SURFACE RELATIVE TO FRONT SURFACE OF PART IS ONLY A IN CASE THIS DISTANCE IS DIFFERENT, THE REQUIRED PANEL OPENING DIMENSIONS CHANGE ACCORDINGLY

PACKING INFORMATION

PACKING TRAY : 0200-9999-G4 (TOP)

0200-9999-G5 (BOTTOM)

PACKING QUANTITY : 49 PCS FINISHED GOODS PER TRAY

8 TRAYS (392 PCS FINISHED GOODS) PER CARTON BOX

NOTE : CARDBOARDS ARE PLACED BETWEEN LAYERS OF PACKING TRAY INSIDE CARTON BOX  
(INCLUDE THE UPPERMOST AND LOWERMOST TRAY)

|                                    |                           |  |   |  |
|------------------------------------|---------------------------|--|---|--|
| <b>ORIGINATED BY</b><br>ANTON LIAD | <b>DATE</b><br>2012-08-23 | <b>TITLE</b><br>1X2 gigabit MagJack®<br>(WITH LED)<br>PATENTED | <b>PART NO. / DRAWING NO.</b><br>0875-1G2T-E3 | <b>STANDARD DIMENSIONAL TOL. IN INCH</b><br>.X<br>.XX<br>.XXX<br>±0.00 |
| <b>DRAWN BY</b><br>HE ZHEN         | <b>DATE</b><br>2012-08-23 |  | <b>FILE NAME</b><br>0875-1G2T-E3_B.DWG        |  |

DC002(2)081111

This document is electronically generated. This is a controlled copy if used internally.

## Looking for pricing, stock, or lifecycle information?

Click below to explore more details on WIN SOURCE:

 [View 0875-1G2T-E3 on WIN SOURCE](#)

 [Bel Fuse Inc. Information](#)

## Optimize Your Supply Chain with WIN SOURCE Solutions

-  Global Sourcing Solution
-  Obsolete Management
-  Cost Control Management
-  Shortage Management
-  Alternative Solution
-  Excess Inventory Management