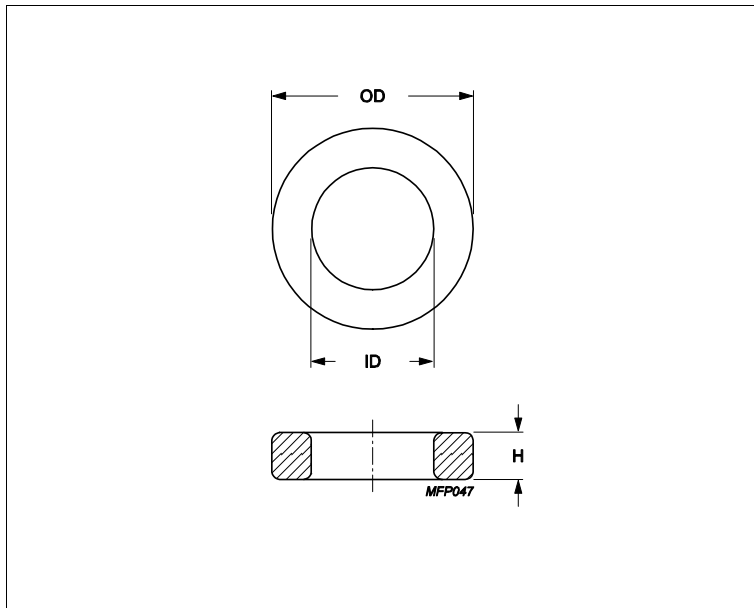




**THE DATASHEET OF  
TX107/65/18-3E27**



## Core **Toroid 107/65/18**



Effective parameters			
	Parameter	Value	Unit
$\Sigma(I/A)$	core factor (C1)	0.7	mm <sup>-1</sup>
<b>Ve</b>	effective volume	96000	mm <sup>3</sup>
<b>Le</b>	effective length	259	mm
<b>Ae</b>	effective area	370	mm <sup>2</sup>
<b>m</b>	mass of core	≈ 456	g/pcs

Epoxy coating DC isolation voltage 2000.

Maximum operating temperature of the coating is 200°C.

### Dimensions (mm)

Cores	OD	ID	H	
<b>T107/65/18</b>	107 ± 2	65 ± 1.3	18 ± 0.35	Uncoated
<b>TX107/65/18</b>	109.5 max	63.3 min	18.85 max	Epoxy Coated

### Core data



Cores	Material	AI (nH/turns <sup>2</sup> )	AI tolerance	μe
<b>T107/65/18</b>	3C11	7720	± 25%	≈ 4300
<b>T107/65/18</b>	3C94	4130	± 25%	≈ 2300
<b>T107/65/18</b>	3E27	9870	± 25%	≈ 5500

### Core data

Cores	Material	AI (nH/turns <sup>2</sup> )	AI tolerance	μe
<b>TX107/65/18</b>	3C11	7720	± 25%	≈ 4300
<b>TX107/65/18</b>	3C94	4130	± 25%	≈ 2300
<b>TX107/65/18</b>	3E27	9870	± 25%	≈ 5500

## Looking for pricing, stock, or lifecycle information?

Click below to explore more details on WIN SOURCE:

-  [View TX107/65/18-3E27 on WIN SOURCE](#)
-  [Ferroxcube Information](#)

## Optimize Your Supply Chain with WIN SOURCE Solutions

-  Global Sourcing Solution
-  Obsolete Management
-  Cost Control Management
-  Shortage Management
-  Alternative Solution
-  Excess Inventory Management