



Large Arcade Button with LED - 60mm Green

PRODUCT ID: 1193



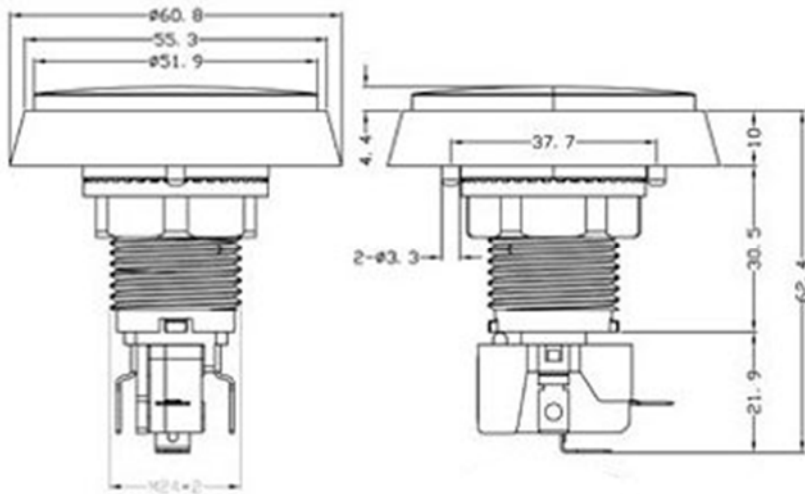
Description

BAM! This 60mm diameter arcade button is large and inviting and ready for all sorts of pressing and pushing. We've seen these on some games of skill in arcades, they're easy to mount on nearly any kind of enclosure. They're not waterproof or weatherproof, so best used indoors.

This button has a flat green plastic cover with a black retaining ring around it. There's an optional LED included that will light up the button. The LED has a built in resistor so you can run it up to 12V but given the shallow depth of the button, it doesn't illuminate the entire button face evenly. The button activates a common arcade microswitch (included), the switch contacts are normally open. When the button is pressed, the contacts close.


Technical Details

- 12mm / .5" height when pressed
- 15.2mm / .6" height when not pressed
- 52.5mm / 2.1" long stem with switch installed



Looking for pricing, stock, or lifecycle information?

Click below to explore more details on WIN SOURCE:

-  [View 1193 on WIN SOURCE](#)
-  [Adafruit Industries LLC Information](#)

Optimize Your Supply Chain with WIN SOURCE Solutions

-  Global Sourcing Solution
-  Obsolete Management
-  Cost Control Management
-  Shortage Management
-  Alternative Solution
-  Excess Inventory Management