



THE DATASHEET OF CDBW46-G

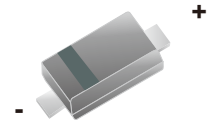


CDBW46-G

Reverse Voltage: 100 Volts

Forward Current: 150 mA

RoHS Device



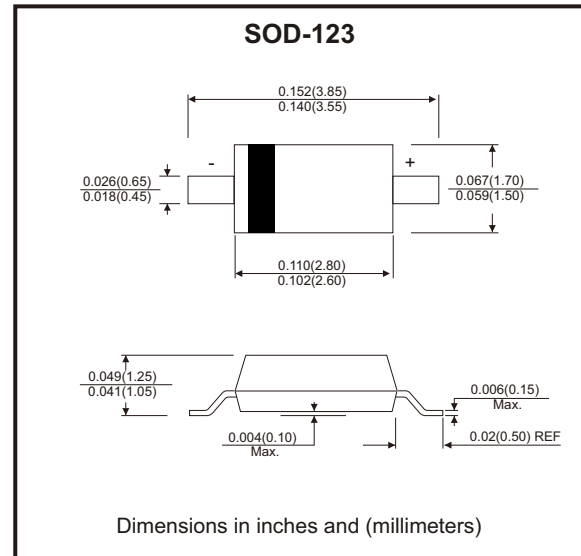
Features

- Design for mounting on small surface.
- High breakdown voltage.
- Low turn-on voltage.
- Guard ring construction for transient protection.

Mechanical data

- Case: SOD-123, Molded plastic.
- Terminals: Solderable per MIL-STD-202, Method 208.
- Weight: 0.04 grams (approx.).

Circuit Diagram



Maximum Ratings (at Ta=25°C unless otherwise noted)

Parameter	Conditions	Symbol	Limits	Unit
Peak repetitive peak reverse voltage Working peak reverse voltage DC blocking voltage		VRRM VRWM VR	100	V
Forward continuous current		IF	150	mA
Repetitive peak forward current (Note 1)	@tp < 1.0s, Duty Cycle < 50%	IFRM	350	mA
Forward surge forward current (Note 1)	@tp < 10ms	IFSM	750	mA
Power dissipation		PD	200	mW
Thermal resistance junction to ambient air		RθJA	625	°C/W
Junction temperature		Tj	-55 to +150	°C
Storage temperature		TSTG	-55 to +150	°C

Electrical Characteristics (at Ta=25°C unless otherwise noted)

Parameter	Conditions	Symbol	Min	Typ	Max	Unit
Reverse breakdown voltage (Note 2)	IR = 100µA	VR	100			V
Forward voltage (Note 2)	IF1 = 0.1mA IF2 = 10mA IF3 = 250mA	VF			0.25 0.45 1.0	V
Reverse voltage leakage current	VR1 = 1.5V VR2 = 10V VR3 = 50V VR4 = 75V	IR			0.3 0.5 1 2	µA
Diode capacitance	VR = 0V, f = 1MHz VR = 1V, f = 1MHz	CT		20 12		PF

Notes: 1.Part mounted on FR-4 board with recommended pad layout.
2.Short duration pulse test used to minimize self-heating effect.

Rating and Characteristic Curves (CDBW46-G)

Fig.1 - Typical Forward Characteristics

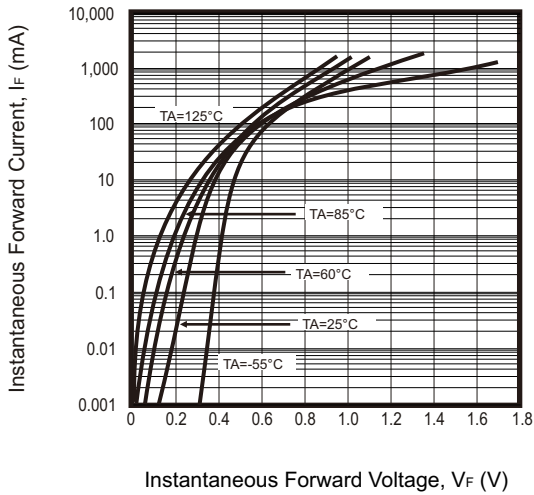


Fig.2 - Typical Reverse Characteristics

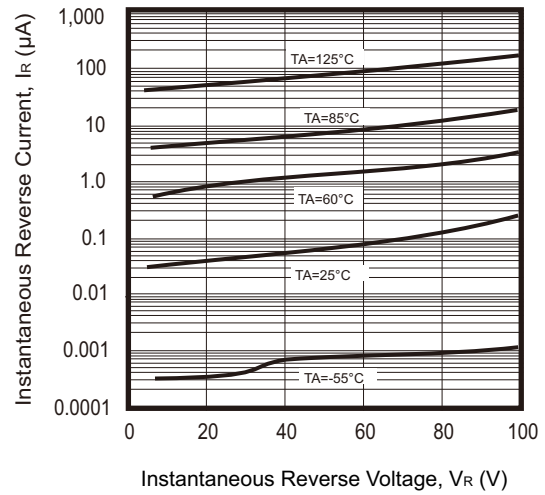


Fig.3 - Total Capacitance vs. Reverse Voltage

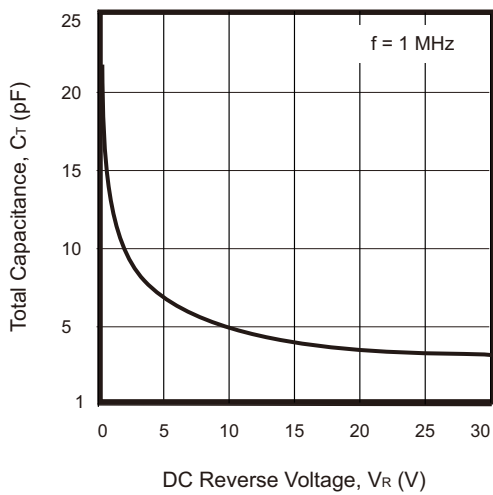
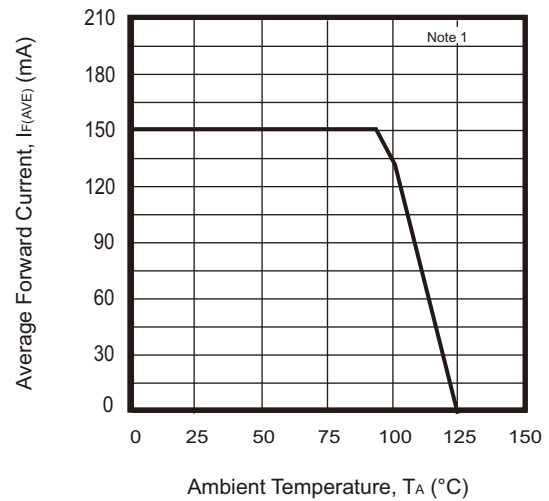
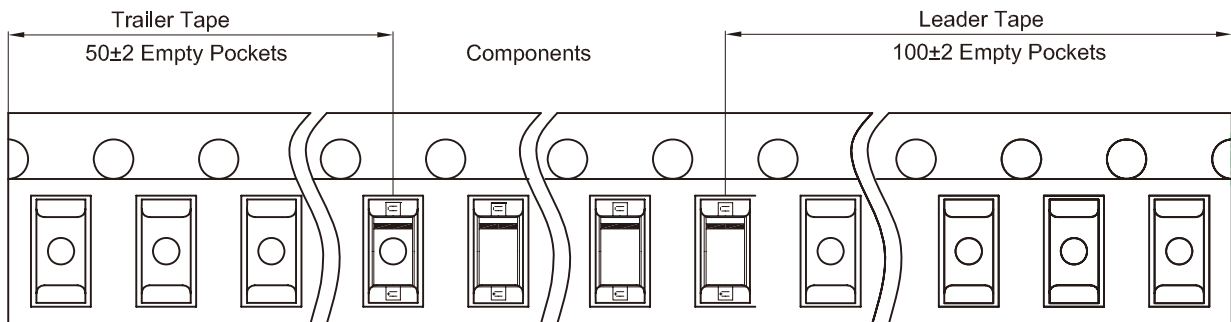
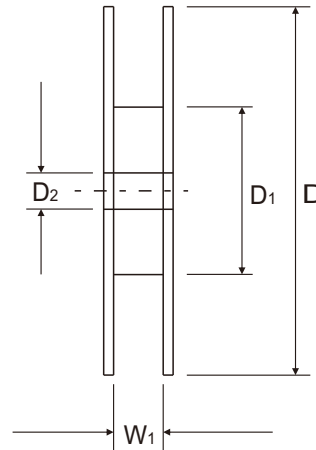
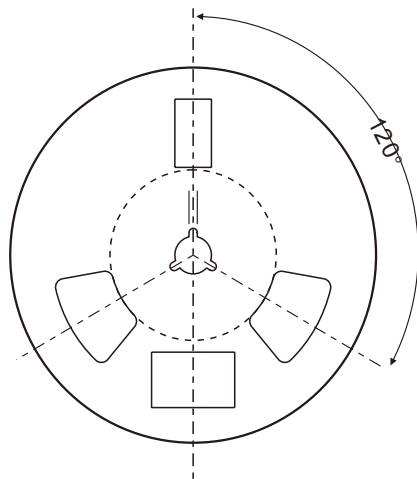
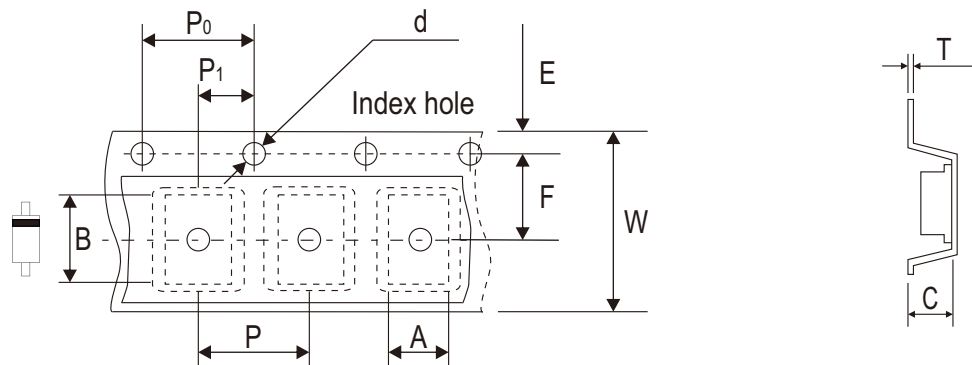


Fig.4 - Forward Current Derating



Reel Taping Specification



SOD-123	SYMBOL	A	B	C	d	D	D1	D2
	(mm)	1.85 ± 0.10	3.94 ± 0.10	1.57 ± 0.10	1.55 ± 0.10	178 ± 1.00	54.40 ± 0.40	13.0 ± 0.20
	(inch)	0.073 ± 0.004	0.155 ± 0.004	0.062 ± 0.004	0.061 ± 0.004	7.008 ± 0.039	2.142 ± 0.016	0.512 ± 0.008

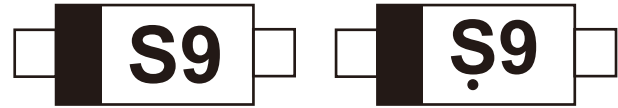
SOD-123	SYMBOL	E	F	P	P0	P1	W	W1
	(mm)	1.75 ± 0.10	3.50 ± 0.05	4.00 ± 0.10	4.00 ± 0.10	2.00 ± 0.10	8.00 + 0.30 / - 0.10	9.50 ± 1.00
	(inch)	0.069 ± 0.004	0.138 ± 0.002	0.158 ± 0.004	0.158 ± 0.004	0.079 ± 0.004	0.315 + 0.012 / - 0.004	0.374 ± 0.039

Company reserves the right to improve product design , functions and reliability without notice.

REV:D

Marking Code

Part Number	Marking Code
CDBW46-G	S9

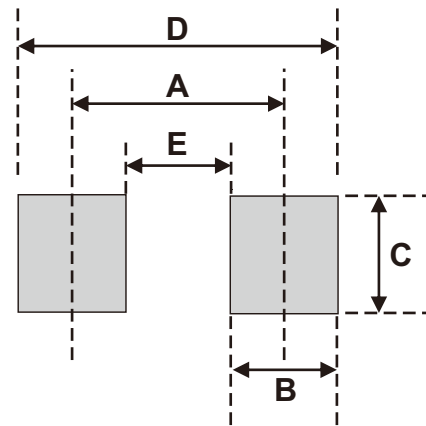


■ = Cathode band

● = Solid dot = Control code

Suggested P.C.B. PAD Layout

SIZE	SOD-123	
	(mm)	(inch)
A	3.35	0.132
B	0.80	0.031
C	1.00	0.039
D	4.15	0.163
E	2.55	0.100





Note: 1. The pad layout is for reference purposes only.

Standard Packaging

Case Type	REEL PACK	
	REEL (pcs)	Reel Size (inch)
SOD-123	3,000	7

Looking for pricing, stock, or lifecycle information?

Click below to explore more details on WIN SOURCE:

-  [View CDBW46-G on WIN SOURCE](#)
-  [Comchip Technology Information](#)

Optimize Your Supply Chain with WIN SOURCE Solutions

-  Global Sourcing Solution
-  Obsolete Management
-  Cost Control Management
-  Shortage Management
-  Alternative Solution
-  Excess Inventory Management