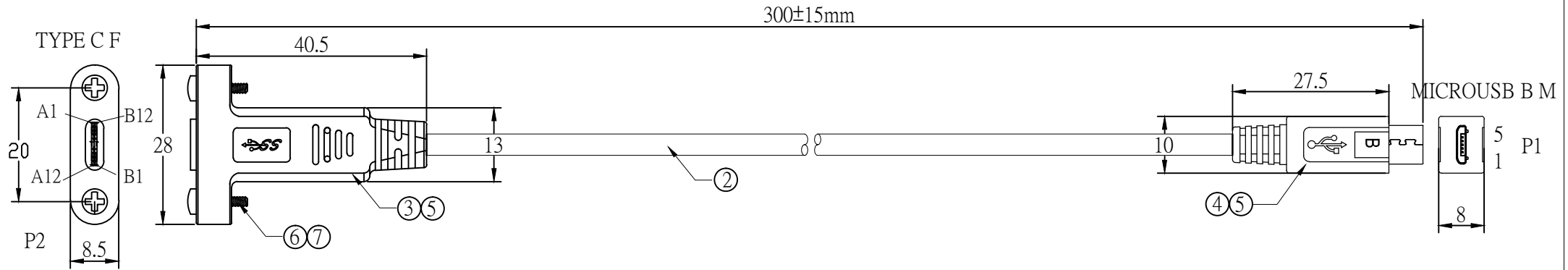


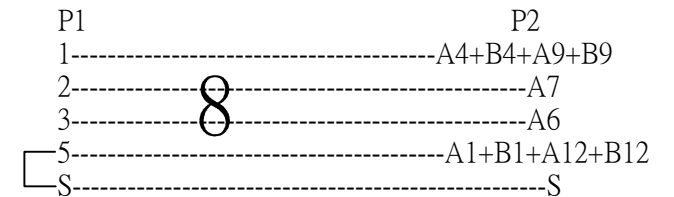
RoHS Compliant



OPEN/SHORT TEST: 100% TEST
INSULATION: 5M.

7	NUT:M3*4.75*2.	2PCS
6	ASSEMBLY SCREW: M3*12mm.	2PCS
5	OVERMOLD BLACK PVC 45P MA-001.	18g
4	MICROUSB2.0 B M BLACK INSULATOR SOLDER TYPE.	1PCS
3	USB3.1 C TYPE SOCKET BLACK INSULATOR SOLDER TYPE.	1PCS
2	28AWG*1P+24AWG*2C+EAB(65%) OD:4.5MM L:300mm BLACK PVC JACKET UL2725.	1PCS
1	Description USB-C to Micro B-M Screws.	Q'ty

PIN ASSIGNMENT




Company	Adafruit	Goods Code	Draw	Date	2018.12.05
ITEM NO.	TYPE C F-MICRO USB B M-30cm	Drawing Evidence:	Check	Date	
Goods NO.	C12984-001		Approval	L.Fried	Date
Original NO.	Unit(mm)		Audit	Date	

Premier Cable

D		
C		
B		
VER.	REVISE	Date

Looking for pricing, stock, or lifecycle information?

Click below to explore more details on WIN SOURCE:

-  [View 4056 on WIN SOURCE](#)
-  [Adafruit Industries LLC Information](#)

Optimize Your Supply Chain with WIN SOURCE Solutions

-  Global Sourcing Solution
-  Obsolete Management
-  Cost Control Management
-  Shortage Management
-  Alternative Solution
-  Excess Inventory Management