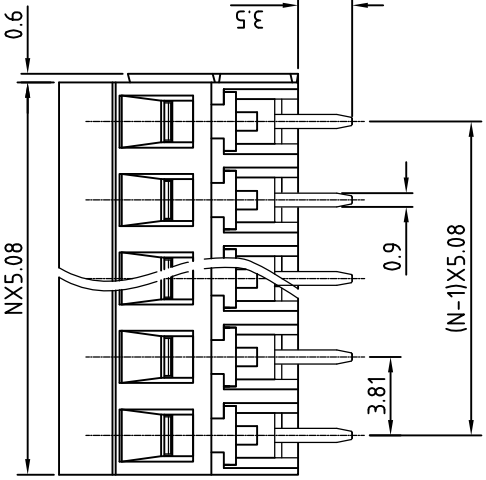
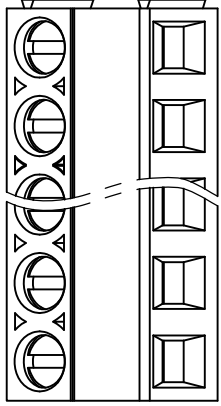




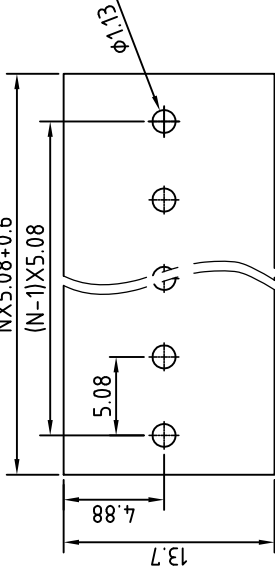
**THE DATASHEET OF
OSTT2222151**



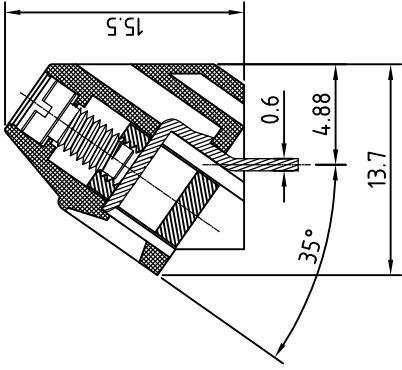
Transfer or duplication of this document as well as the utilisation or communication of its content are not permitted unless express consent is granted. Violations give rise to claims for damages. All rights reserved in case of patent, utility model or design patent registrations.



N=Number of contacts



P.C.B. LAYOUT



Technical Data:

Electrical

- Pitch: 5.08mm
- Voltage rating: 250V
- Current rating: 10 Amps
- Contact resistance: 20mΩ
- Withstanding Voltage: 250V
- Wire range: 12-26AWG
- Wire strip length: 6-7mm

Mechanical:

- Torque: 4.5kgf.cm/M3
- Operating temperature: -40°
- Soldering temperature: 250°C±10° C / 5
- Temperature= 250°C±10° C / 5
- Safety approval: RoHS Compliance

Part No.:

OSTT2XX2151

- No. of Poles
- 02 2 Poles
- 03 3 Poles
-
- 24 24 Poles

Nonstandard colors
Mins could apply

4	Screw	Steel / M3.0
3	Contact	Copper Alloy
2	Terminal	Copper Alloy
1	Body	PA66 UL94V-0

ITEM	NAME OF PART	MATE
------	--------------	------

DWG.	DATE	U
------	------	---

CHK.	DATE	S
------	------	---

APP.	DATE	T
------	------	---





ON-SHORE TECHNOLOGY, INC. ID

REV	SIGN	DESCRIPTION	CHK	DATE

Looking for pricing, stock, or lifecycle information?

Click below to explore more details on WIN SOURCE:

-  [View OSTT2222151 on WIN SOURCE](#)
-  [On Shore Technology Inc. Information](#)

Optimize Your Supply Chain with WIN SOURCE Solutions

-  Global Sourcing Solution
-  Obsolete Management
-  Cost Control Management
-  Shortage Management
-  Alternative Solution
-  Excess Inventory Management