



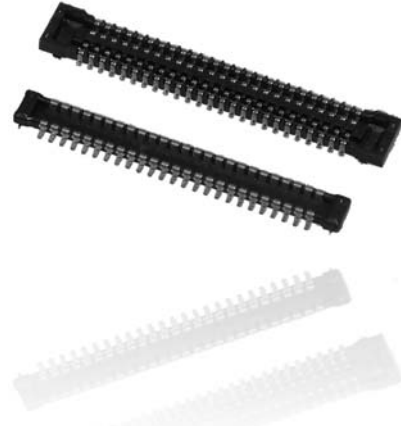
THE DATASHEET OF
245807012002829+



0.4mm Pitch
Board to Board Connector

5807 Series

シリーズ (Series)	5807
基板間高さ (Stacking Height)	0.7mm
極間隔 (Pitch)	0.4mm
極数 (No. of Positions)	10 to 80 Pos.
定格電流 (Rated Current)	DC 0.3A/Contact
定格電圧 (Rated Voltage)	DC 50V/Contact
耐電圧 (D. W. Voltage)	AC 250Vrms/min.
コンタクト材質 (Contact Material)	銅合金 (Copper alloy)
インシュレータ材質 (Insulator Material)	耐熱樹脂 (Heat-resistant plastic)
使用温度範囲 (Operating Temperature)	-40 to +85°C



◆概要

5807 シリーズは、0.4mm ピッチの基板対基板用コネクタで、奥行き寸法は弊社従来品 2.4mm から約 20%の小型化をはかり、1.9mm を実現しました。プラグコネクタとリセプタクルコネクタの嵌合時の基板間高さも 0.7mm と低背で、省スペース化とスリム化に貢献します。また、コネクタの裏面は絶縁の底壁を形成しコンタクトの露出をなくしたことで、基板配線設計の自由度を向上した製品です。

◆特長

- (1) 0.4mm ピッチ、奥行き寸法 1.9mm、嵌合高さ 0.7mm の省スペース型コネクタで、基板実装面積の省面積化に貢献します。
- (2) 嵌合時のロック構造は、弊社独自のロック構造を採用。低背でありながらも優れたクリック感と、抜去時の保持力を強化しています。
- (3) スリム・低背でありながらコネクタ裏面に底壁を設けて金属の露出をなくし、製品の端子ランド対向間のパターン配線をも可能としました。高密度実装に最適な構造です。
- (4) 接点部は、「挟み込み接点形状」(2点接点)を採用し、振動や落下衝撃などに強い構造となっています。また、プラグコネクタの形状は、集中荷重を上げて異物を排除(ワイピング効果)する機構を施し、高い接触信頼性を実現しています。
- (5) 5,000 個入りのエンボステープ梱包でお届けします。
- (6) 環境に優しい RoHS 指令対応品です。

◆Outline

The 5807 Series are 0.4mm pitch Board to Board Connectors featuring a width of 1.9mm, which is reduced by 20% compared with our conventional products. The stacking height between boards is only 0.7mm when mating the plug and receptacle connectors, thus contributing to space-saving and downsizing of the products to which they are applied. The bottom surfaces of the connectors are insulated and avoid exposure of contacts, thus enabling flexible designs on printed circuit boards.

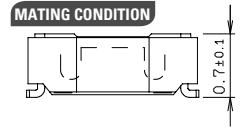
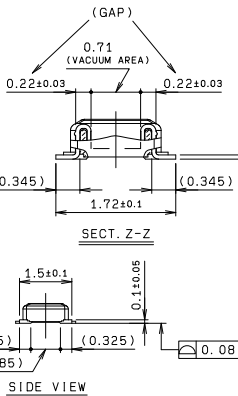
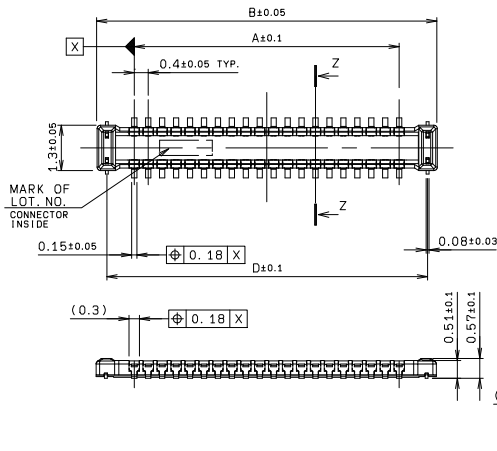
◆Features

- (1) Space-saving connectors featuring a pitch of 0.4mm, width of 1.9mm, and stacking height of 0.7mm between the boards, which contribute to downsizing of mounting areas.
- (2) Our original locking structure is adopted. In addition to its low profile, the connector features a nice "click" feeling and enhanced retention force.
- (3) Despite the slimness and low profile, contact part is not exposed due to a bottom surface on the back of the connector. Thus, patterns can be laid out between connector leads, realizing a suitable structure for high density packaging.
- (4) A pinching structure (two-point contact design), which is highly resistant to vibrations and drop shocks, has been adopted for the contact structure. Furthermore, the plug contacts have an original structure featuring a wiping effect which eliminates foreign matter with concentrated load, thus realizing high contact reliability.
- (5) Packaged in tape and reel: 5,000 pieces/reel.
- (6) RoHS compliant product.

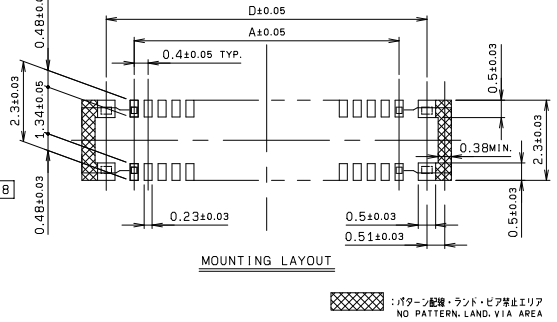
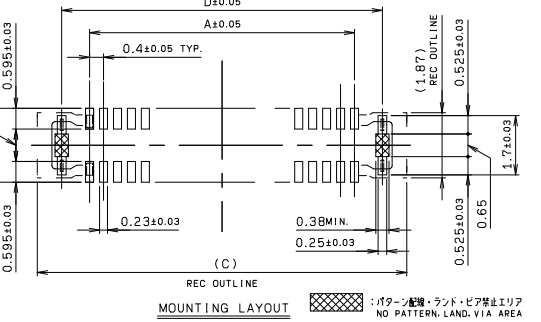
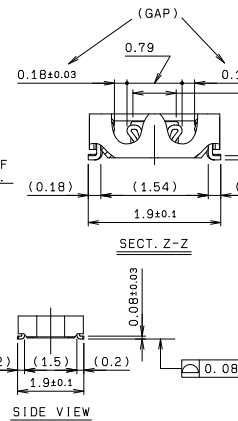
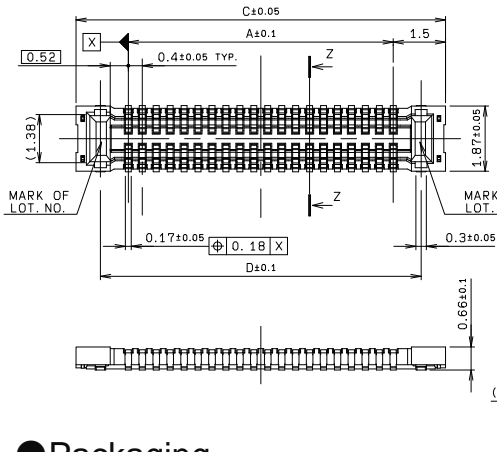
**0.4mm Pitch
5807 Series**

0.4mmピッチ 嵌合高さ0.7mm 金具付き SMT
0.4mm Pitch, Stacking Height=0.7mm, With Metal tabs, SMT

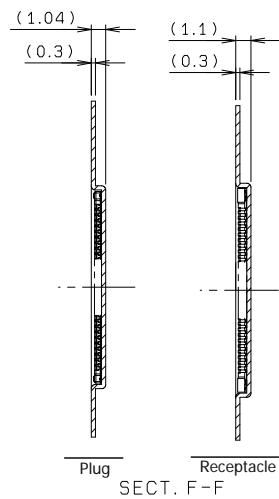
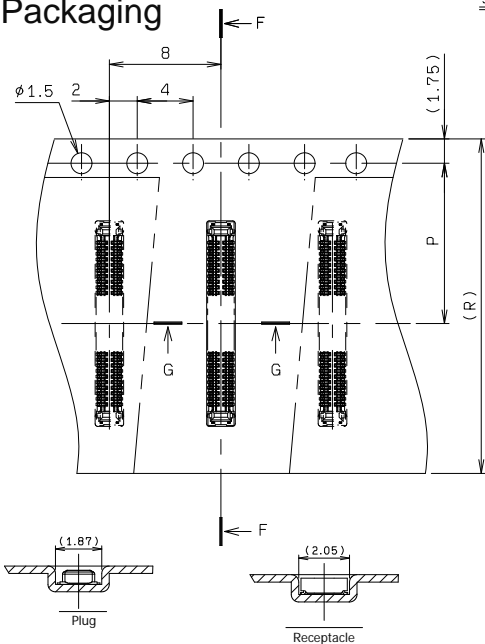
● Plug



● Receptacle



● Packaging



※極数により梱包仕様が異なる可能性があります。
For some numbers of positions, the packaging specification would vary.

極数 NO. OF POS.	A	B	C	D
10	1.6	3.76	4.6	3.2
12	2.0	4.16	5.0	3.6
14	2.4	4.56	5.4	4.0
16	2.8	4.96	5.8	4.4
18	3.2	5.36	6.2	4.8
20	3.6	5.76	6.6	5.2
22	4.0	6.16	7.0	5.6
24	4.4	6.56	7.4	6.0
26	4.8	6.96	7.8	6.4
30	5.6	7.76	8.6	7.2
32	6.0	8.16	9.0	7.6
34	6.4	8.56	9.4	8.0
36	6.8	8.96	9.8	8.4
40	7.6	9.76	10.6	9.2
44	8.4	10.56	11.4	10.0
50	9.6	11.76	12.6	11.2
54	10.4	12.56	13.4	12.0
60	11.6	13.76	14.6	13.2

極数 NO. OF POS.	P	R
10	5.5	12.0
12	5.5	12.0
14	7.5	16.0
16	7.5	16.0
18	7.5	16.0
20	7.5	16.0
22	7.5	16.0
24	7.5	16.0
26	7.5	16.0
30	7.5	16.0
32	7.5	16.0
34	11.5	24.0
36	11.5	24.0
40	11.5	24.0
44	11.5	24.0
50	11.5	24.0
54	11.5	24.0
60	11.5	24.0

注文コード/Ordering Code

Plug
Part No. 14 5807 0XX 012 829+
極数 No. of Pos.
Receptacle
Part No. 24 5807 0XX 002 829+
極数 No. of Pos.

RoHS 対応品
RoHS Compliant Product

梱包数量 : 5,000 個 / リール
PACKING QUANTITY: 5,000/Reel

本カタログには推奨めっきを掲載しております。めっき種類・仕様、ならびに生産対応可能極数については営業部にご確認願います。
Recommended plating types are mentioned in this catalogue. For other plating types and their specifications, and available numbers of positions, please feel free to contact our sales department.

Looking for pricing, stock, or lifecycle information?

Click below to explore more details on WIN SOURCE:

 [View 245807012002829+](#) on WIN SOURCE

 [AVX Corp/Kyocera Corp](#) Information

Optimize Your Supply Chain with WIN SOURCE Solutions

-  Global Sourcing Solution
-  Obsolete Management
-  Cost Control Management
-  Shortage Management
-  Alternative Solution
-  Excess Inventory Management