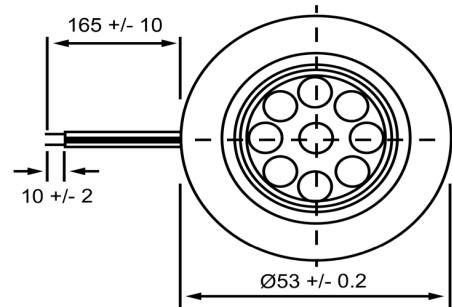




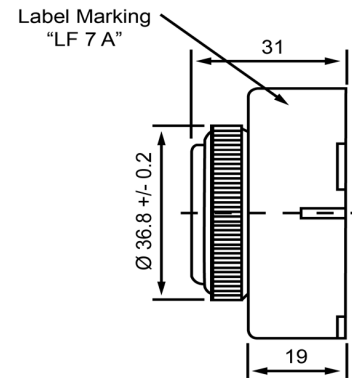
**THE DATASHEET OF
IP532806-1**





TOP VIEW



SIDE VIEW



Specifications			Notes	Revision History							
Description	Value	Unit		Version	Description		Date	Approved			
Technology	Piezo		1) All dimensions are in mm unless otherwise noted 2) All parts meet RoHS	1	Released from Engineering		10/21/2013	J.S			
Resonant Frequency	2,800	(Hz)									
Rated Voltage	6	(V)									
SPL @ 10cm	103	(dBA)									
Tone	Single										
Mount Type	Panel										
Voltage Range	3 ~ 12	(V)									
Max Rated Current	20	(mA)									
Housing Material	NORYL										
Operating Temperature	-30 ~ +70	°C									
Storage Temperature	-30 ~ +70	°C									
Weight	38	(g)									
 DB UNLIMITED			 Piezo Indicator			IP532806-1					
				Drawn by	Date	Checked by	Date	Approved by	Date		
				A.B.	10/21/2013	C.E.	10/21/2013	J.S	10/21/2013		

Additional considerations can be found at www.dbunlimitedco.com/technical-articles.

Looking for pricing, stock, or lifecycle information?

Click below to explore more details on WIN SOURCE:

 [View IP532806-1 on WIN SOURCE](#)

 [DB Unlimited](#). Information

Optimize Your Supply Chain with WIN SOURCE Solutions

-  Global Sourcing Solution
-  Obsolete Management
-  Cost Control Management
-  Shortage Management
-  Alternative Solution
-  Excess Inventory Management