



**THE DATASHEET OF
AW-11.2896MBE-T**



SMD Oscillators- CMOS Output 2.5 x 2.0 x 0.8 mm AW Series

Features

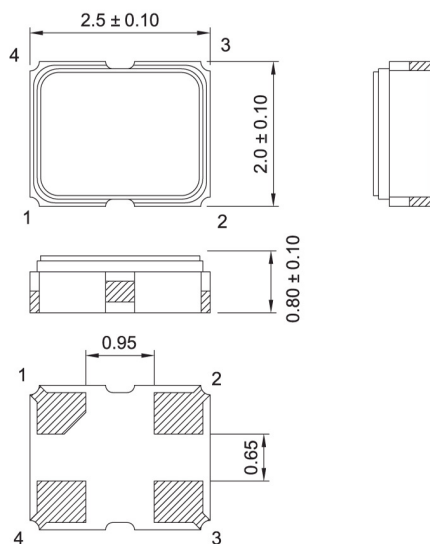
- Ultra Small SMD seam sealed clock crystal oscillator units.
- Tri-state function available.
- RoHS Compliant / Pb Free



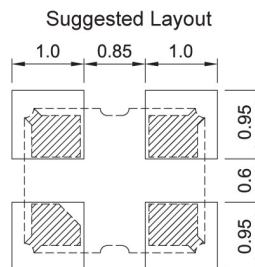
Electrical Specifications

Item / Type	AW
Output Type	CMOS
Output Load	15 pF , 30 pF
Oscillation Mode	Fundamental
Supply Voltage	1.8 V , 2.5 V , 3.3 V
Frequency Range	4 ~ 54 MHz
Frequency Stability	± 50 ppm
Operating Temperature Range	- 40 ~ + 85 °C
Storage Temperature Range	- 55 ~ + 125 °C
Voltage Vol (Max.) / Voh (Min.)	0.1 VDD / 0.9 VDD
Rise (Tr) / Fall (Tf) Time	8 ns Max.
Supply Current	15 mA Max.
Symmetry	45 ~ 55 %
Start-up Time	5 ms Max.
Phase Jitter (12 KHz ~ 20 MHz)	2 ps Max.
Aging (at 25 °C)	± 3 ppm / year Max.
Reliability Standard	AEC-Q100

Dimensions



PAD FUNCTION:
 1: ENABLE CONTROL
 2: GND
 3: OUT
 4: VDD



Units: mm

Remark : Specification subject to change without prior notice. Please confirm with our sales.

Looking for pricing, stock, or lifecycle information?

Click below to explore more details on WIN SOURCE:

 [View AW-11.2896MBE-T on WIN SOURCE](#)

 [TXC CORPORATION](#) Information

Optimize Your Supply Chain with WIN SOURCE Solutions

-  Global Sourcing Solution
-  Obsolete Management
-  Cost Control Management
-  Shortage Management
-  Alternative Solution
-  Excess Inventory Management