



**THE DATASHEET OF
AB26TRQ-32.768KHZ-T**



Low Frequency Reflowable Tuning Fork Crystal



5.2 x 1.45 x 1.45mm

AB26TRQ

Pb in high melting temperature type solders exempt 7(a) and Pb in copper alloy up to 4% exemption 6(c) per RoHSII 2011/65/EU Annex **RoHS/RoHS II Compliant**

Moisture Sensitivity Level (MSL) = Level 1

FEATURES:

- Miniature square-body, formed lead SMD package: 5.2 x 1.45 x 1.45mm
- Excellent shock and vibration resistance
- Reflow Capable
- Low cost for consumer applications

APPLICATIONS:

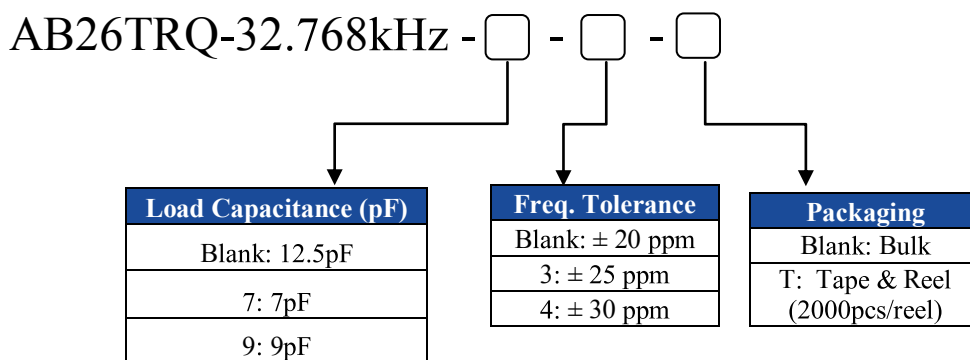
- Real time clock
- Measuring instruments
- Blue-tooth and wireless applications

STANDARD SPECIFICATIONS:

Parameters	Minimum	Typical	Maximum	Units	Notes
Frequency	32.768			kHz	
Operating Temperature	-40		+85	°C	
Turnover Temperature	+20	+25	+30	°C	
Storage Temperature	-55		+85	°C	
Frequency Tolerance @+25°C	-20		+20	ppm	See options
Frequency Coefficient (β)	-0.035±10%			ppm/°C ²	
Equivalent series resistance (R1)		50	65	kΩ	
Shunt capacitance (C0)		0.9		pF	
Motional capacitance (C1)		2.1		fF	
Load capacitance (CL)	12.5			pF	See options
Drive Level			1	μW	
Aging	-3		+3	ppm	@25°C First year
Insulation Resistance	500			MΩ	

OPTIONS & PART IDENTIFICATION:

(Left blank if standard)



Note: Please contact Abracon for tighter Freq. tolerance

Low Frequency Reflowable Tuning Fork Crystal

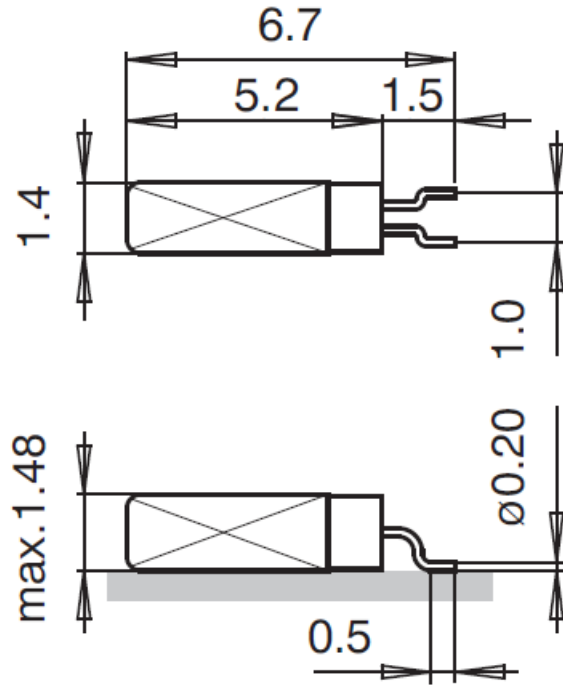
AB26TRQ

Pb in high melting temperature type solders exempt 7(a) and Pb in copper alloy up to 4% exemption 6(c) per RoHSII 2011/65/EU Annex **RoHS/RoHS II Compliant**

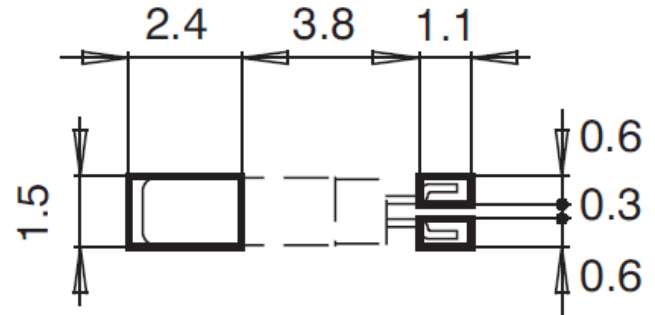


5.2 x 1.45 x 1.45mm

OUTLINE DRAWING:



Recommended Land Pattern



Dimensions: mm

METAL HOUSING:

Gold Plated Crystal Housing



Palladium Plated Crystal (Obselete)



Due to material availability, the current plating method utilizing Palladium (Pb) for the housing of AB26TRQ family of crystals is EOL'd. Going forward, the housing will be plated using Gold (Au). This change does not impact any electrical performance but enhances solderability and shelf life. This change is effective 07/01/2019 but please take note that during Q3-Q4 2019, AB26TRQ crystals may be shipped with either Pb or Au plating until the raw material inventory is consumed. Effective 01/01/2020, all AB26TRQ Quartz Crystals will be supplied with Au plating only. The image above reflects the cosmetic difference between two plating methodologies.

Low Frequency Reflowable Tuning Fork Crystal

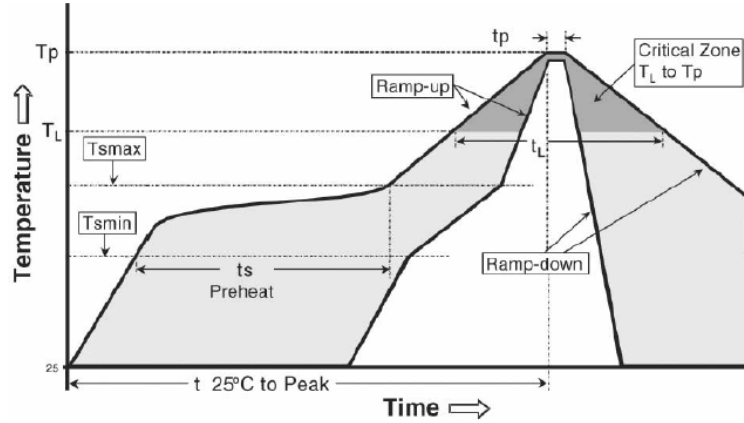
AB26TRQ

Pb in high melting temperature type solders exempt 7(a) and Pb in copper alloy up to 4% exemption 6(c) per RoHSII 2011/65/EU Annex **RoHS/RoHS II Compliant**



5.2 x 1.45 x 1.45mm

RECOMMENDED REFLOW PROFILE:



Temperature Range	Symbol	Condition	Unit
Average Ramp up Rate	($T_{s_{max}}$ to T_p)	3°C/second max	°C/s
Ramp Down Rate	T_{cool}	6°C/second max	°C/s
Time 25°C at Peak Temperature	$T_{to-peak}$	8 minutes max	m
Preheat			
Temperature Min	$T_{s_{min}}$	150	°C
Temperature Max.	$T_{s_{max}}$	200	°C
Time $T_{s_{min}}$ to $T_{s_{max}}$	T_s	60-180	Sec
Soldering above Liquidus			
Temperature Liquidus	T_L	217	°C
Time above Liquidus	t_L	60-150	Sec
Peak Temperature			
Peak Temperature	T_p	260	°C
Time within 5°C of Peak Temperature	t_p	20-40	Sec

Low Frequency Reflowable Tuning Fork Crystal



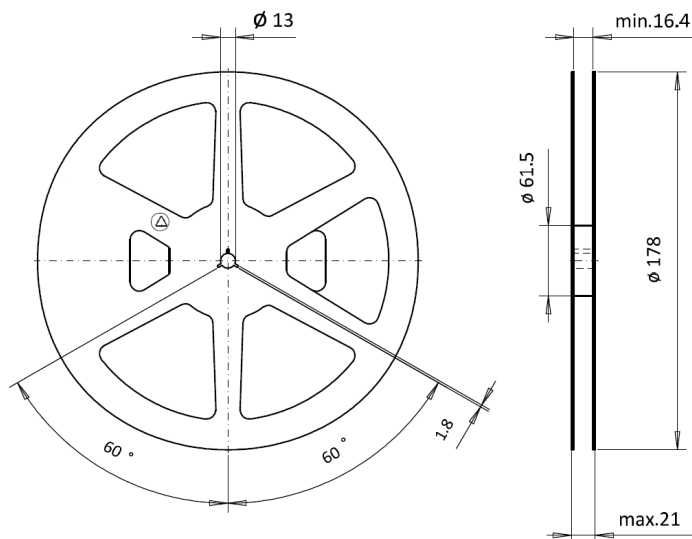
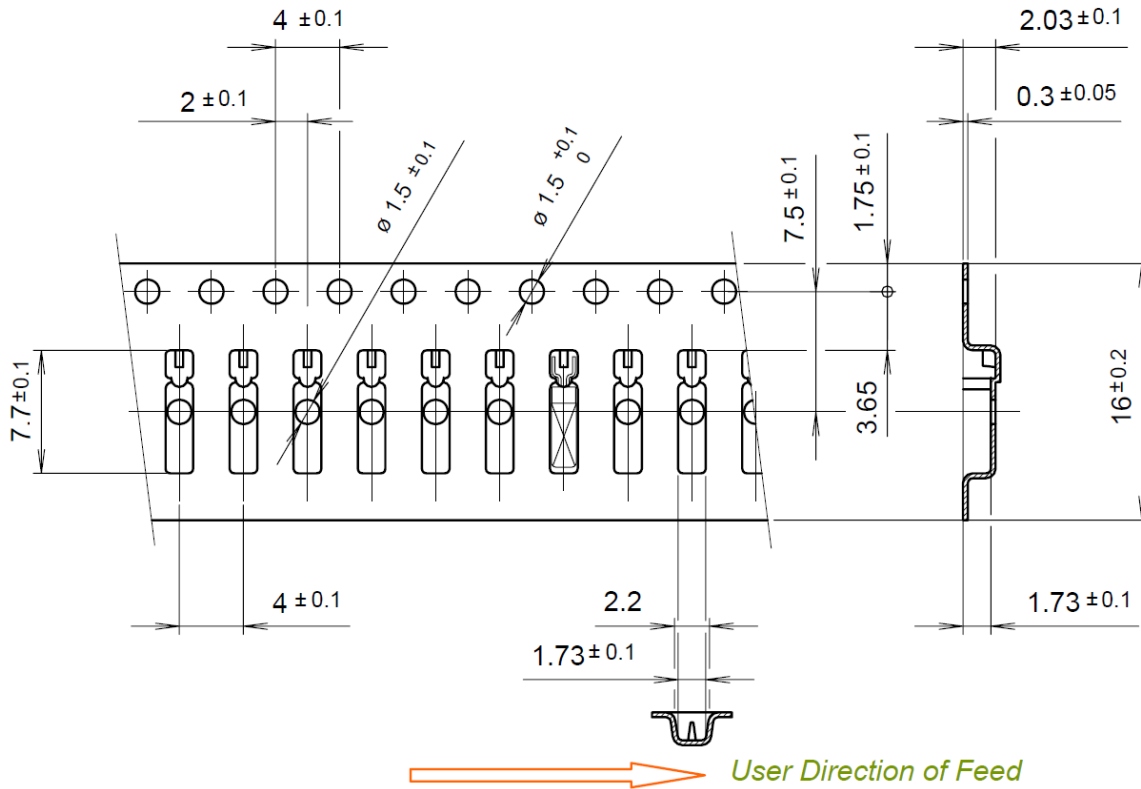
5.2 x 1.45 x 1.45mm

AB26TRQ

Pb in high melting temperature type solders exempt 7(a) and Pb in copper alloy up to 4% exemption 6(c) per RoHSII 2011/65/EU Annex **RoHS/RoHS II Compliant**

TAPE & REEL:

Packaging: T= Tape & Reel (2000pcs/reel)



Dimensions: mm

ATTENTION: Abracon LLC's products are COTS – Commercial-Off-The-Shelf products; suitable for Commercial, Industrial and, where designated, Automotive Applications. Abracon's products are not specifically designed for Military, Aviation, Aerospace, Life-dependent Medical applications or any application requiring high reliability where component failure could result in loss of life and/or property. For applications requiring high reliability and/or presenting an extreme operating environment, written consent and authorization from Abracon LLC is required. Please contact Abracon LLC for more information.

Looking for pricing, stock, or lifecycle information?

Click below to explore more details on WIN SOURCE:

- ⊖ [View AB26TRQ-32.768KHZ-T on WIN SOURCE](#)
- ⊖ [Abracon LLC Information](#)

Optimize Your Supply Chain with WIN SOURCE Solutions

- ✓ Global Sourcing Solution
- ✓ Obsolete Management
- ✓ Cost Control Management
- ✓ Shortage Management
- ✓ Alternative Solution
- ✓ Excess Inventory Management