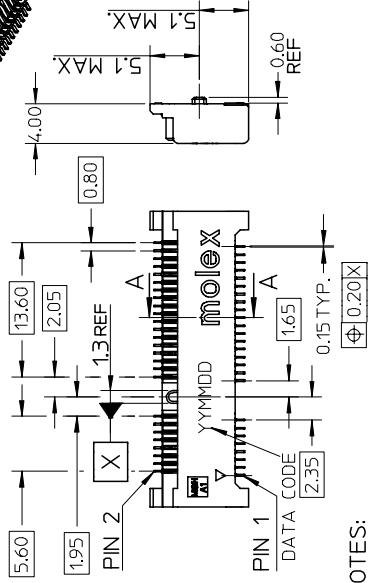
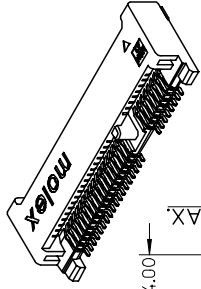
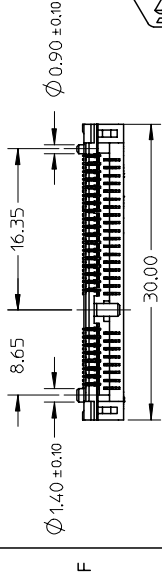




**THE DATASHEET OF**  
**0679100002**



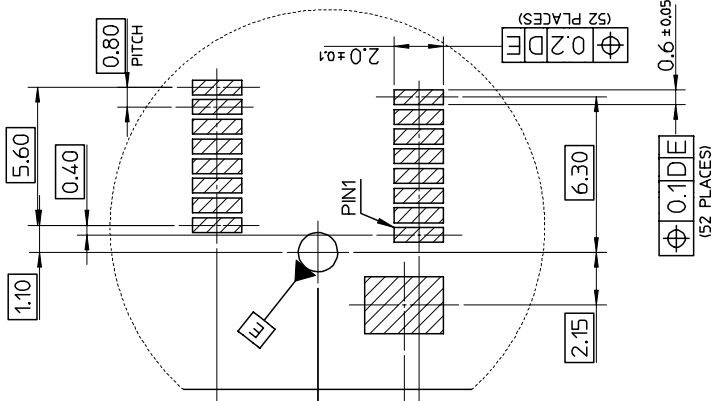
10 9 8 7 6 5 4 3



NOTES:

1. MATERIALS:  
HOUSING: LCP, COLOR: BLACK, UL94V-0.  
CONTACT: PHOSPHOR BRONZE NAIL-BRASS
2. FINISH  
CONTACT: SELECTIVE GOLD IN CONTACT AND SOLDER AREA.  
UNDERPLATED: NICKEL OVERALL  
NAIL-TIN IN SOLDER AREA.  
UNDERPLATED: NICKEL OVERALL.
3. THE MODULE CARD REFERENCE MINI PCI EXPRESS CARD ELECTROMECHANICAL SPECIFICATION.
4. DATUM D IS THE TOP SURFACE OF PCB.
5. IF THE CONNECTOR USED WITH 48099-00\*\* LATCH SIDE RECOMMENDED PCB LAYOUT REFERS TO SD-48099-0\*\*.
6. PART 67910\*\*\*\* COMPLIANT TO ROHS DIRECTIVE 2002/95/EC AND ELV DIRECTIVE 2000/53/EC.

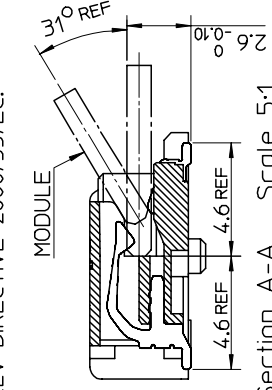
COMPONENT KEEP OUT AREA FOR CARD HOLD DOWN SOLUTION



Detail1  
Scale 5:1

679100002	10 MICRINCH GOLD
679101002	GOLD FLASH

RECOMMEN



Section A-A Scale 5:1

QUALITY SYMBOLS	GENERAL TOLERANCES (UNLESS SPECIFIED)	DIMENSION STYLE	SCALE
▶=0	4 PLACES ± ---	MM ONLY	2:1
◁=0	3 PLACES ± ---	DRAWN BY	TITLE
	2 PLACES ± 0.25	J. CHIANG	2003/02/25
	1 PLACE ± 0.25	CHECKED BY	DATE
	ANGULAR ± 3°	L. WILSON	2003/03/06
		APPROVED BY	DATE
		L. ERICK	2003/03/06
		MATERIAL NO.	DOCUMENT
		SEE TABLE	
		THIS DRAWING CONTAINS INFORMATION INCORPORATED AND SHOULD BE INCORPORATED AND SHOULD	

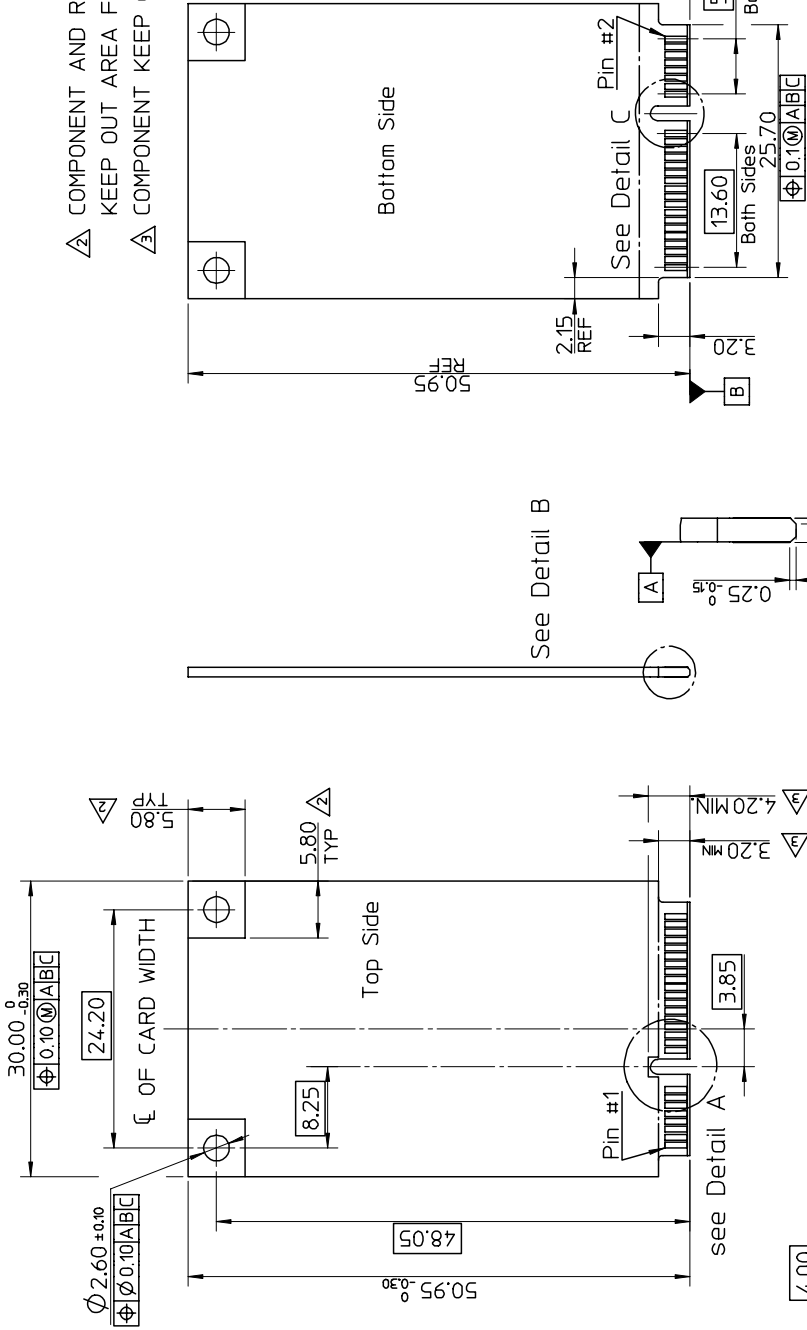
DESCRIPTION	REV
REL FASFD	1
EC NO: SH2007-0020	
DRWN: DHU	
CHKD: HARVEY	
APPR: JNCHEN	
2006/08/02	
2006/08/09	

3 4 5 6 7 8 9

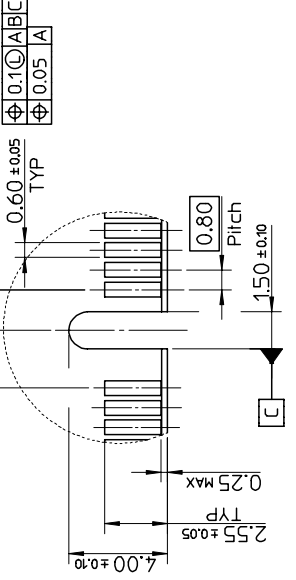
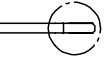
NOTES:

1. PIN NUMBERING REFERENCE

- △ COMPONENT AND ROUGHNESS SYMBOLS TO BE KEPT OUT AREA FOR FINISHING
- △ COMPONENT KEEP OUT AREA



See Detail B



Detail B

SCALE 5:1

Detail A  
Scale 5:1

QUALITY SYMBOLS ▶=0 ◁=0	GENERAL TOLERANCES (UNLESS SPECIFIED)	MM	INCH
	4 PLACES	± ---	± ---
	3 PLACES	± ---	± ---
	2 PLACES	± 0.25	± ---
	1 PLACE	± 0.25	± ---
ANGULAR ± 3 °			
DRAFT WHERE APPLICABLE MUST REMAIN WITHIN DIMENSIONS			
REV	DESCRIPTION		
1	DRWN:DHU 2006/08/02		
2	CHKD:HARVEY 2006/08/02		
3	APPR:JNCHEM 2006/08/09		
RELEASED EC NO: SH2007-0020			
QUALITY SYMBOLS	GENERAL TOLERANCES (UNLESS SPECIFIED)	DIMENSION STYLE	SCALE
▶=0 ◁=0	MM INCH	MM ONLY	1:1
	4 PLACES ± ---	DRAWN BY	TITLE
	3 PLACES ± ---	J. CHIANG	
	2 PLACES ± 0.25	CHECKED BY	DATE
	1 PLACE ± 0.25	C. WILSON	2003/02/25
	ANGULAR ± 3 °	APPROVED BY	DATE
	DRAFT WHERE APPLICABLE MUST REMAIN WITHIN DIMENSIONS	L. ERICK	2003/03/06
	REV	MATERIAL NO.	DOCUMENT
	DESCRIPTION	SEE TABLE	
	DRWN:DHU 2006/08/02	THIS DRAWING CONTAINS INFORMATION THAT SHOULD BE INCORPORATED AND SHOULD	
	CHKD:HARVEY 2006/08/02	A3	
	APPR:JNCHEM 2006/08/09		
	RELEASED EC NO: SH2007-0020		

## Looking for pricing, stock, or lifecycle information?

Click below to explore more details on WIN SOURCE:

 [View 0679100002 on WIN SOURCE](#)

 [Molex, LLC Information](#)

## Optimize Your Supply Chain with WIN SOURCE Solutions

-  Global Sourcing Solution
-  Obsolete Management
-  Cost Control Management
-  Shortage Management
-  Alternative Solution
-  Excess Inventory Management