



THE DATASHEET OF
046844761002846+

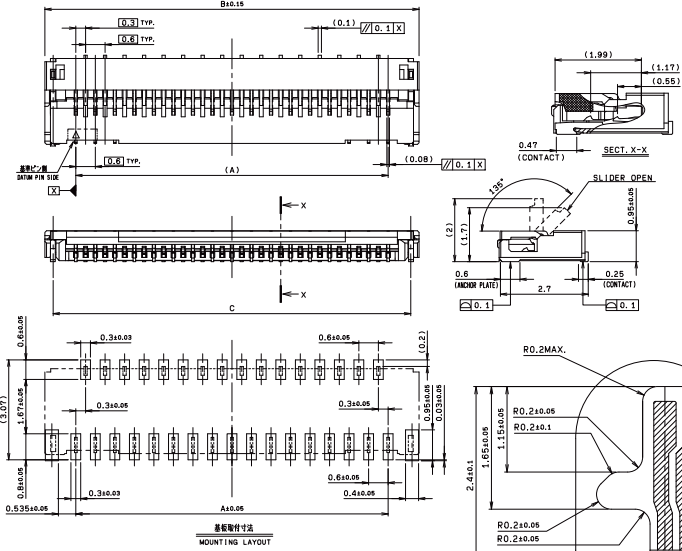


0.3mm Pitch
SERIES

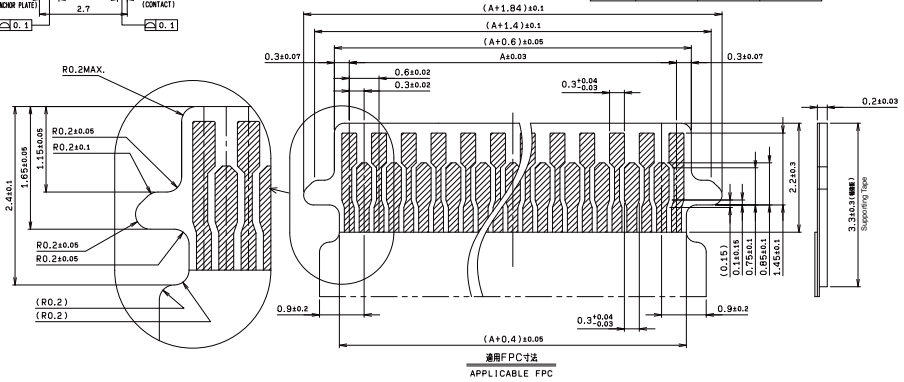
6844

0.3mmピッチ RA SMT 下接点 ワンタッチロック
0.3mmPitch RA SMT Bottom contact One-touch lock

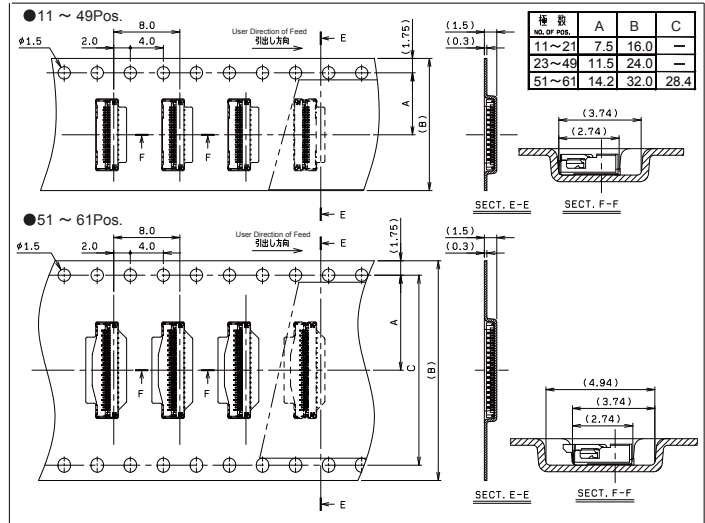
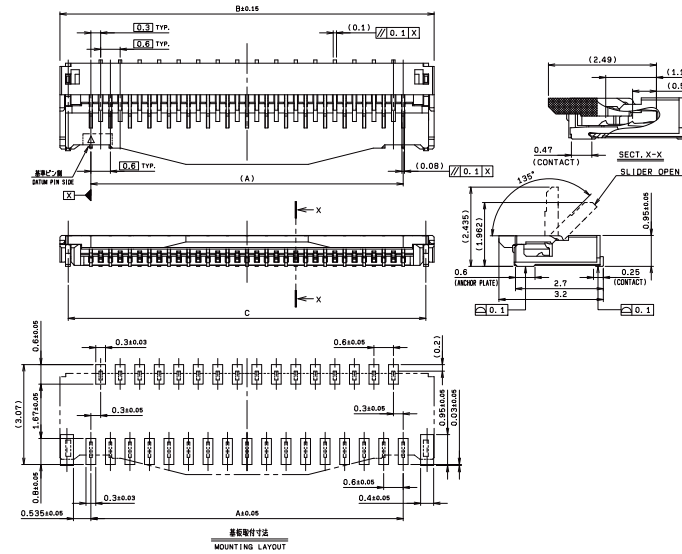
●11 ~ 49Pos.



極数 NO. OF POS.	A	B	C	極数 NO. OF POS.	A	B	C
11	3.0	4.9	4.39	35	10.2	12.1	11.59
13	3.6	5.5	4.99	37	10.8	12.7	12.19
15	4.2	6.1	5.59	39	11.4	13.3	12.79
17	4.8	6.7	6.19	41	12.0	13.9	13.39
19	5.4	7.3	6.79	43	12.6	14.5	13.99
21	6.0	7.9	7.39	45	13.2	15.1	14.59
23	6.6	8.5	7.99	47	13.8	15.7	15.19
25	7.2	9.1	8.59	49	14.4	16.3	15.79
27	7.8	9.7	9.19	51	15.0	16.9	16.39
29	8.4	10.3	9.79	53	15.6	17.5	16.99
31	9.0	10.9	10.39	55	16.2	18.1	17.59
33	9.6	11.5	10.99	57	16.8	18.7	18.19
35	10.2	12.1	11.59	59	17.4	19.3	18.79
				61	18.0	19.9	19.39



●51 ~ 61Pos.



注文コード ORDERING CODE
04 6844 7XX 002 846+

RoHS 対応品
RoHS Compliant Product

極数 NUMBER OF POSITIONS

生産対応可能極数については、
営業部にご確認願います。

Feel free to contact our sales department
for available numbers of positions.

梱包数量 5000個/リール
PACKING QUANTITY : 5000/Reel







Looking for pricing, stock, or lifecycle information?

Click below to explore more details on WIN SOURCE:

 [View 046844761002846+ on WIN SOURCE](#)

 [AVX Corp/Kyocera Corp](#) Information

Optimize Your Supply Chain with WIN SOURCE Solutions

-  Global Sourcing Solution
-  Obsolete Management
-  Cost Control Management
-  Shortage Management
-  Alternative Solution
-  Excess Inventory Management