

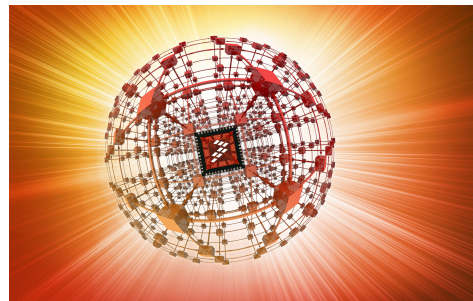


**THE DATASHEET OF  
MKL02Z32VFM4**



# KL02/KL04/KL05 Product Brief

## Supports all KL02, KL04 and KL05 devices



### Contents

## 1 Kinetis L series

The Kinetis L series is the most scalable portfolio of ultra low-power, mixed-signal ARM® Cortex®-M0+ MCUs in the industry. The portfolio includes five MCU families that offer a broad range of memory, peripheral and package options. Kinetis L Series families share common peripherals and pin-counts allowing developers to migrate easily within an MCU family or between MCU families to take advantage of more memory or feature integration. This scalability allows developers to standardize on the Kinetis L Series for their end product platforms, maximising hardware and software reuse and reducing time-to-market.

Features common to all Kinetis L series families include:

- 48 MHz ARM Cortex-M0+ core
- High-speed 12/16-bit analog-to-digital converters
- 12-bit digital-to-analog converters for all series except for KLx4/KLx2 family
- High-speed analog comparators
- Low-power touch sensing with wake-up on touch from reduced power states for all series except for KLx4/KLx2 family
- Powerful timers for a broad range of applications including motor control
- Low-power focused serial communication interfaces such as low-power UART, SPI, I2C, and others.
- Single power supply: 1.71–3.6 V with multiple low-power modes support single operation temperature:

1	Kinetis L series.....	1
2	KL02/KL04/KL05 sub-family introduction.....	3
3	Block diagram.....	4
4	Features.....	7
5	Power modes.....	20
6	Revision history.....	22

## Kinetis L series

- -40 ~ 105 °C (exclude WLCSP package)
- -40 ~ 85 °C (WLCSP package)

Kinetis L series MCU families combine the latest low-power innovations with precision mixed-signal capability and a broad range of communication, connectivity, and human-machine interface peripherals. Each MCU family is supported by a market-leading enablement bundle from Freescale and numerous ARM third party ecosystem partners. The KL0x family is the entry-point to the Kinetis L series and is pin-compatible with the 8-bit S08PT family. The KL1x/2x/3x/4x families are compatible with each other and their equivalent ARM Cortex-M4 Kinetis K series families—K10/20/30/40.

The following figure depicts key features, memory and package options for Kinetis L series family of MCUs.

Family	Program Flash	Packages	Key Features
KL4x Family	128-256KB	64-121pin	
KL3x Family	64-256KB	64-121pin	
KL2x Family	32-256KB	32-121pin	
KL1x Family	32-256KB	32-80pin	
KL0x Family	8-32KB	16-48pin	

Low power   
 Mixed signal   
 USB   
 Segment LCD

**Figure 1. Kinetis L series families of MCU portfolio**

All Kinetis L series families include a powerful array of analog, communication and timing and control peripherals with the level of feature integration increasing with flash memory size and the pin count. Features within the Kinetis L series families include:

- Core and architecture:
  - ARM Cortex-M0+ Core running up to 48 MHz with zero wait state execution from memories
    - Single-cycle access to I/O: Up to 50 percent faster than standard I/O, improves reaction time to external events allowing bit banging and software protocol emulation
    - Two-stage pipeline: Reduced number of cycles per instruction (CPI), enabling faster branch instruction and ISR entry, and reducing power consumption
    - Excellent code density as compared to 8-bit and 16-bit MCUs: Reduces flash size, system, cost and power consumption
    - Optimized access to program memory: Accesses on alternate cycles reduces power consumption.
    - 100 percent compatible with ARM Cortex-M0 and a subset ARM Cortex-M3/M4: Reuse existing compilers and debug tools.
    - Simplified architecture: 56 instructions and 17 registers enable easy programming and efficient packaging of 8/16/32-bit data in memory.
    - Linear 4 GB address space removes the need for paging/banking, reducing software complexity.
    - ARM third-party ecosystem support: Software and tools to help minimize development time/cost
  - Micro Trace Buffer: Lightweight trace solution allows fast bug identification and correction.

- Bit Manipulation Engine (BME): BME reduces code size and cycles for bit-oriented operations to peripheral registers eliminating traditional methods where the core would need to perform read-modify-write operations.
- Up to 4-channel DMA for peripheral and memory servicing with minimal CPU intervention (feature not available on KL02 family)
- Ultra low-power:
  - Extreme dynamic efficiency: 32-bit ARM Cortex-M0+ core combined with Freescale 90 nm thin-film storage flash technology delivers 50% energy savings per Coremark in comparison to the closest 8/16-bit competitive solution.
  - Multiple flexible low-power modes, including new operation clocking option which reduces dynamic power by shutting off bus and system clocks for lowest power core processing. Peripherals with an alternate asynchronous clock source can continue operation.
  - UART, SPI, I2C, ADC, DAC, TPM, LPTMR, and DMA support low-power mode operation without waking up the core (DMA is not available on KL02).
- Memory:
  - Scalable memory footprints from 8 KB flash / 1 KB SRAM to 256 KB flash / 32 KB SRAM
  - Embedded 64 B cache memory for optimizing bus bandwidth and flash execution performance (32 B cache on KL02 family)
- Mixed-signal analog:
  - Fast, high-precision 16-, or 12-bit ADC with optional differential pairs, 12-bit DAC, high-speed comparators.
  - Powerful signal conditioning, conversion, and analysis capability with reduced system cost (12-bit DAC not available on KL02 family)
- Human Machine Interface (HMI):
  - Optional capacitive Touch Sensing Interface with full low-power support and minimal current adder when enabled
  - Segment LCD controller
- Connectivity and communications:
  - Up to three UARTs:
    - All UARTs support DMA transfers, and can trigger when data on bus is detected;
    - UART0 supports 4x to 32x over sampling ratio;
    - Asynchronous transmit and receive operation for operating in STOP/VLPS modes.
  - Up to two SPIs
  - Up to two I<sup>2</sup>Cs
  - Full-speed USB OTG controller with on-chip transceiver
  - 3.3–5 V USB on-chip regulator
  - Up to one I<sup>2</sup>S
- Reliability, safety, and security:
  - Internal watchdog with independent clock source
- Timing and control:
  - Powerful timer modules which support general-purpose, PWM, and motor control functions
  - Periodic Interrupt Timer for RTOS task scheduler time base or trigger source for ADC conversion and timer modules
- System:
  - GPIO with pin interrupt functionality
  - Wide operating voltage range from 1.71 V to 3.6 V with flash programmable down to 1.71 V with fully functional flash and analog peripherals
  - Ambient operating temperature ranges from –40 °C to 85 °C for WLCSP package and 105 °C for all the other packages

## 2 KL02/KL04/KL05 sub-family introduction

The device is highly-integrated, market leading ultra low-power 32-bit microcontroller based on the enhanced Cortex-M0+ (CM0+) core platform. The features of the KL0x family derivatives are as follows.

- Core platform clock up to 48 MHz, bus clock up to 24 MHz

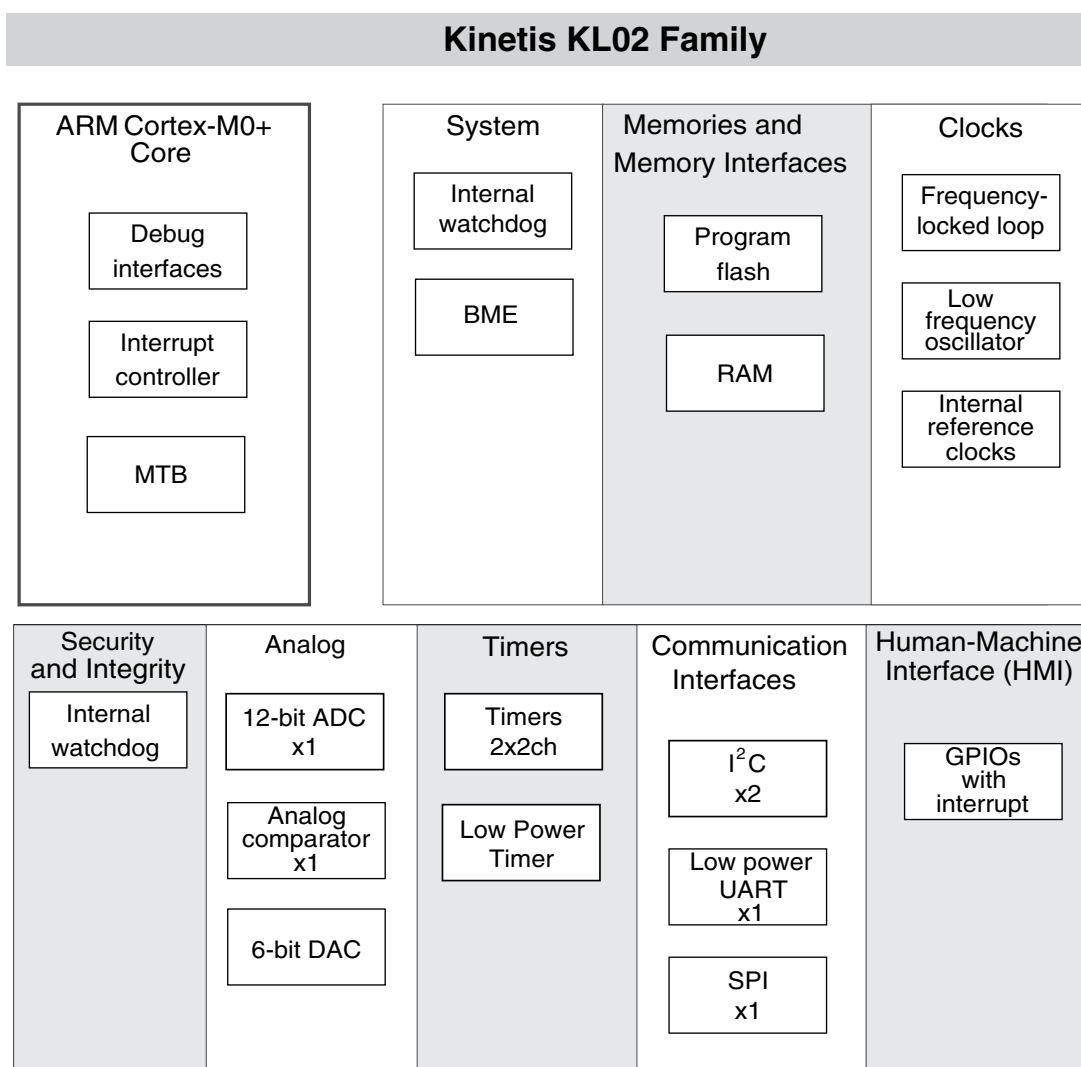
## Block diagram

- Memory option is up to 32 KB Flash and 4 KB RAM
- Wide operating voltage ranges from 1.71–3.6 V with fully functional flash program/erase/read operations
- Multiple package options from 24-pin to 48-pin for KL04 and KL05
- Ambient operating temperature ranges from –40 °C to 85 °C for WLCSP package and –40 °C to 105 °C for all the others.

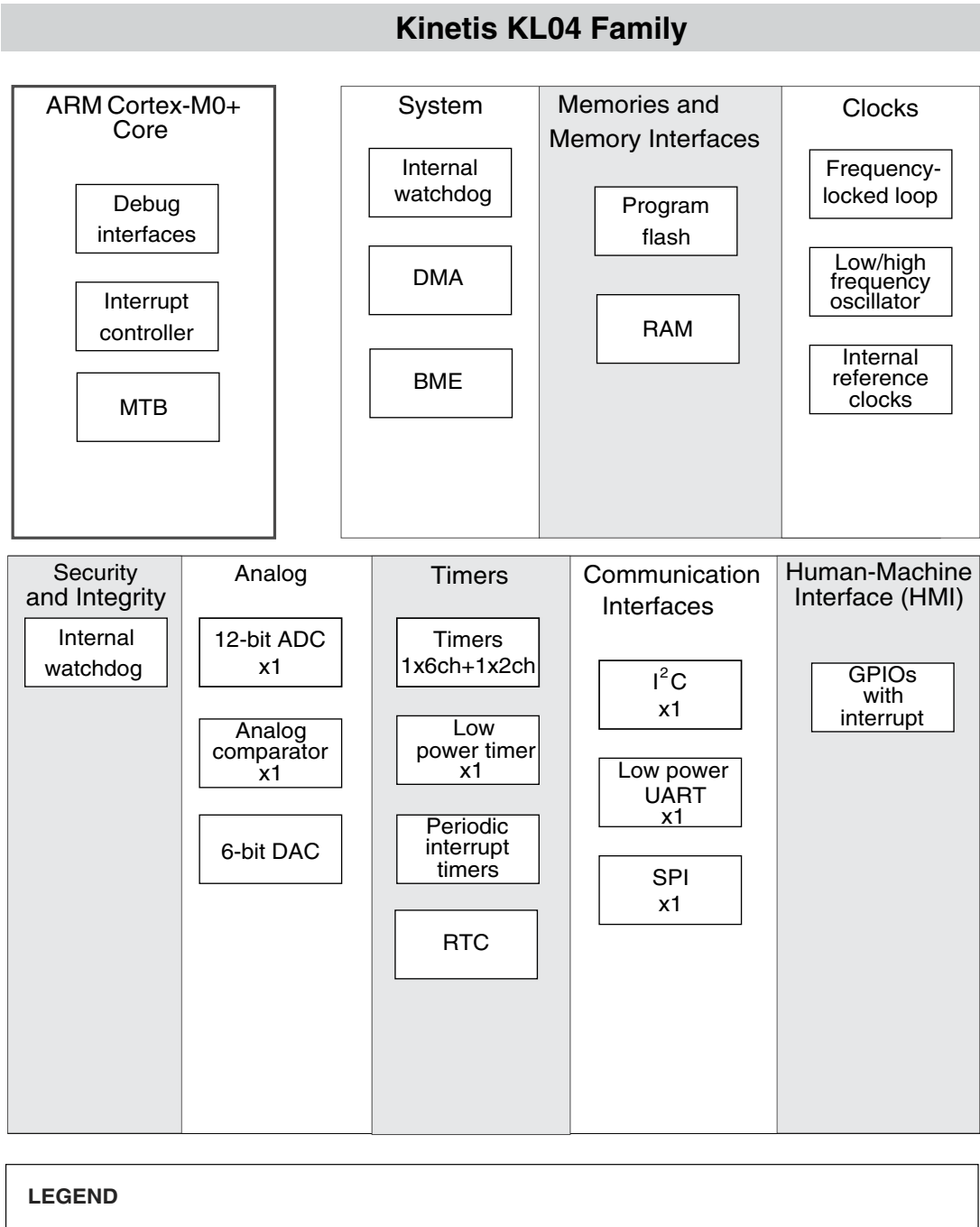
The family acts as an ultra low-power, cost-effective microcontroller to provide developers an appropriate entry-level 32-bit solution. The family is the next-generation MCU solution for low-cost, low-power, high-performance devices applications. It's valuable for cost-sensitive, portable applications requiring long battery life-time.

## 3 Block diagram

The following figure shows a superset block diagram of the device. Other devices within the family have a subset of the features.

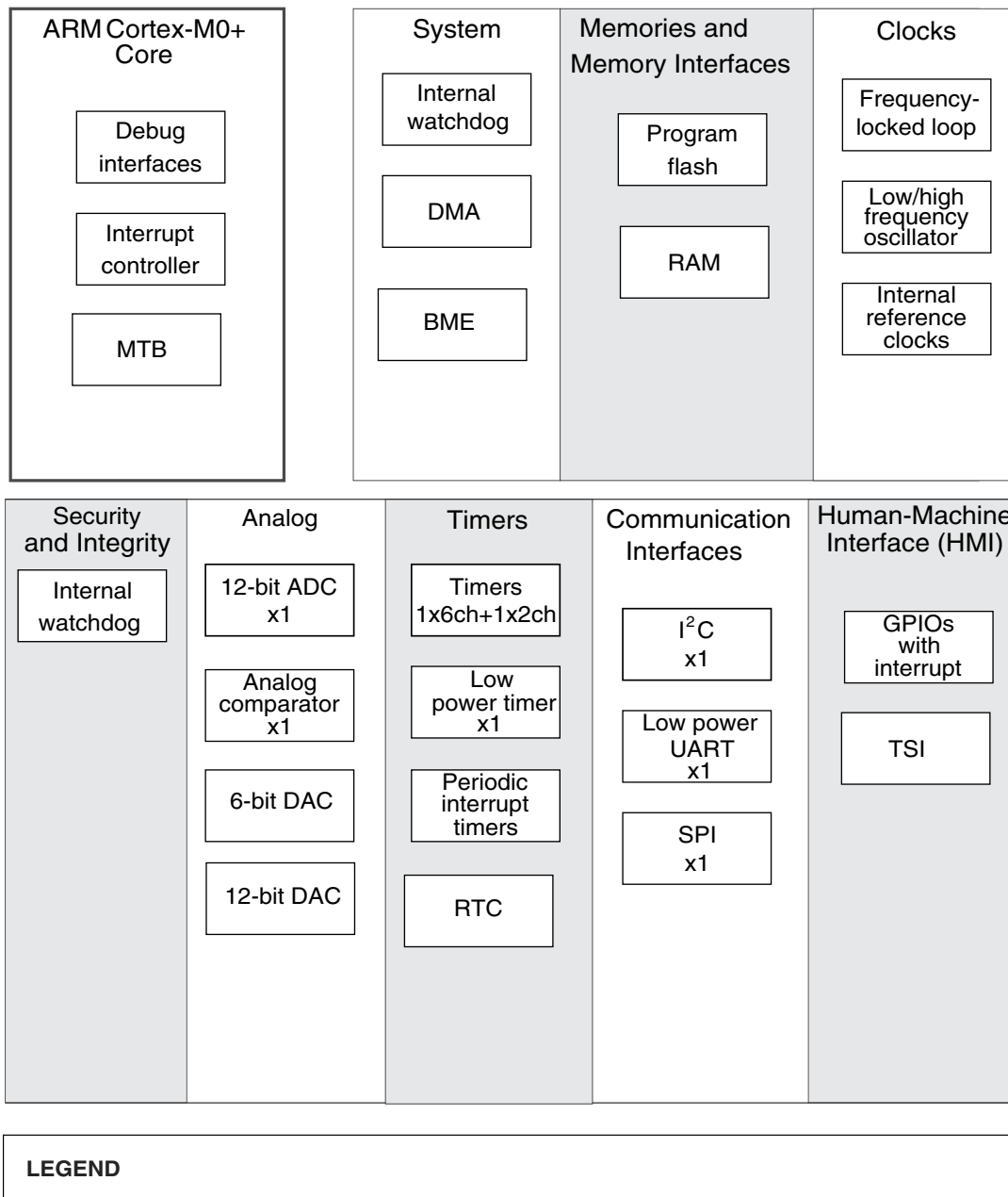


**Figure 2. KL02 family block diagram**



**Figure 3. KL04 family block diagram**

## Kinetic KL05 Family



**Figure 4. KL05 family block diagram**

## 4 Features

### 4.1 Feature summary

All devices within the KL02, KL04 and KL05 family have the following features at a minimum.

**Table 1. Common features among all KL02, KL04 and KL05 devices**

Operating characteristics	<ul style="list-style-type: none"> <li>• 1.71 V to 3.6 V</li> <li>• Temperature range (<math>T_A</math>) -40 °C to 85 °C for WLCSP package and -40 °C to 105 °C for all the others</li> <li>• Flexible modes of operation</li> </ul>
Core features	<ul style="list-style-type: none"> <li>• Next generation 32-bit ARM Cortex M0+ core</li> <li>• Support up to 32 interrupt request sources</li> <li>• Nested vectored interrupt controller (NVIC)</li> <li>• Debug and trace capability               <ul style="list-style-type: none"> <li>• 2-pin serial wire debug (SWD)</li> <li>• Micro trace buffer (MTB)</li> </ul> </li> </ul>
System and power management	<ul style="list-style-type: none"> <li>• Software watchdog</li> <li>• Integrated bit manipulation engine (BME)</li> <li>• DMA controller for KL04 and KL05</li> <li>• Low-leakage wake-up unit (LLWU) for KL04 and KL05</li> <li>• Power management controller with 10 different power modes</li> <li>• Nonmaskable interrupt (NMI)</li> <li>• 80-bit unique identification (ID) number per chip</li> </ul>
Clocks	<ul style="list-style-type: none"> <li>• External crystal oscillator or resonator</li> <li>• DC-48 MHz external square wave input clock</li> <li>• Internal clock references               <ul style="list-style-type: none"> <li>• 31.25 to 39.063 kHz oscillator</li> <li>• 4 MHz oscillator</li> <li>• 1 kHz oscillator</li> </ul> </li> <li>• Frequency-locked loop with the range of               <ul style="list-style-type: none"> <li>• 20-25 MHz</li> <li>• 40-48 MHz</li> </ul> </li> </ul>
Memory and memory interfaces	<ul style="list-style-type: none"> <li>• Up to 32 KB flash with 64 byte cache for KL04/KL05 and 32 byte cache for KL02</li> <li>• Up to 4 KB random-access memory</li> </ul>
Security and integrity	<ul style="list-style-type: none"> <li>• COP watchdog</li> </ul>
Analog	<ul style="list-style-type: none"> <li>• 12-bit analog-to-digital converter (ADC)</li> <li>• High-speed comparator (HSCMP) with internal 6-bit digital-to-analog converter (DAC)</li> <li>• 12-bit digital-to-analog converter (DAC) for KL05</li> </ul>
Timers	<ul style="list-style-type: none"> <li>• One 6-channel and one 2-channel 16-bit TPM modules for KL04 and KL05, and two 2-channel 16-bit TPM modules for KL02</li> <li>• 32-bit Programmable interrupt timer (PIT) for KL04 and KL05</li> <li>• Real-time clock (RTC) for KL04 and KL05</li> <li>• Low-power timer (LPTMR)</li> <li>• System tick timer (SYSTIK)</li> </ul>

*Table continues on the next page...*

**Table 1. Common features among all KL02, KL04 and KL05 devices (continued)**

Communications	<ul style="list-style-type: none"> <li>• SPI with DMA support<sup>1</sup></li> <li>• I<sup>2</sup>C with DMA support<sup>2</sup></li> <li>• Low-power UART with DMA support<sup>2</sup></li> </ul>
Human-machine interface	<ul style="list-style-type: none"> <li>• GPIO with pin interrupt support, DMA request capability, and other pin control options<sup>2</sup></li> <li>• Capacitive touch sensing inputs for KL05</li> </ul>

1. KL02 does not support DMA.
2. KL02 does not support DMA feature.

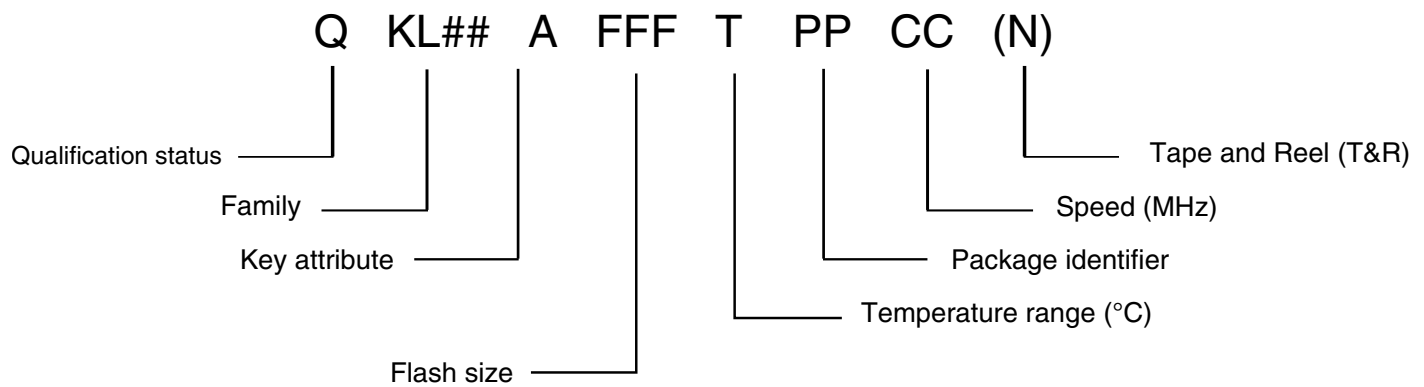
## 4.2 Memory and package options

The following table summarizes the memory and package options for the KL0x family. All devices which share a common package are pin-for-pin compatible.

**Table 2. KL0x family summary**

Sub-Family	Performance (MHz)	Memory		Package					
		Flash (KB)	SRAM (KB)	16 QFN (3x3)	20 CSP (2x2)	24 QFN (4x4)	32 LQFP (7x7)	32 QFN (5x5)	48 LQFP (7x7)
KL02	48	8	1	+	—	—	—	—	—
	48	16	2	+	—	+	—	+	—
	48	32	4	+	+	+	—	+	—
KL04	48	8	1	—	—	+	+	+	—
	48	16	2	—	—	+	+	+	+
	48	32	4	—	—	+	+	+	+
KL05	48	8	1	—	—	+	+	+	—
	48	16	2	—	—	+	+	+	+
	48	32	4	—	—	+	+	+	+

## 4.3 Part numbers and packaging


**Figure 5. Part numbers diagrams**
**Table 3. Part number fields descriptions**

Field	Description	Values
Q	Qualification status	<ul style="list-style-type: none"> <li>• M = Fully qualified, general market flow, 3000 pieces reels</li> <li>• P = Prequalification</li> <li>• K = Fully qualified, general market flow, 100 pieces reels</li> </ul>
KL##	Kinetis family	<ul style="list-style-type: none"> <li>• KL02</li> <li>• KL04</li> <li>• KL05</li> </ul>
A	Key attribute	<ul style="list-style-type: none"> <li>• Z = Cortex-M0+</li> </ul>
FFF	Program flash memory size	<ul style="list-style-type: none"> <li>• 8 = 8 KB</li> <li>• 16 = 16 KB</li> <li>• 32 = 32 KB</li> </ul>
R	Silicon revision	<ul style="list-style-type: none"> <li>• (Blank) = Main</li> <li>• A = Revision after main</li> </ul>
T	Temperature range (°C)	<ul style="list-style-type: none"> <li>• C = -40 to 85</li> </ul>
PP	Package identifier	<ul style="list-style-type: none"> <li>• FG = 16 QFN (3 mm x 3 mm)</li> <li>• AF = 20 WLCSP (1.99 mm x 1.94 mm)</li> <li>• FK = 24 QFN (4 mm x 4 mm)</li> <li>• LC = 32 LQFP (7 mm x 7 mm)</li> <li>• FM = 32 QFN (5 mm x 5 mm)</li> <li>• LF = 48 LQFP (7 mm x 7 mm)</li> </ul>
CC	Maximum CPU frequency (MHz)	<ul style="list-style-type: none"> <li>• 4 = 48 MHz</li> </ul>
N	Packaging type	<ul style="list-style-type: none"> <li>• R = Tape and reel</li> <li>• (Blank) = Trays</li> </ul>

## 4.4 KL02/KL04/KL05 family features

The following sections list the differences among the various devices available within the KL02/KL04/KL05 family.

The features listed for each part number in the following subsection specify the maximum configuration available on that device. The signal multiplexing configuration determines which modules can be used simultaneously.

### 4.4.1 KL02 family features (48 MHz performance)

Table 4. KL02 48 MHz performance table

MC part number	MKL02Z8VFG4(R)	MKL02Z16VFG4(R)	MKL02Z32VFG4(R)	MKL02Z32CAF4R	KKL02Z32CAF4R	MKL02Z16VFK4(R)	MKL02Z32VFK4(R)	MKL02Z16VFM4(R)	MKL02Z32VFM4(R)
<b>General</b>									
CPU frequency	48 MHz	48 MHz	48 MHz	48 MHz	48 MHz	48 MHz	48 MHz	48 MHz	48 MHz
Pin count	16	16	16	20	20	24	24	32	32
Package	QFN	QFN	QFN	WLCSP	WLCSP	QFN	QFN	QFN	QFN
<b>Memories and memory interfaces</b>									
Flash	8 KB	16 KB	32 KB	32 KB	32 KB	16 KB	32 KB	16 KB	32 KB
SRAM	1 KB	2 KB	4 KB	4 KB	4 KB	2 KB	4 KB	2 KB	4 KB
Cache	32 B	32 B	32 B	32 B	32 B	32 B	32 B	32 B	32 B
<b>Core modules</b>									
Debug	SWD	SWD	SWD	SWD	SWD	SWD	SWD	SWD	SWD
Trace	MTB	MTB	MTB	MTB	MTB	MTB	MTB	MTB	MTB
NMI	YES	YES	YES	YES	YES	YES	YES	YES	YES
<b>System modules</b>									
Watchdog	YES	YES	YES	YES	YES	YES	YES	YES	YES
PMC	YES	YES	YES	YES	YES	YES	YES	YES	YES
DMA	-	-	-	-	-	-	-	-	-
BME (Bit Manipulation Engine)	YES	YES	YES	YES	YES	YES	YES	YES	YES
<b>Clock modules</b>									
MCG	FLL	FLL	FLL	FLL	FLL	FLL	FLL	FLL	FLL
OSC (32-40kHz/3-32MHz)	32-40 kHz	32-40 kHz	32-40 kHz	32-40 kHz	32-40 kHz	32-40 kHz	32-40 kHz	32-40 kHz	32-40 kHz
RTC	-	-	-	-	-	-	-	-	-
<b>Analog</b>									
Total SE channels SAR ADC (w temp sense)	12-bit, 1x6ch	12-bit, 1x6ch	12-bit, 1x6ch	12-bit, 1x10ch	12-bit, 1x10ch	12-bit, 1x12ch	12-bit, 1x12ch	12-bit, 1x14ch	12-bit, 1x14ch
DP channels	-	-	-	-	-	-	-	-	-
SE channels	6ch	6ch	6ch	10ch	10ch	12ch	12ch	14ch	14ch
12-bit DAC	-	-	-	-	-	-	-	-	-
Analog Comparator	1	1	1	1	1	1	1	1	1
Analog Comparator inputs	2	2	2	2	2	4	4	4	4
<b>Timers</b>									
General-purpose/PWM	1x2ch +1x2ch	1x2ch +1x2ch	1x2ch +1x2ch	1x2ch +1x2ch	1x2ch +1x2ch	1x2ch +1x2ch	1x2ch +1x2ch	1x2ch +1x2ch	1x2ch +1x2ch
Low-Power Timer	1	1	1	1	1	1	1	1	1

Table continues on the next page...

**Table 4. KL02 48 MHz performance table (continued)**

MC part number	MKL02Z8VFG4(R)	MKL02Z16VFG4(R)	MKL02Z32VFG4(R)	MKL02Z32CAF4R	KKL02Z32CAF4R	MKL02Z16VFK4(R)	MKL02Z32VFK4(R)	MKL02Z16VFM4(R)	MKL02Z32VFM4(R)
PIT (32bit)	-	-	-	-	-	-	-	-	-
<b>Communication interfaces</b>									
Low-power UART	1	1	1	1	1	1	1	1	1
UART	-	-	-	-	-	-	-	-	-
SPI chip selects per module	1/0	1/0	1/0	1/0	1/0	1/0	1/0	1/0	1/0
I2C	2	2	2	2	2	2	2	2	2
I2S	-	-	-	-	-	-	-	-	-
USB OTG LS/FS w/ on-chip xcvr	-	-	-	-	-	-	-	-	-
USB 120mAReg	-	-	-	-	-	-	-	-	-
<b>Human-machine interface</b>									
Segment LCD	-	-	-	-	-	-	-	-	-
TSI (capacitive touch)	-	-	-	-	-	-	-	-	-
Total GPIOs	14	14	14	18	18	22	22	28	28
GPIOs w/ interrupt	9	9	9	10	10	12	12	14	14
High-current GPIOs (18 mA)	2	2	2	2	2	2	2	4	4
<b>Operating characteristics</b>									
Voltage range	1.71– 3.6 V	1.71– 3.6 V	1.71– 3.6 V	1.71– 3.6 V	1.71– 3.6 V	1.71– 3.6 V	1.71– 3.6 V	1.71– 3.6 V	1.71– 3.6 V
Flash write V	1.71 V	1.71 V	1.71 V	1.71 V	1.71 V	1.71 V	1.71 V	1.71 V	1.71 V
Temp range	–40 to 105 °C	–40 to 105 °C	–40 to 105 °C	–40 to 85 °C	–40 to 85 °C	–40 to 105 °C	–40 to 105 °C	–40 to 105 °C	–40 to 105 °C

#### 4.4.2 KL04 family features (48 MHz performance)

**Table 5. KL04 48 MHz performance table**

MC Partnumber	MKL04Z8VFK4(R)	MKL04Z16VFK4(R)	MKL04Z32VFK4(R)	MKL04Z8VLC4(R)	MKL04Z16VLC4(R)	MKL04Z32VLC4(R)	MKL04Z8VFM4(R)	MKL04Z16VFM4(R)	MKL04Z32VFM4(R)	MKL04Z16VLF4(R)	MKL04Z32VLF4(R)
<b>General</b>											

Table continues on the next page...

**Table 5. KL04 48 MHz performance table (continued)**

MC Partnumber	MKL04Z8VFK4(R)	MKL04Z16VFK4(R)	MKL04Z32VFK4(R)	MKL04Z8VLC4(R)	MKL04Z16VLC4(R)	MKL04Z32VLC4(R)	MKL04Z8VFM4(R)	MKL04Z16VFM4(R)	MKL04Z32VFM4(R)	MKL04Z16VLF4(R)	MKL04Z32VLF4(R)
CPU frequency	48 MHz	48 MHz	48 MHz	48 MHz	48 MHz	48 MHz	48 MHz	48 MHz	48 MHz	48 MHz	48 MHz
Pin count	24	24	24	32	32	32	32	32	32	48	48
Package	QFN	QFN	QFN	LQFP	LQFP	LQFP	QFN	QFN	QFN	LQFP	LQFP
<b>Memories and Memory Interfaces</b>											
Flash	8 KB	16 KB	3 KB	8 KB	16 KB	32 KB	8 KB	16 KB	32 KB	16 KB	32 KB
SRAM	1 KB	2 KB	4 KB	1 KB	2 KB	4 KB	1 KB	2 KB	4 KB	2 KB	4 KB
Cache	64 B	64 B	64 B	64 B	64 B	64 B	64 B	64 B	64 B	64 B	64 B
<b>Core Modules</b>											
Debug	SWD	SWD	SWD	SWD	SWD	SWD	SWD	SWD	SWD	SWD	SWD
Trace	MTB	MTB	MTB	MTB	MTB	MTB	MTB	MTB	MTB	MTB	MTB
NMI	YES	YES	YES	YES	YES	YES	YES	YES	YES	YES	YES
<b>System Modules</b>											
Watchdog	YES	YES	YES	YES	YES	YES	YES	YES	YES	YES	YES
PMC	YES	YES	YES	YES	YES	YES	YES	YES	YES	YES	YES
DMA	4ch	4ch	4ch	4ch	4ch	4ch	4ch	4ch	4ch	4ch	4ch
BME (Bit Manipulation Engine)	YES	YES	YES	YES	YES	YES	YES	YES	YES	YES	YES
<b>Clock Modules</b>											
MCG	FLL	FLL	FLL	FLL	FLL	FLL	FLL	FLL	FLL	FLL	FLL
OSC (32-40kHz/3-32MHz)	YES	YES	YES	YES	YES	YES	YES	YES	YES	YES	YES
RTC	YES	YES	YES	YES	YES	YES	YES	YES	YES	YES	YES
<b>Analog</b>											
Total SE channels SAR ADC (w temp sense)	12-bit, 1x12ch	12-bit, 1x12ch	12-bit, 1x12ch	12-bit, 1x14ch	12-bit, 1x14ch	12-bit, 1x14ch	12-bit, 1x14ch	12-bit, 1x14ch	12-bit, 1x14ch	12-bit, 1x14ch	12-bit, 1x14ch
DP channels	-	-	-	-	-	-	-	-	-	-	-
SE channels	12ch	12ch	12ch	14ch	14ch	14ch	14ch	14ch	14ch	14ch	14ch
12-bit DAC	-	-	-	-	-	-	-	-	-	-	-
Analog Comparator	1	1	1	1	1	1	1	1	1	1	1
Analog Comparator inputs	4	4	4	4	4	4	4	4	4	4	4
<b>Timers</b>											
General-purpose/PWM	1x6ch +1x2ch	1x6ch +1x2ch	1x6ch +1x2ch	1x6ch +1x2ch	1x6ch +1x2ch	1x6ch +1x2ch	1x6ch +1x2ch	1x6ch +1x2ch	1x6ch +1x2ch	1x6ch +1x2ch	1x6ch +1x2ch
Low-Power Timer	1	1	1	1	1	1	1	1	1	1	1
PIT (32-bit)	1x2ch	1x2ch	1x2ch	1x2ch	1x2ch	1x2ch	1x2ch	1x2ch	1x2ch	1x2ch	1x2ch

Table continues on the next page...

**Table 5. KL04 48 MHz performance table (continued)**

MC Partnumber	MKL04Z8VFK4(R)	MKL04Z16VFK4(R)	MKL04Z32VFK4(R)	MKL04Z8VLC4(R)	MKL04Z16VLC4(R)	MKL04Z32VLC4(R)	MKL04Z8VFM4(R)	MKL04Z16VFM4(R)	MKL04Z32VFM4(R)	MKL04Z16VLF4(R)	MKL04Z32VLF4(R)
<b>Communication Interfaces</b>											
Low Power UART	1	1	1	1	1	1	1	1	1	1	1
UART	-	-	-	-	-	-	-	-	-	-	-
SPI chip selects per module	1/0	1/0	1/0	1/0	1/0	1/0	1/0	1/0	1/0	1/0	1/0
I2C	1	1	1	1	1	1	1	1	1	1	1
I2S	-	-	-	-	-	-	-	-	-	-	-
USB OTG LS/FS w/ on-chip xcvr	-	-	-	-	-	-	-	-	-	-	-
USB 120mAReg	-	-	-	-	-	-	-	-	-	-	-
<b>Human-Machine Interface</b>											
Segment LCD	-	-	-	-	-	-	-	-	-	-	-
TSI (capacitive touch)	-	-	-	-	-	-	-	-	-	-	-
Total GPIOs	22	22	22	28	28	28	28	28	28	41	41
GPIOs w/ interrupt	12	12	12	14	14	14	14	14	14	18	18
High-current GPIOs (18 mA)	2	2	2	4	4	4	4	4	4	4	4
<b>Operating Characteristics</b>											
Voltage range	1.71–3.6 V	1.71–3.6 V	1.71–3.6 V	1.71–3.6 V	1.71–3.6 V	1.71–3.6 V	1.71–3.6 V	1.71–3.6 V	1.71–3.6 V	1.71–3.6 V	1.71–3.6 V
Flash write V	1.71 V	1.71 V	1.71 V	1.71 V	1.71 V	1.71 V	1.71 V	1.71 V	1.71 V	1.71 V	1.71 V
Temp range	–40 to 105°C	–40 to 105°C	–40 to 105°C	–40 to 105°C	–40 to 105°C	–40 to 105°C	–40 to 105°C	–40 to 105°C	–40 to 105°C	–40 to 105°C	–40 to 105°C

### 4.4.3 KL05 family features (48 MHz performance)

**Table 6. KL05 48 MHz performance table**

MC part number	MKL05Z8VFK4(R)	MKL05Z16VFK4(R)	MKL05Z32VFK4(R)	MKL05Z8VLC4(R)	MKL05Z16VLC4(R)	MKL05Z32VLC4(R)	MKL05Z8VFM4(R)	MKL05Z16VFM4(R)	MKL05Z32VFM4(R)	MKL05Z16VLF4(R)	MKL05Z32VLF4(R)
<b>General</b>											

Table continues on the next page...

**Table 6. KL05 48 MHz performance table (continued)**

MC part number	MKL05Z8VFK4(R)	MKL05Z16VFK4(R)	MKL05Z32VFK4(R)	MKL05Z8VLC4(R)	MKL05Z16VLC4(R)	MKL05Z32VLC4(R)	MKL05Z8VFM4(R)	MKL05Z16VFM4(R)	MKL05Z32VFM4(R)	MKL05Z16VLF4(R)	MKL05Z32VLF4(R)
CPU frequency	48 MHz	48 MHz	48 MHz	48 MHz	48 MHz	48 MHz	48 MHz	48 MHz	48 MHz	48 MHz	48 MHz
Pin count	24	24	24	32	32	32	32	32	32	48	48
Package	QFN	QFN	QFN	LQFP	LQFP	LQFP	QFN	QFN	QFN	LQFP	LQFP
<b>Memories and memory interfaces</b>											
Flash	8 KB	16 KB	32 KB	8 KB	16 KB	32 KB	8 KB	16 KB	32 KB	16 KB	32 KB
SRAM	1 KB	2 KB	4 KB	1 KB	2 KB	4 KB	1 KB	2 KB	4 KB	2 KB	4 KB
Cache	64 B	64 B	64 B	64 B	64 B	64 B	64 B	64 B	64 B	64 B	64 B
<b>Core modules</b>											
Debug	SWD	SWD	SWD	SWD	SWD	SWD	SWD	SWD	SWD	SWD	SWD
Trace	MTB	MTB	MTB	MTB	MTB	MTB	MTB	MTB	MTB	MTB	MTB
NMI	YES	YES	YES	YES	YES	YES	YES	YES	YES	YES	YES
<b>System modules</b>											
Watchdog	YES	YES	YES	YES	YES	YES	YES	YES	YES	YES	YES
PMC	YES	YES	YES	YES	YES	YES	YES	YES	YES	YES	YES
DMA	4ch	4ch	4ch	4ch	4ch	4ch	4ch	4ch	4ch	4ch	4ch
BME (Bit Manipulation Engine)	YES	YES	YES	YES	YES	YES	YES	YES	YES	YES	YES
<b>Clock Modules</b>											
MCG	FLL	FLL	FLL	FLL	FLL	FLL	FLL	FLL	FLL	FLL	FLL
OSC (32–40 kHz/3–32 MHz)	YES	YES	YES	YES	YES	YES	YES	YES	YES	YES	YES
RTC	YES	YES	YES	YES	YES	YES	YES	YES	YES	YES	YES
<b>Analog</b>											
Total SE channels SAR ADC (w temp sense)	12-bit, 1x12ch	12-bit, 1x12ch	12-bit, 1x12ch	12-bit, 1x14ch	12-bit, 1x14ch	12-bit, 1x14ch	12-bit, 1x14ch	12-bit, 1x14ch	12-bit, 1x14ch	12-bit, 1x14ch	12-bit, 1x14ch
DP channels	-	-	-	-	-	-	-	-	-	-	-
SE channels	12ch	12ch	12ch	14ch	14ch	14ch	14ch	14ch	14ch	14ch	14ch
12-bit DAC	1	1	1	1	1	1	1	1	1	1	1
Analog Comparator	1	1	1	1	1	1	1	1	1	1	1
Analog Comparator inputs	4	4	4	4	4	4	4	4	4	4	4
<b>Timers</b>											
General-purpose/PWM	1x6ch +1x2ch	1x6ch +1x2ch	1x6ch +1x2ch	1x6ch +1x2ch	1x6ch +1x2ch	1x6ch +1x2ch	1x6ch +1x2ch	1x6ch +1x2ch	1x6ch +1x2ch	1x6ch +1x2ch	1x6ch +1x2ch
Low Power Timer	1	1	1	1	1	1	1	1	1	1	1
PIT (32bit)	1x2ch	1x2ch	1x2ch	1x2ch	1x2ch	1x2ch	1x2ch	1x2ch	1x2ch	1x2ch	1x2ch

Table continues on the next page...

**Table 6. KL05 48 MHz performance table (continued)**

MC part number	MKL05Z8VFK4(R)	MKL05Z16VFK4(R)	MKL05Z32VFK4(R)	MKL05Z8VLC4(R)	MKL05Z16VLC4(R)	MKL05Z32VLC4(R)	MKL05Z8VFM4(R)	MKL05Z16VFM4(R)	MKL05Z32VFM4(R)	MKL05Z16VLF4(R)	MKL05Z32VLF4(R)
<b>Communication interfaces</b>											
Low-Power UART	1	1	1	1	1	1	1	1	1	1	1
UART	-	-	-	-	-	-	-	-	-	-	-
SPI chip selects per module	1/0	1/0	1/0	1/0	1/0	1/0	1/0	1/0	1/0	1/0	1/0
I2C	1	1	1	1	1	1	1	1	1	1	1
I2S	-	-	-	-	-	-	-	-	-	-	-
USB OTG LS/FS w/ on-chip xcvr	-	-	-	-	-	-	-	-	-	-	-
USB 120 mAReg	-	-	-	-	-	-	-	-	-	-	-
<b>Human-machine interface</b>											
Segment LCD	-	-	-	-	-	-	-	-	-	-	-
TSI (capacitive touch)	8ch	8ch	8ch	12ch	12ch	12ch	12ch	12ch	12ch	12ch	12ch
Total GPIOs	22	22	22	28	28	28	28	28	28	41	41
GPIOs w/ interrupt	12	12	12	14	14	14	14	14	14	18	18
High-current GPIOs (18 mA)	2	2	2	4	4	4	4	4	4	4	4
<b>Operating characteristics</b>											
Voltage range	1.71–3.6 V	1.71–3.6 V	1.71–3.6 V	1.71–3.6 V	1.71–3.6 V	1.71–3.6 V	1.71–3.6 V	1.71–3.6 V	1.71–3.6 V	1.71–3.6 V	1.71–3.6 V
Flash write V	1.71 V	1.71 V	1.71 V	1.71 V	1.71 V	1.71 V	1.71 V	1.71 V	1.71 V	1.71 V	1.71 V
Temp range	–40 to 105°C	–40 to 105°C	–40 to 105°C	–40 to 105°C	–40 to 105°C	–40 to 105°C	–40 to 105°C	–40 to 105°C	–40 to 105°C	–40 to 105°C	–40 to 105°C

## 4.5 Module-by-module feature list

The following sections describe the high-level module features for the family's superset device. See [KL02/KL04/KL05 family features](#) for differences among the subset devices.

### 4.5.1 Core modules

#### 4.5.1.1 ARM Cortex M0+ core

- Up to 48 MHz core frequency from 1.71 V to 3.6 V across temperature range of –40 °C to 105 °C
- Support up to 32 interrupt request sources
- 2-stage pipeline microarchitecture for reduced power consumption and improved architectural performance (cycles per instruction)

## System modules

- Binary compatible instruction set architecture with the CM0 core
- Thumb instruction set combines high code density with 32-bit performance.
- Serial wire debug (SWD) reduces the number of pins required for debugging.
- Micro trace buffer (MTB) provides lightweight program trace capabilities using system RAM as the destination memory.
- Single cycle 32 bits by 32 bits multiply

### 4.5.1.2 Nested Vectored Interrupt Controller (NVIC)

- Up to 32 interrupt sources
- Includes a single nonmaskable interrupt

### 4.5.1.3 Wake-Up Interrupt Controller (WIC)

- Supports interrupt handling when system clocking is disabled in low power modes
- Takes over and emulates the NVIC behavior when correctly primed by the NVIC on entry to Very-Deep-Sleep mode
- A rudimentary interrupt masking system with no prioritization logic signals for wake-up as soon as a nonmasked interrupt is detected.
- Contains no programmer's model visible state and is therefore invisible to end users of the device other than through the benefits of reduced power consumption while sleeping

### 4.5.1.4 Debug Controller

- 2-pin serial wire debug (SWD) provides external debugger interface
- Micro trace buffer (MTB) provides simple execution trace capability and operates as a simple AHB-Lite SRAM controller.

## 4.5.2 System modules

### 4.5.2.1 Power Management Control Unit (PMC)

- Separate digital (regulated) and analog (referenced to digital) supply outputs
- Programmable power saving modes
- No output supply decoupling capacitors required
- Available wake-up from power saving modes via RTC and external inputs
- Integrated Power-on Reset (POR)
- Integrated Low Voltage Detect (LVD) with reset (brownout) capability
- Selectable LVD trip points
- Programmable Low Voltage Warning (LVW) interrupt capability
- Buffered bandgap reference voltage output
- Factory programmed trim for bandgap and LVD
- 1 kHz Low-Power Oscillator (LPO)

### 4.5.2.2 DMA Channel Multiplexer (DMA MUX)

- Four independently selectable DMA channel routers
- Two periodic trigger sources available
- Each channel router can be assigned to 1 of 63 possible peripheral DMA sources.

### 4.5.2.3 DMA Controller

Four independently programmable DMA controller channels provide the means to directly transfer data between system memory and I/O peripherals.

- DMA controller is capable of functioning in Run, Wait, and Stop modes of operation.
- Dual-address transfers via 32-bit master connection to the system bus
- Data transfer in 8-, 16-, or 32-bit blocks
- Continuous-mode or cycle-steal transfers from software or peripheral initiation

### 4.5.2.4 COP Watchdog module

- Independent clock source input (independent from CPU/bus clock)
- Choice between two clock sources
  - LPO oscillator
  - Bus clock

### 4.5.2.5 System clocks

- System Oscillator (XOSC)—Loop-control pierce oscillator; crystal or ceramic resonator range of 32 kHz to 40 kHz (low range mode) or 3-32 MHz (high range mode)
- Multipurpose Clock Generator (MCG)
  - Frequency-locked loop (FLL) controlled by internal or external reference
    - 20~40 MHz FLL output
    - 40~48 MHz FLL output
  - Internal reference clocks—Can be used as a clock source for other on-chip peripherals
    - On-chip RC oscillator range of 31.25 kHz to 39.0625 kHz with 0.2% trim step and 1% accuracy across temperature range of 0 °C to 70 °C and 2% accuracy across full temperature range
    - On-chip RC oscillator range of 31.25 kHz to 39.0625 kHz with 0.2% trim step and 1% accuracy across full temperature range
    - Ultra low-power 4 MHz IRC

## 4.5.3 Memories and memory interfaces

### 4.5.3.1 On-chip memory

- 48 MHz performance devices
  - Up to 32 KB program flash memory
  - Up to 4 KB SRAM
- Security circuitry to prevent unauthorized access to RAM and flash memory contents

## 4.5.4 Analog

### 4.5.4.1 Analog-to-Digital Converter (ADC)

- Linear successive approximation algorithm with up to 16-bit resolution
- Output modes:
  - Single-ended 12-bit, 10-bit, and 8-bit modes, in right-aligned unsigned format
- Single or continuous conversion
- Configurable sample time and conversion speed/power
- Conversion complete and hardware average complete flag and interrupt

- Input clock selectable from up to four sources
- Operation in low-power modes for lower noise operation
- Asynchronous clock source for lower noise operation with option to output the clock
- Selectable asynchronous hardware conversion trigger with hardware channel select
- Automatic compare with interrupt for various programmable values
- Temperature sensor
- Hardware average function
- Selectable voltage reference
- Self-calibration mode

#### 4.5.4.2 High-Speed Analog Comparator (CMP)

- 6-bit DAC programmable reference generator output
- Up to five selectable comparator inputs; each input can be compared with any input by any polarity sequence
- Selectable interrupt on rising-edge, falling-edge, or either rising or falling edges of the comparator output
- Comparator output supports:
  - Sampled
  - Windowed (ideal for certain PWM zero-crossing-detection applications)
  - Digitally filtered using external sample signal or scaled peripheral clock
- Two performance modes:
  - Shorter propagation delay at the expense of higher power
  - Low power, with longer propagation delay
- Operational in all MCU power modes except for VLLS0

#### 4.5.4.3 12-bit Digital-to-Analog Converter (DAC)

- 12-bit resolution
- Guaranteed 6-sigma monotonicity over input word
- High- and low-speed conversions
  - 1  $\mu$ s conversion rate for high speed, 2  $\mu$ s for low speed
- Power-down mode
- Automatic mode allows the DAC to generate its own output waveforms including square, triangle, and sawtooth.
- Automatic mode allows programmable period, update rate, and range.
- DMA support

### 4.5.5 Timers

#### 4.5.5.1 Timer/PWM (TPM)

- Selectable source clock
- Programmable prescaler
- 16-bit counter supporting free-running or initial/final value, and counting is up or up-down
- Input capture, output compare, and edge-aligned and center-aligned PWM modes
- Input capture and output compare modes
- Generation of hardware triggers
- DMA support for TPM events

#### 4.5.5.2 Periodic Interrupt Timers (PITs)

- Two general-purpose interrupt timers
- Two interrupt timers for triggering ADC conversions
- 32-bit counter resolution

- Clocked by bus clock frequency
- DMA support

### 4.5.5.3 Real-Time Clock (RTC)

- 32-bit seconds counter with 32-bit alarm
- 16-bit prescaler with compensation
- Register write protection
- Hard Lock requires MCU POR to enable write access

## 4.5.6 Communication interfaces

### 4.5.6.1 Inter-Integrated Circuit (I<sup>2</sup>C)

- Compatible with I<sup>2</sup>C bus standard and *SMBus Specification Version 2* features
- Up to 400 kbit/s with maximum bus loading
- Multimaster operation
- Software programmable for one of 64 different serial clock frequencies
- Programmable slave address and glitch input filter
- Interrupt or DMA driven byte-by-byte data transfer
- Arbitration lost interrupt with automatic mode switching from master to slave
- Calling address identification interrupt
- Bus busy detection broadcast and 10-bit address extension
- Address matching causes wake-up when the processor is in low-power mode.

### 4.5.6.2 UART0

- Full-duplex operation
- Standard mark/space non-return-to-zero (NRZ) format
- 13-bit baud rate selection with fractional divide of 32
- Programmable 8-bit or 9-bit data format
- Separately enabled transmitter and receiver
- Programmable transmitter output polarity
- Programmable receive input polarity
- 13-bit break character option
- 11-bit break character detection option
- Two receiver wake-up methods:
  - Idle line wake-up
  - Address mark wake-up
- Address match feature in receiver to reduce address mark wake-up ISR overhead
- Interrupt or DMA driven operation
- Receiver framing error detection
- Hardware parity generation and checking
- Configurable oversampling ratio to support from 1/4 to 1/32 bit-time noise detection
- Operation in low-power modes

### 4.5.6.3 Serial Peripheral Interface (SPI)

- Master and slave mode
- Full-duplex, three-wire synchronous transfers
- Programmable transmit bit rate
- Double-buffered transmit and receive data registers
- Serial clock phase and polarity options

## human-machine interface

- Slave select output
- Mode fault error flag with CPU interrupt capability
- Control of SPI operation during wait mode
- Selectable MSB-first or LSB-first shifting
- Support for both transmit and receive by DMA

## 4.5.7 Human-machine interface

### 4.5.7.1 General-Purpose Input/Output (GPIO)

- Hysteresis and configurable pullup device on all input pins
- Configurable drive strength on some output pins
- Independent pin value register to read logic level on digital pin

### 4.5.7.2 Touch Sensor Input (TSI)

- Supports up to 16 external electrodes
- Automatic detection of electrode capacitance across all operational power modes
- Internal reference oscillator for high-accuracy measurement
- Configurable software or hardware scan trigger
- Fully supports Freescale touch sensing software (TSS) library
- Capability to wake the MCU from low-power modes
- Compensate for temperature and supply voltage variations
- High sensitivity change with 16-bit resolution register
- Configurable up to 4096 scan times.
- Support DMA data transfer

## 5 Power modes

The Power Management Controller (PMC) provides multiple power options to allow the user to optimize power consumption for the level of functionality needed.

Depending on the stop requirements of the user application, a variety of stop modes are available that provide state retention, partial power-down or full power-down of certain logic and/or memory. I/O states are held in all modes of operation. The following table compares the various power modes available.

For each run mode, there is a corresponding Wait and Stop mode. Wait modes are similar to ARM Sleep modes. Stop modes (VLPS, STOP) are similar to ARM Sleep Deep mode. The Very Low Power Run (VLPR) operating mode can drastically reduce runtime power when the maximum bus frequency is not required to handle the application needs.

The three primary modes of operation are Run, Wait, and Stop. The WFI instruction invokes both Wait and Stop modes for the chip. The primary modes are augmented in a number of ways to provide lower power based on application needs.

### NOTE

KL02 does not support LLWU, RTC or TSI.

**Table 7. Chip power modes**

Chip mode	Description	Core mode	Normal recovery method
Normal Run	Allows maximum performance of chip.	Run	—

*Table continues on the next page...*

**Table 7. Chip power modes (continued)**

Chip mode	Description	Core mode	Normal recovery method
	<ul style="list-style-type: none"> <li>• Default mode out of reset</li> <li>• On-chip voltage regulator is on.</li> </ul>		
Normal Wait - via WFI	Allows peripherals to function while the core is in Sleep mode, reducing power. <ul style="list-style-type: none"> <li>• NVIC remains sensitive to interrupts</li> <li>• Peripherals continue to be clocked.</li> </ul>	Sleep	Interrupt
Normal Stop - via WFI	Places chip in static state. Lowest power mode that retains all registers while maintaining LVD protection. <ul style="list-style-type: none"> <li>• NVIC is disabled.</li> <li>• AWIC is used to wake up from interrupt.</li> <li>• Peripheral clocks are stopped.</li> </ul>	Sleep Deep	Interrupt
VLPR (Very Low-Power Run)	On-chip voltage regulator is in a low-power mode that supplies only enough power to run the chip at a reduced frequency. Only MCG modes BLPI and BLPE can be used in VLPR. <ul style="list-style-type: none"> <li>• Reduced frequency Flash access mode (1 MHz)</li> <li>• LVD off</li> <li>• In BLPI clock mode, only the fast internal reference oscillator is available to provide a low power nominal 4 MHz source for the core with the nominal bus and flash clock required to be &lt;800 kHz</li> <li>• Alternatively, BLPE clock mode can be used with an external clock or the crystal oscillator providing the clock source.</li> </ul>	Run	—
VLPW (Very Low-Power Wait) -via WFI	Same as VLPR but with the core in Sleep mode to further reduce power. <ul style="list-style-type: none"> <li>• NVIC remains sensitive to interrupts (FCLK = ON).</li> <li>• On-chip voltage regulator is in a low-power mode that supplies only enough power to run the chip at a reduced frequency.</li> </ul>	Sleep	Interrupt
VLPS (Very Low-Power Stop)-via WFI	Places chip in static state with LVD operation off. Lowest power mode with ADC and pin interrupts functional. <ul style="list-style-type: none"> <li>• Peripheral clocks are stopped, but OSC, LPTMR, RTC, CMP, TSI can be used.</li> <li>• TPM and UART can optionally be enabled if their clock source is enabled.</li> <li>• NVIC is disabled (FCLK = OFF); AWIC is used to wake up from interrupt.</li> <li>• On-chip voltage regulator is in a low-power mode that supplies only enough power to run the chip at a reduced frequency.</li> <li>• All SRAM is operating (content retained and I/O states held).</li> </ul>	Sleep Deep	Interrupt
LLS <sup>1</sup> (Low-Leakage Stop)	State retention power mode <ul style="list-style-type: none"> <li>• Most peripherals are in state retention mode (with clocks stopped), but OSC, LLWU, LPTMR, RTC, CMP, TSI can be used.</li> <li>• NVIC is disabled; LLWU is used to wake up.</li> </ul> <p style="text-align: center;"><b>NOTE:</b> The LLWU interrupt must not be masked by the interrupt controller to avoid a scenario where the system does not fully exit stop mode on an LLS recovery</p> <ul style="list-style-type: none"> <li>• All SRAM is operating (content retained and I/O states held).</li> </ul>	Sleep Deep	Wake-up Interrupt <sup>2</sup>
VLLS3 (Very Low-Leakage Stop3)	<ul style="list-style-type: none"> <li>• Most peripherals are disabled (with clocks stopped), but OSC, LLWU, LPTMR, RTC, CMP, TSI can be used.</li> </ul>	Sleep Deep	Wake-up Reset <sup>3</sup>

Table continues on the next page...

**Table 7. Chip power modes (continued)**

Chip mode	Description	Core mode	Normal recovery method
	<ul style="list-style-type: none"> <li>• NVIC is disabled; LLWU is used to wake up.</li> <li>• SRAM_U and SRAM_L remain powered on (content retained and I/O states held).</li> </ul>		
VLLS1 (Very Low-Leakage Stop1)	<ul style="list-style-type: none"> <li>• Most peripherals are disabled (with clocks stopped), but OSC, LLWU, LPTMR, RTC, CMP, TSI can be used.</li> <li>• NVIC is disabled; LLWU is used to wake up.</li> <li>• All of SRAM_U and SRAM_L are powered off.</li> </ul>	Sleep Deep	Wake-up Reset <sup>3</sup>
VLLS0 (Very Low-Leakage Stop 0)	<ul style="list-style-type: none"> <li>• Most peripherals are disabled (with clocks stopped), but LLWU, LPTMR, RTC, TSI can be used.</li> <li>• NVIC is disabled; LLWU is used to wake up.</li> <li>• All of SRAM_U and SRAM_L are powered off.</li> <li>• LPO disabled, optional POR brown-out detection</li> </ul>	Sleep Deep	Wake-up Reset <sup>3</sup>

1. KL02 does not support LLS mode.
2. Resumes Normal Run mode operation by executing the LLWU interrupt service routine.
3. Follows the reset flow with the LLWU interrupt flag set for the NVIC.

## 6 Revision history

The following table provides a revision history for this document.

**Table 8. Revision history**

Rev. No.	Date	Substantial changes
1	3/16/2012	Initial publish
2	6/4/2012	<ul style="list-style-type: none"> <li>Updated Kinetis KL series of MCU portfolio diagram.</li> <li>Updated KL04 family block diagram.</li> <li>Updated ADC feature for KL04.</li> <li>Updated KL0x family summary table.</li> </ul>
3	10/8/2012	Added KL02 family.
3.1	10/22/2012	Updated the feature in the section of Inter-Integrated Circuit (I2C) to "Up to 400 kbit/s with maximum bus loading".
3.2	5/28/2013	Added WLCSP package for KL02.
3.3	7/1/2013	<ul style="list-style-type: none"> <li>• Added KKL02Z32CAF4R.</li> <li>• Clarified KL02 has no LLWU.</li> </ul>

**How to Reach Us:**

**Home Page:**

[freescale.com](http://freescale.com)

**Web Support:**

[freescale.com/support](http://freescale.com/support)

Information in this document is provided solely to enable system and software implementers to use Freescale products. There are no express or implied copyright licenses granted hereunder to design or fabricate any integrated circuits based on the information in this document. Freescale reserves the right to make changes without further notice to any products herein.

Freescale makes no warranty, representation, or guarantee regarding the suitability of its products for any particular purpose, nor does Freescale assume any liability arising out of the application or use of any product or circuit, and specifically disclaims any and all liability, including without limitation consequential or incidental damages. "Typical" parameters that may be provided in Freescale data sheets and/or specifications can and do vary in different applications, and actual performance may vary over time. All operating parameters, including "typicals," must be validated for each customer application by customer's technical experts. Freescale does not convey any license under its patent rights nor the rights of others. Freescale sells products pursuant to standard terms and conditions of sale, which can be found at the following address: [freescale.com/SalesTermsandConditions](http://freescale.com/SalesTermsandConditions).

Freescale, the Freescale logo, Energy Efficient Solutions logo, and Kinetis are trademarks of Freescale Semiconductor, Inc., Reg. U.S. Pat. & Tm. Off. All other product or service names are the property of their respective owners. ARM and Cortex-M0+ are the registered trademarks of ARM Limited.

©2012-2013 Freescale Semiconductor, Inc.

## Looking for pricing, stock, or lifecycle information?

Click below to explore more details on WIN SOURCE:

- ⊖ [View MKL02Z32VFM4 on WIN SOURCE](#)
- ⊖ [NXP / Nexperia Information](#)

## Optimize Your Supply Chain with WIN SOURCE Solutions

- ✓ Global Sourcing Solution
- ✓ Obsolete Management
- ✓ Cost Control Management
- ✓ Shortage Management
- ✓ Alternative Solution
- ✓ Excess Inventory Management