



**THE DATASHEET OF  
SMI-1324-TW-5V-2-R**



## SPECIFICATIONS

PARAMETERS	VALUES	UNITS
RATED VOLTAGE	5	Vdc
OPERATING VOLTAGE RANGE	4 ~ 7	Vdc
RATED CURRENT (MAX)	30	mA
MINIMUM SPL @ 10 CM	88	dBA
RESONANT FREQUENCY	2,400 ± 400	Hz
TONE OR PULSE RATE	CONTINUOUS	0 pulse /sec
OPERATING TEMPERATURE	-40 ~ +85	°C
STORAGE TEMPERATURE	-40 ~ +85	°C
HOUSING MATERIAL	PPS	-
TERMINAL MATERIAL	Sn PLATED BRASS	-
WEIGHT	2	grams

THIS DOCUMENT CONTAINS DATA PROPRIETARY TO PROJECTS UNLIMITED, INC. ANY USE OR REPRODUCTION, IN ANY FORM, WITHOUT PRIOR WRITTEN PERMISSION OF PROJECTS UNLIMITED, INC. IS PROHIBITED.  
©2003, Projects Unlimited Inc.

LTR	DESCRIPTION	REVISION HISTO
-	RELEASED FROM ENGINEERING	
A	REVISED TERMINAL MATERIAL	
B	REMOVED LEAD FREE ADDED RoHS NO	
C	ADDED NOTE 4	
D	REVISED TERMINAL MATERIAL	
E	REVISED TEMPERATURES ADD DATE C	
F	REVISED LAYOUT ADDED SIDE DIMENS	
G	REVISED TO INVENTOR 3-D DRAWING TEI	

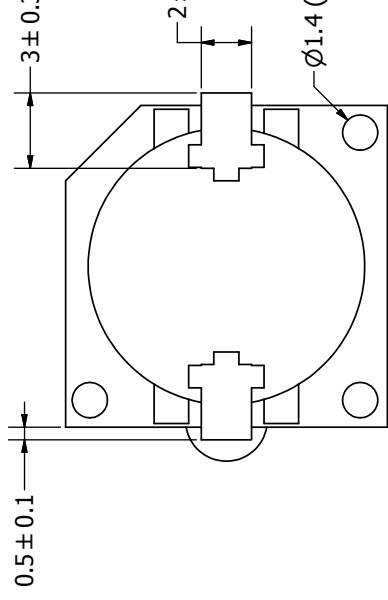
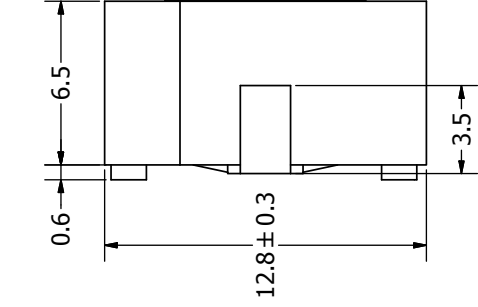
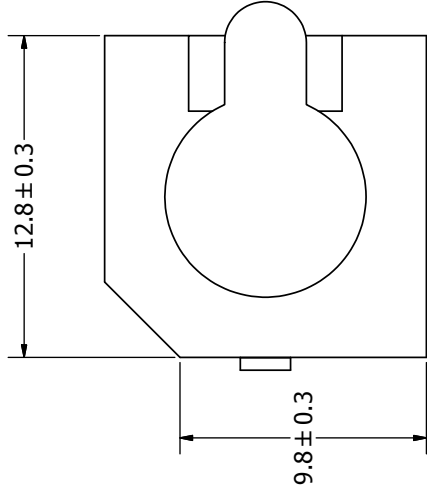
A ( 4 : 1 )

SMI-1324-TW  
-5V-2-R ⊕ 7G  
PUI, China

SILK SCREEN MARKING  
COLOR: SILVER


DATE CODE  
MARKING

YEAR:7 =2007 MONTH:G=JULY



### NOTES:

1. ALL DIMENSIONS ARE IN MILLIMETERS.
2. SPECIFICATIONS SUBJECT TO CHANGE OR WITHDRAWAL WITHOUT NOTICE.
3. THIS PART IS RoHS 2002/95/EC COMPLIANT.
4. MAXIMUM REFOLW TEMPERATURE IS 260° C.

UNLESS OTHERWISE SPECIFIED: DIMENSIONS ARE IN MILLIMETERS, TOLERANCES ARE ±0.5 AND ANGLES ARE ±3°.	SIZE	Designed by	Date	Checked by	Date
	A3	R.A.C.	8/2/2004		
SMI-1324-TW-5V-2-R.idw				SMI	

4

## Looking for pricing, stock, or lifecycle information?

Click below to explore more details on WIN SOURCE:

 [View SMI-1324-TW-5V-2-R on WIN SOURCE](#)

 [PUI Audio, Inc. Information](#)

## Optimize Your Supply Chain with WIN SOURCE Solutions

-  Global Sourcing Solution
-  Obsolete Management
-  Cost Control Management
-  Shortage Management
-  Alternative Solution
-  Excess Inventory Management