



THE DATASHEET OF
5-1814832-1

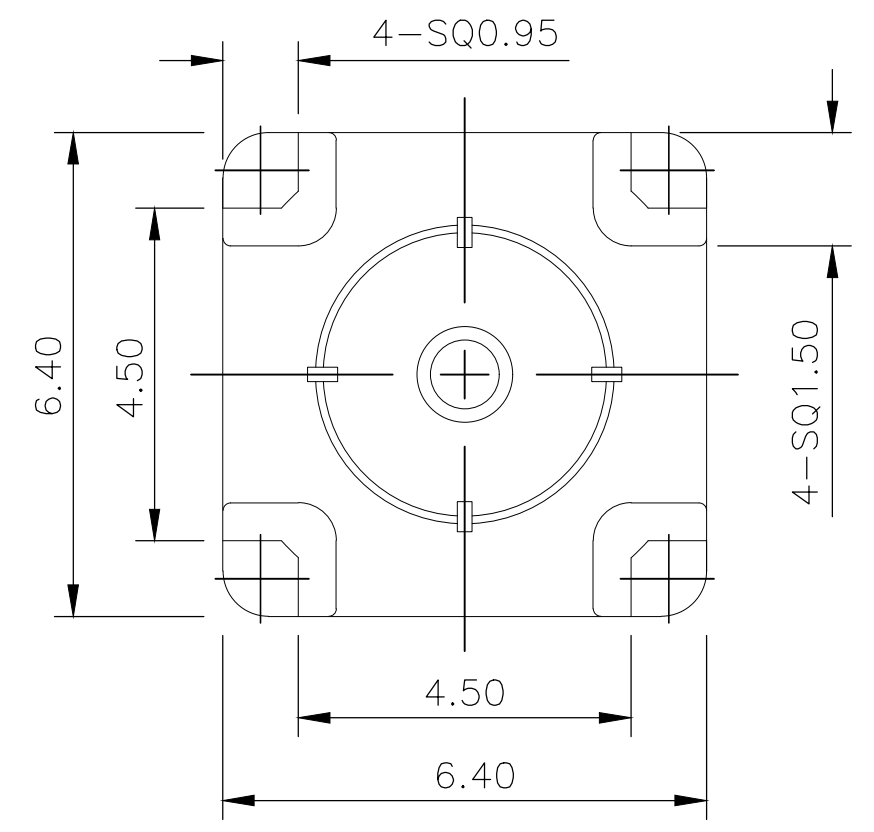
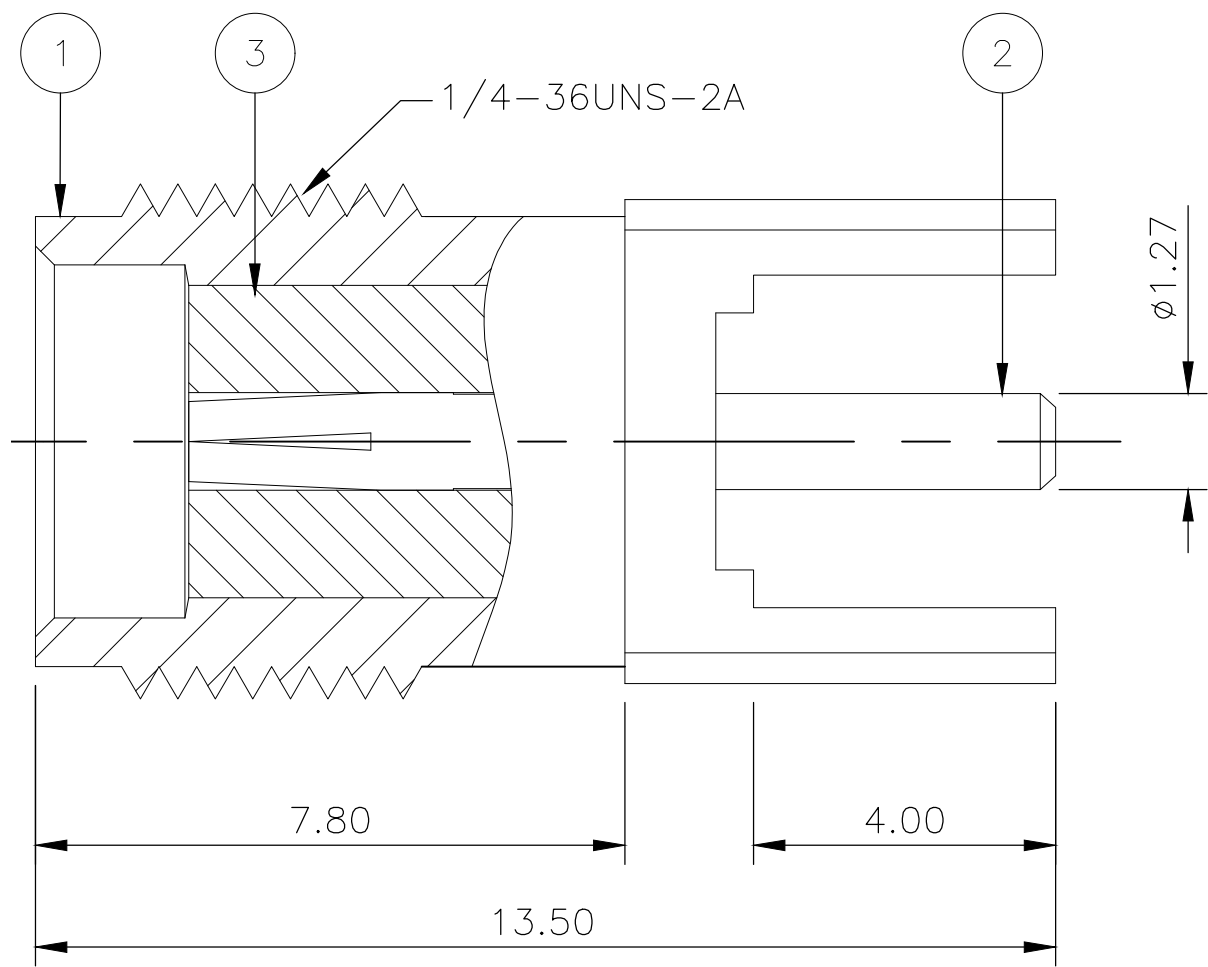
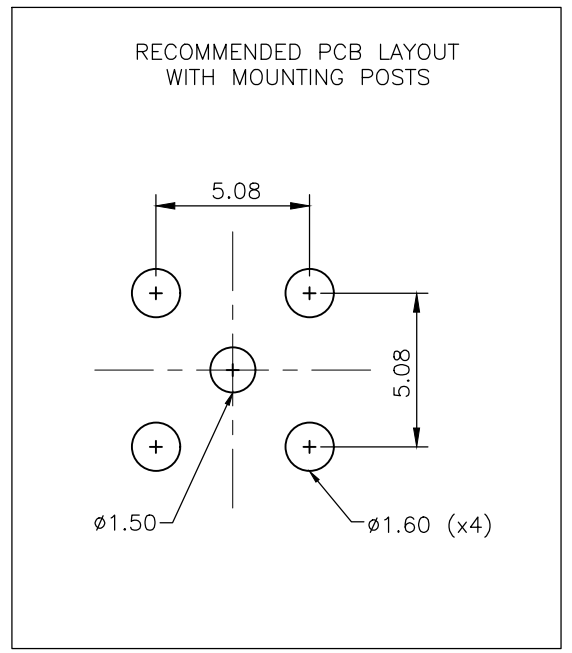


THIS DRAWING IS UNPUBLISHED. RELEASED FOR PUBLICATION JULY, 2006.
 © COPYRIGHT 2006 By - ALL RIGHTS RESERVED.

| REVISIONS | | | | |
|-----------|-----|---------------------------|-----------|-------|
| P | LTR | DESCRIPTION | DATE | APVD |
| | C | REVISED PER ECR-19-016112 | 05NOV2019 | ED RS |

NOTES

- 1 SINGLE PACK IN ACCORDANCE WITH AMP SPEC 107-3275
- 2 100 TRAY PACK IN ACCORDANCE WITH AMP SPEC 107-3275
- 3 Au PLATING
- 4 TAPE AND REEL PACKAGING, 350/REEL X 4 = 1400 PER BOX, DETAIL PARKAGING INFORMATION IS IN PAGE 2



| ELECTRICAL | MECHANICAL | ENVIRONMENTAL |
|---|---|--|
| Impedance (Ohm) <u>50</u> | Interface Dimension MIL-STD-348B Fig. <u>310-2</u> | TEMPERATURE RANGE <u>-65°C TO + 165°C</u> |
| Frequency Range (GHz) <u>DC to 6GHz</u> | Recommended Coupling Torque <u>7 to 10 In-Lbs</u> | THERMAL SHOCK <u>MIL-STD-202, METH.107, COND.B</u> |
| Voltage Rating (Peak) <u>335 V RMS</u> @ Sea Level | Force to Engage and Disengage (In/lbs) <u>2.0 MAX</u> | CORROSION <u>MIL-STD-202, METH.101, COND.B</u> |
| Insulation Resistance (MIN.) <u>1000 M ohms</u> | Center Contact Captivation Axial (Lbs) <u>3.0</u> Radial (In/Oz) <u>N/A</u> | VIBRATION <u>MIL-STD-202, METH.204, COND.B</u> |
| Contact Resistance (Milliohms MAX) Center Contact <u>3.0</u> Outer Contact <u>2.0</u> | Cable Retention Axial (Lbs) <u>N/A</u> | SHOCK <u>MIL-STD-202, METH.213, COND.I</u> |
| Dielectric Withstand Voltage: <u>1000 V RMS Max</u> | Mating cycles <u>500</u> cycles | MOISTURE RESISTANCE <u>MIL-STD-202, METH.106,</u> |
| Insertion Loss : <u>N/A dB</u> | | ROHS <u>COMPLIANT</u> |
| VSWR: <u>1.3 MAX</u> | | |
| RF leakage: <u>N/A</u> | | |
| 3rd Intermodulation: <u>N/A</u> | | |

| QUANTITY PER ASSY | | PARTS LIST | |
|-------------------|----|------------------|------------------|
| 1 | 1 | PTFE | INSULATOR 3 |
| 1 | 1 | BERYLLIUM COPPER | SOCKET 2 |
| 1 | 1 | ZINC ALLOY | BODY 1 |
| 5 | 25 | MATERIAL | DESCRIPTION ITEM |

THIS DRAWING IS A CONTROLLED DOCUMENT.

| | | |
|------------------|------------|--|
| DWN ANSON MA | 19FEB09 | TE Connectivity NAME SMA STRAIGHT PCB SOCKET DIE CAST SIZE A3 CAGE CODE 00779 DRAWING NO C-1814832 WEIGHT 0.000000 RESTRICTED TO - CUSTOMER DRAWING SCALE NTS SHEET 1 OF 2 REV C |
| CHK RITA ZUO | 19FEB09 | |
| APVD BOB ZHAO | 19FEB09 | |
| PRODUCT SPEC | 108-112000 | |
| APPLICATION SPEC | | |

THIS DRAWING IS UNPUBLISHED.

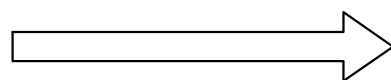
RELEASED FOR PUBLICATION , JULY 2006

REVISIONS

© COPYRIGHT 2006 By -

ALL RIGHTS RESERVED.

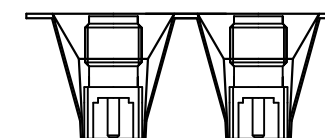
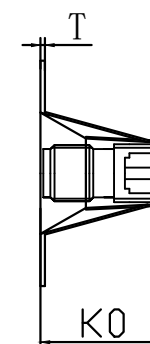
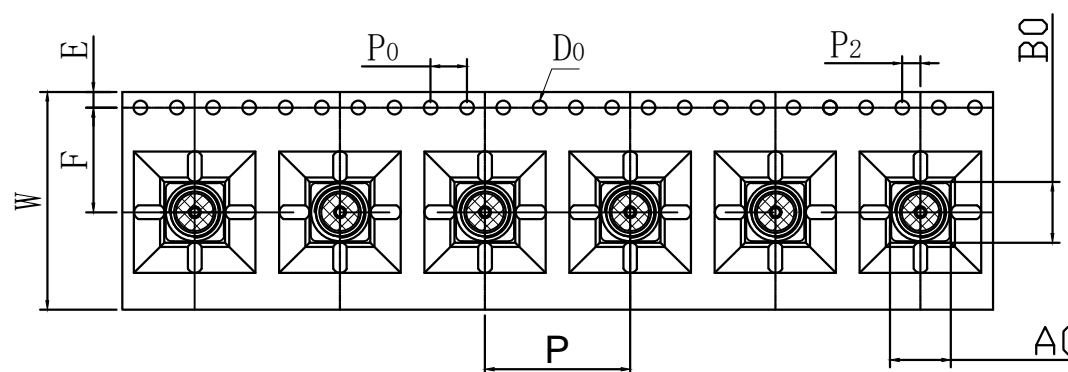
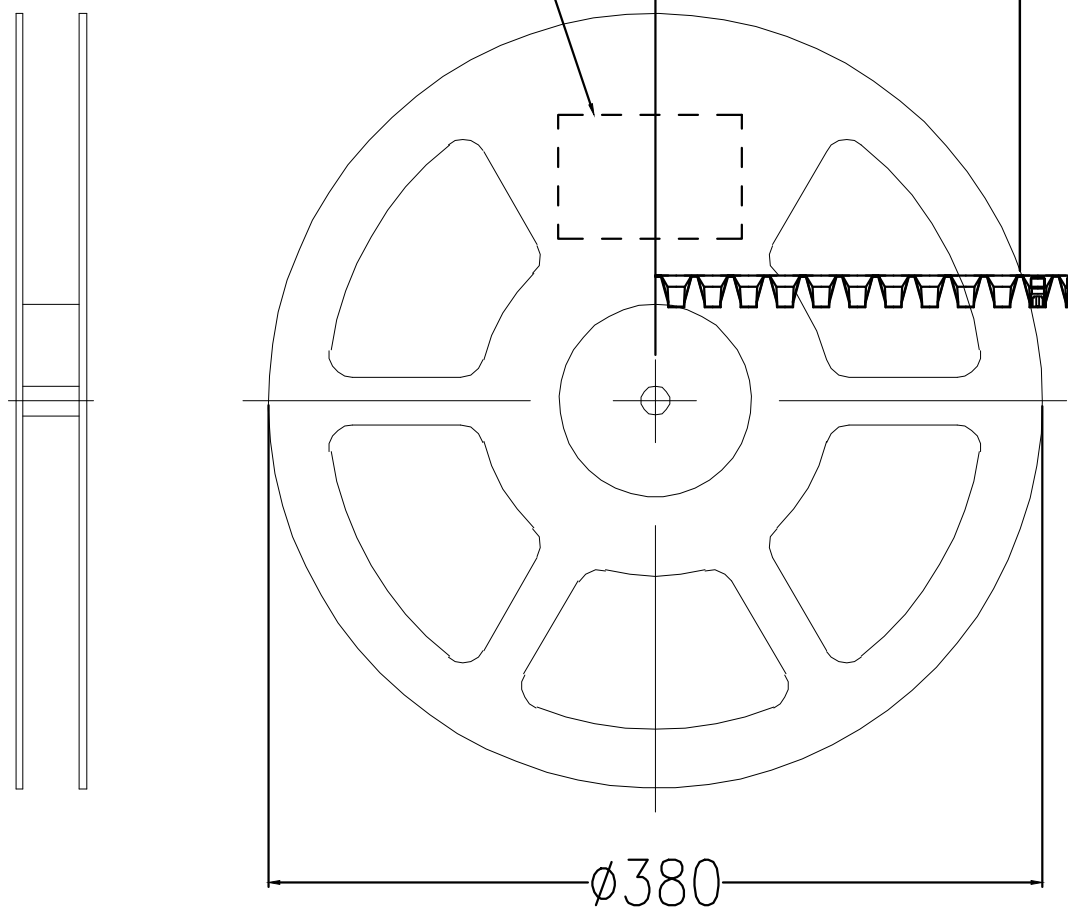
| P | LTR | DESCRIPTION | DATE | DWN | APVD |
|---|-----|-------------|------|-----|------|
| - | - | SEE SHEET 1 | - | - | - |



Direction of loading and discharging

LABEL

BLANK 10PLCS 350 PCS BLANK 10 PLCS



| | | | | | | |
|--------|-----------|--|------------|-----------|-----------|-----------|
| symbol | AO | BO | KO | PO | P | P2 |
| Spec | 6.70±0.10 | 6.70±0.10 | 13.80±0.10 | 4.00±0.10 | 16.0±0.10 | 2.00±0.10 |
| symbol | W | T | E | F | DO | |
| Spec | 24.0±0.30 | 0.50 ^{+0.05} _{-0.00} | 1.75±0.10 | 14.2±0.10 | 1.50±0.10 | |

THIS DRAWING IS A CONTROLLED DOCUMENT.

DWN ANSON MA 19FEB09

CHK RITA ZUO 19FEB09

APVD BOB ZHAO 19FEB09

PRODUCT SPEC

108-112000

APPLICATION SPEC

WEIGHT 0.000000

CUSTOMER DRAWING

STE TE Connectivity

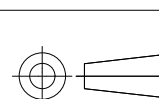
NAME SMA STRAIGHT PCB SOCKET DIE CAST

SIZE A3 CAGE CODE 00779 DRAWING NO C-1814832 RESTRICTED TO -

SCALE NTS SHEET 2 OF 2 REV C

DIMENSIONS:
mm

TOLERANCES UNLESS OTHERWISE SPECIFIED:



- 0 PLC ± -
- 1 PLC ± -
- 2 PLC ± 0.1
- 3 PLC ± -
- 4 PLC ± -
- ANGLES ± -
- FINISH -

MATERIAL

SEE TABLE

Looking for pricing, stock, or lifecycle information?

Click below to explore more details on WIN SOURCE:

 [View 5-1814832-1 on WIN SOURCE](#)

 [TE Connectivity](#) Information

Optimize Your Supply Chain with WIN SOURCE Solutions

-  Global Sourcing Solution
-  Obsolete Management
-  Cost Control Management
-  Shortage Management
-  Alternative Solution
-  Excess Inventory Management