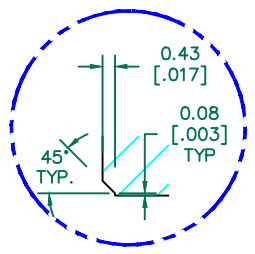
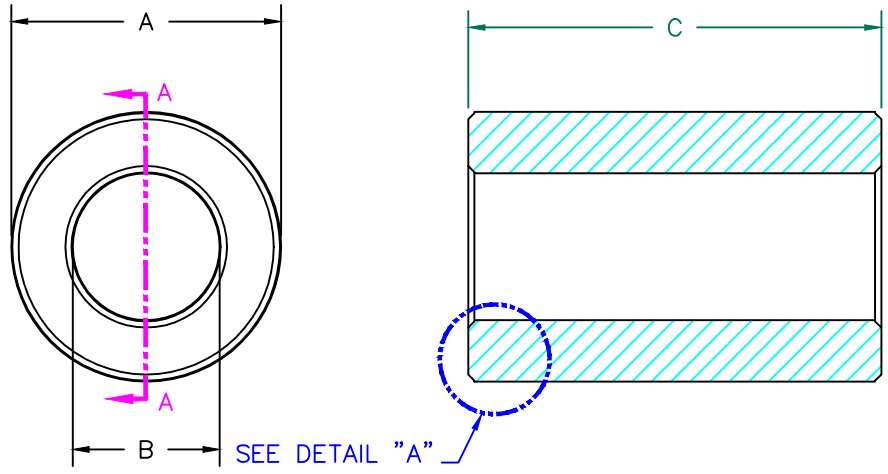




THE DATASHEET OF
28B0735-000

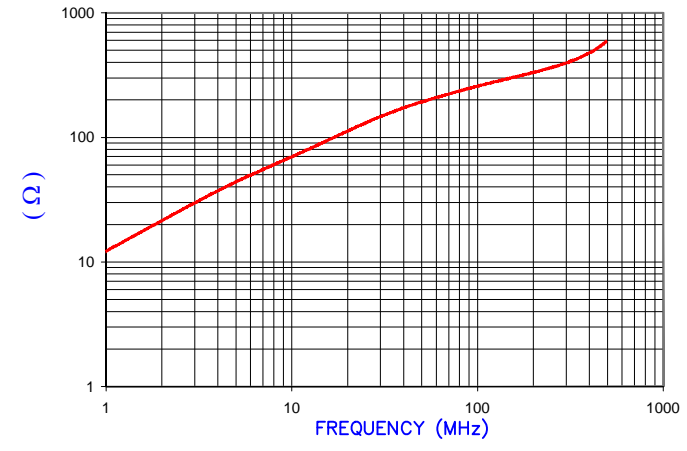




DETAIL "A"
CHAMFER
SCALE=4:1

IMPEDANCE (Z)			
Frequency	25 MHz	100 MHz	300 MHz
Nominal (REF)	135 Ω	250 Ω	400 Ω
Minimum	- Ω	200 Ω	- Ω

Z vs. FREQUENCY
(REF. ONLY)



AGILENT E4991A Impedance/Material Analyzer
HP 16092A Test Fixture

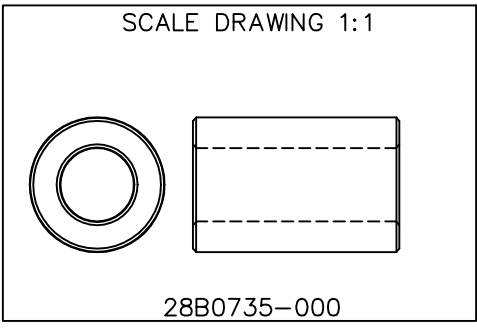
NOTES: UNLESS OTHERWISE SPECIFIED

- PARTS MUST BE TUMBLED, BURNISHED OR DEBURRED TO REMOVE ALL BURRS AND SHARP EDGES.
- COSMETIC SPECIFICATION REFER TO WI-QA-038.

FERRITE CORE DIMENSIONS (SPEC): mm/inches

A	18.67 [.735]	±	0.36 [.014]
B	10.16 [.400]	±	0.20 [.008]
C	28.58 [1.125]	±	0.76 [.030]

WEIGHT/1000 27.14 kgs [59.83Lbs]



DIMENSIONS ARE IN mm [INCHES].				This print is the property of Laird Tech. and is loaned in confidence subject to return upon request and with the understanding that no copies shall be made without the written consent of Laird Tech. All rights to design or invention are reserved.		Laird	
H	UPDATE THE LOGO	05/13/15	QIU	PROJECT/PART NUMBER: 28B0735-000	REV H	PART TYPE: FERRITE CNZ CORE	DRAWN BY: DJB
G	UPDATED TEMPLATE	11/02/10	Jcai				
F	UPDATE PRINT FORMAT CHANGE NOTE # 1, CHG TEST FIXTURE	05/22/03	JRK				
E	ADD NOTE #1, ADD kgs TO WEIGHT	05/01/02	JRK				
D	ADD Z CURVE, UPDATE ELECT SPEC REM COATING SPEC CHG PART # TO -000	04/11/02	JRK				
C	CHG P/N TO 28B0735-00* ADD COATING SPEC	03/19/99	I.S.	DATE: 07/03/90	SCALE: 2:1	MATERIAL: FERRITE	
B	UPDATED P/N FOR NEW CATALOG	09/25/95	JBE	CAD # 28B0735-000-H	TOOL # B0735		
A	ORIGINAL DRAFT	07/03/90	DJB				
REV	DESCRIPTION	DATE	INT				

Looking for pricing, stock, or lifecycle information?

Click below to explore more details on WIN SOURCE:

- ⊖ [View 28B0735-000 on WIN SOURCE](#)
- ⊖ [Laird-Signal Integrity Products Information](#)

Optimize Your Supply Chain with WIN SOURCE Solutions

- ✓ Global Sourcing Solution
- ✓ Obsolete Management
- ✓ Cost Control Management
- ✓ Shortage Management
- ✓ Alternative Solution
- ✓ Excess Inventory Management