

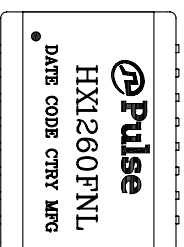


THE DATASHEET OF HX1260FNLT



) WITH FLAMMABILITY

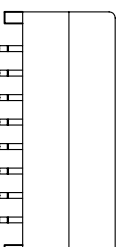
) +125°C



TY AT 245°C REFLOW PROFILE

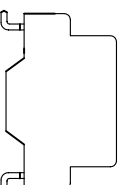
O MOISTURE SENSITIVE

MAXIMUM THROUGH REFLOW SOLDER



NG ADD A "T" SUFFIX

FNL BECOMES HX1260FNLT).



FINAL OUTLINE

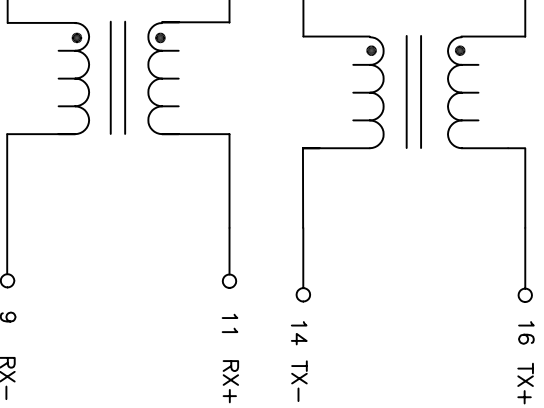
All rights reserved. Pulse confidential & proprietary. (06/12/14)

TLA DRAWING HX1260FNL-12	PS DRAWING PS-2005.002-D	SHEET 1 OF 3	PART NO. HX1260FNL	DATASHEET REV. A
-----------------------------	-----------------------------	-----------------	-----------------------	---------------------

ELECTRICAL CHARACTERISTICS AT +25°C UNLESS OTHERWISE SPECIFIED
MEETS IEEE 802.3 SPECIFICATION

PARAMETER	SPECIFICATIONS		
OPERATING TEMPERATURE	-40°C ~ +85°C		
TURNS RATIO	1 : 1 ± 2%		
POLARITY	PER SCHEMATIC		
INSERTION LOSS	100 KHZ	1-125 MHZ	
	-1.2 DB MAX	-0.2-0.002*f ^{1.4} DB MAX	
RETURN LOSS (Z OUT = 100 OHM ±15%)	.1-30 MHZ	30-60 MHZ	60-80 MHZ
	-16 DB MIN	-10+20*LOG ₁₀ (f/60 MHZ) DB MIN	-10 DB MIN
INDUCTANCE (OCL) (MEDIA SIDE, -40°C TO +85°C)	350 uH MIN (MEASURED AT 100 KHZ, 100 mV RMS)		
	1 MHZ	10-100 MHZ	
CROSSTALK, ADJACENT CHANNELS	-50 DB MIN	-55+22*LOG ₁₀ (f/10) DB MIN	
	2 MHZ	30-200 MHZ	
COMMON MODE REJECTION RATIO	-50 DB MIN	-15+20*LOG ₁₀ (f/200) DB MIN	
	.65 OHMS MAX		
DC RESISTANCE, 1/2 WINDING			
DC RESISTANCE IMBALANCE	±.065 OHMS MAX (CENTER TAP SYMMETRY)		
INPUT - OUTPUT ISOLATION	1500 VRMS MIN @ 60 SECONDS		

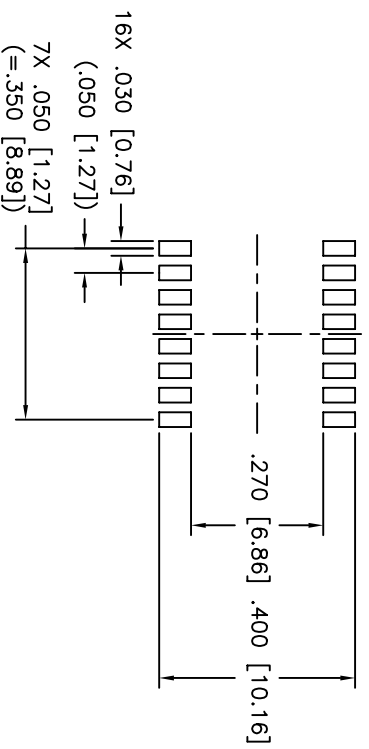
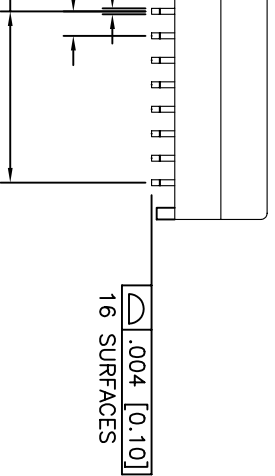
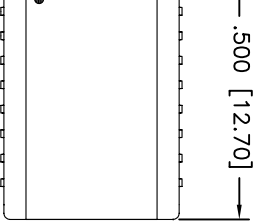
NOTE: f IS FREQUENCY IN MHZ.



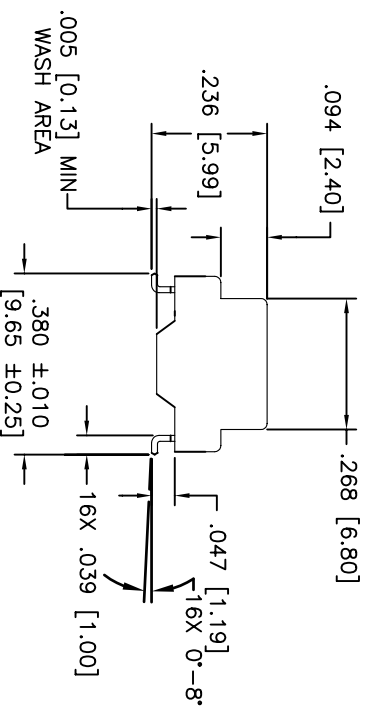
SCHEMATIC

All rights reserved. Pulse confidential & proprietary. (06/12/14)

TITLE DRAWING	PS DRAWING	SHEET	PART NO.	DATASHEET REV.
HX1260FNL-12	PS-2005.002-D	2 OF 3	HX1260FNL	A



SUGGESTED LAND PATTERN



WITH THE FOLLOWING
REFERENCE ONLY.


All rights reserved. Pulse confidential & proprietary. (06/12/14)

ITLA DRAWING HX1260FNL-12	PS DRAWING PS-2005.002-D	SHEET 3 OF 3	PART NO. HX1260FNL	DATASHEET REV. A
------------------------------	-----------------------------	-----------------	-----------------------	---------------------

Looking for pricing, stock, or lifecycle information?

Click below to explore more details on WIN SOURCE:

 [View HX1260FNLT on WIN SOURCE](#)

 [Pulse Information](#)

Optimize Your Supply Chain with WIN SOURCE Solutions

-  Global Sourcing Solution
-  Obsolete Management
-  Cost Control Management
-  Shortage Management
-  Alternative Solution
-  Excess Inventory Management