

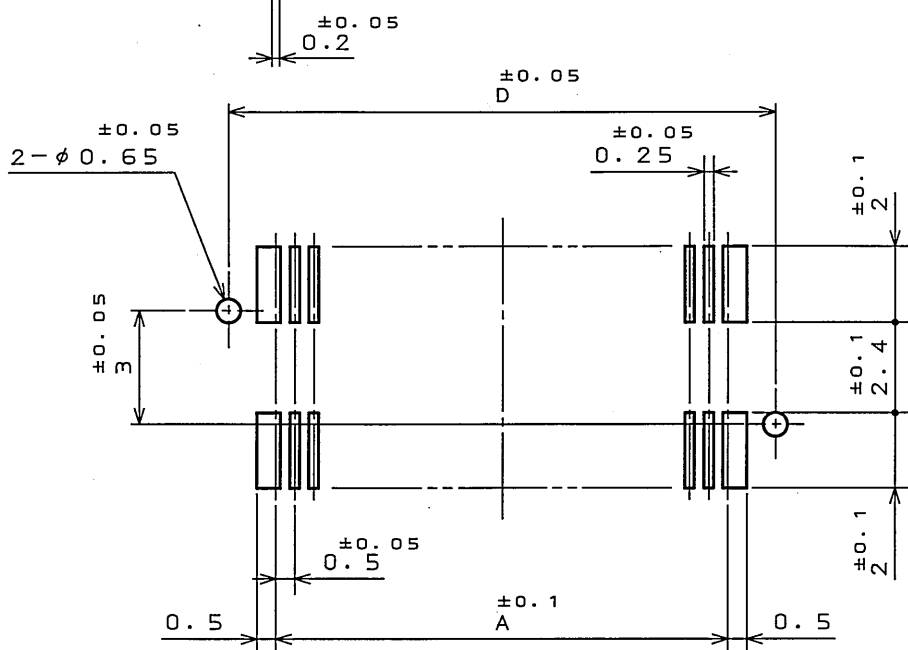
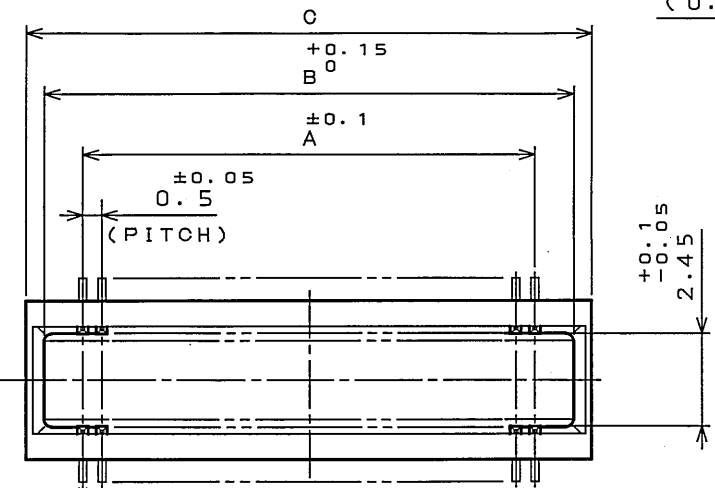
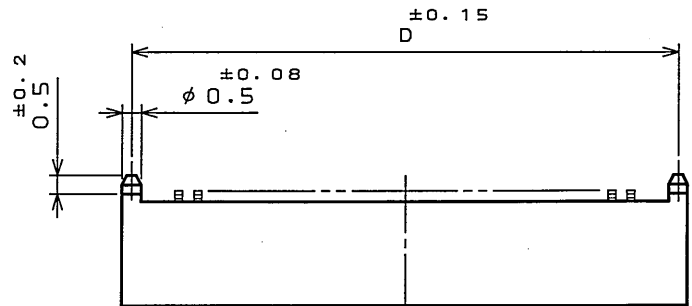
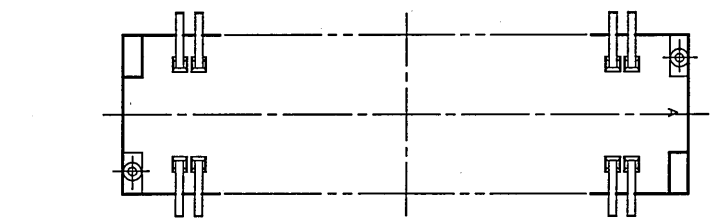


**THE DATASHEET OF  
WR-100PB-VF-N1-R1500**

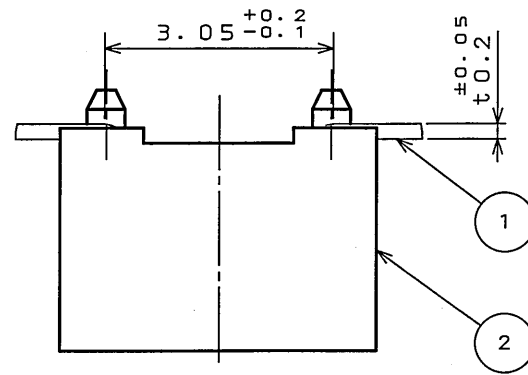
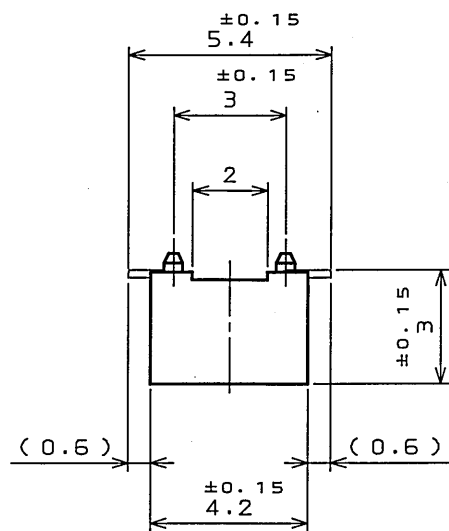


図面番号(DRAWING NO.) SJ100342

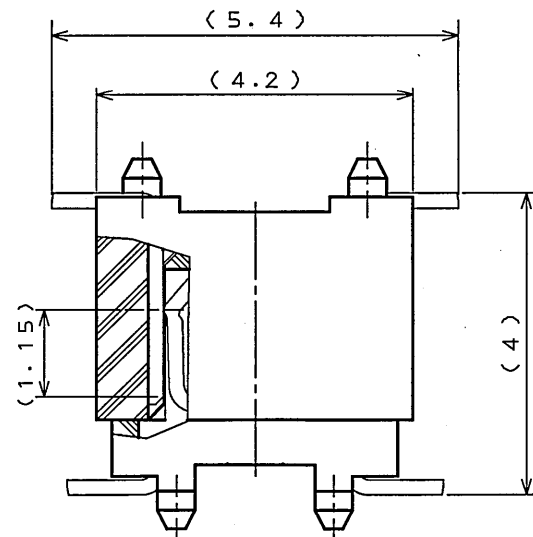
版数 REV.	年月日 DATE	DGN NO.	変更内容 DESCRIPTION	製図 DR.	担当 CHK.	査閲 APPD.	承認 APPD.



APPLICABLE P.C.B. DIMENSION (REF.)  
(CONNECTOR MOUNTING SIDE)



(SCALE 10:1)



MATED CONDITION (REF.)  
(SCALE 10:1)

TABLE 1

No. OF CONTACT(N)	A	B	C	D
16	3.5	5.5	6.5	6.0
20	4.5	6.5	7.5	7.0
36	8.5	10.5	11.5	11.0
40	9.5	11.5	12.5	12.0
50	12.0	14.0	15.0	14.5
60	14.5	16.5	17.5	17.0
70	17.0	19.0	20.0	19.5
80	19.5	21.5	22.5	22.0
100	24.5	26.5	27.5	27.0
120	29.5	31.5	32.5	32.0
160	39.5	41.5	42.5	42.0

TABLE 2

FINISH	CONTACT AREA	TERMINAL AREA
N 1	GOLD(0.1μm MIN) OVER NICKEL	GOLD FLASH OVER NICKEL

2	INSULATOR	1	GLASS FILLED PPS	COLOR: BLACK	
1	CONTACT	TABLE 1	PHOSPHOR BRONZE	TABLE 2	
符号 NO.	名称 DESCRIPTION	個数 QTY.	材料 MATERIAL	仕上 FINISH	備考 REMARKS

仕様書(SPECIFICATION) JACS-1385-*		第1版(ORIGINAL DATE) 4.Dec.2003		尺度(SCALE) 5:1	
公差(GENERAL TOLERANCE) 寸法(DIMENSION) 角度(ANGLES)		製図 DR. M.TANAKA		名称(TITLE) Reference Only	
. ±0.8 ° ±		担当 CHK. T.SHIODA		JAVIATION ELECTRONICS INDUSTRY, LTD.	
.X ±0.4 °X' ±		査閲 APPD. K. Kawasaki		WR-*PB-VF-N1	
.XX ±0.1 °XX' ±		承認 APPD. S. Kashiwagi		重量(WEIGHT)	
.XXX ±				図面番号(DRAWING NO.) SJ100342	

LEAD FREE この製品は鉛フリー品です

JAE CONNECTOR DIV. PROPRIETARY.  
COPYRIGHT (C) 2003, JAPAN AVIATION ELECTRONICS INDUSTRY, LTD.

DOF-0-212E(03.08)



SIZE A3

版数  
(REV.)  
1



## Looking for pricing, stock, or lifecycle information?

Click below to explore more details on WIN SOURCE:

 [View WR-100PB-VF-N1-R1500 on WIN SOURCE](#)

 [JAE Electronics](#) Information

## Optimize Your Supply Chain with WIN SOURCE Solutions

-  Global Sourcing Solution
-  Obsolete Management
-  Cost Control Management
-  Shortage Management
-  Alternative Solution
-  Excess Inventory Management