

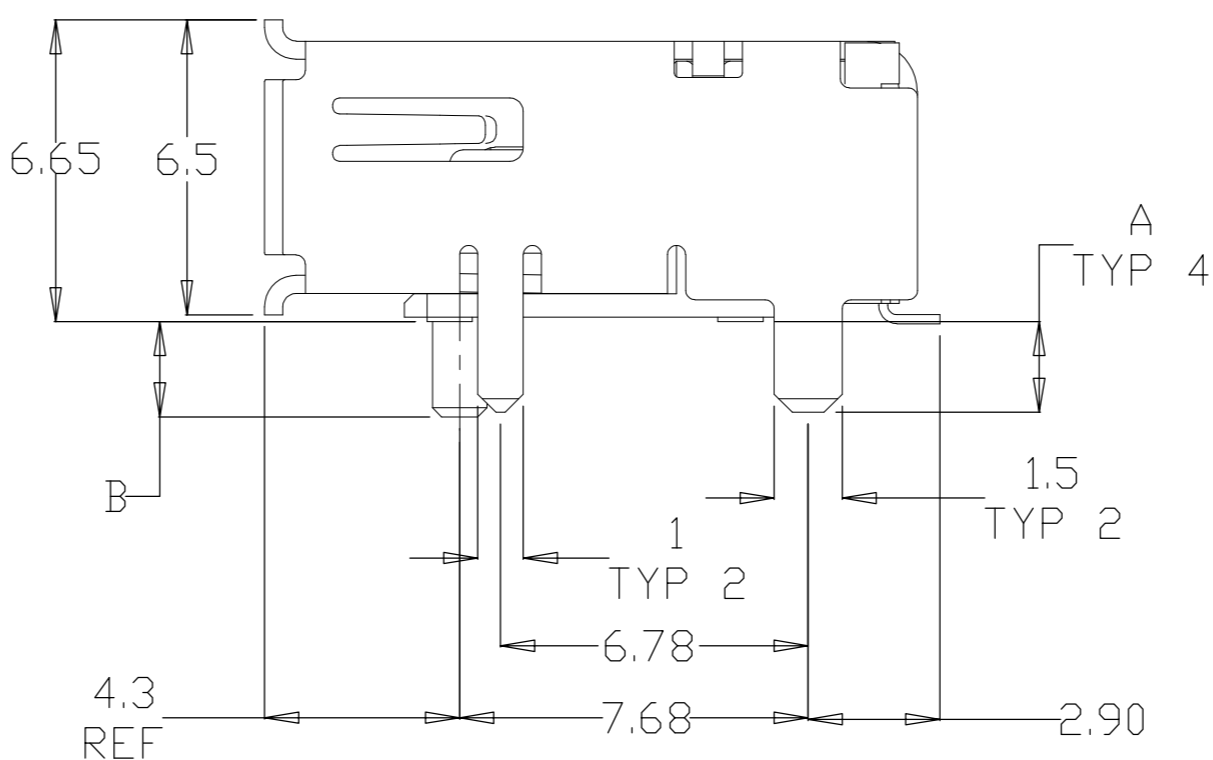
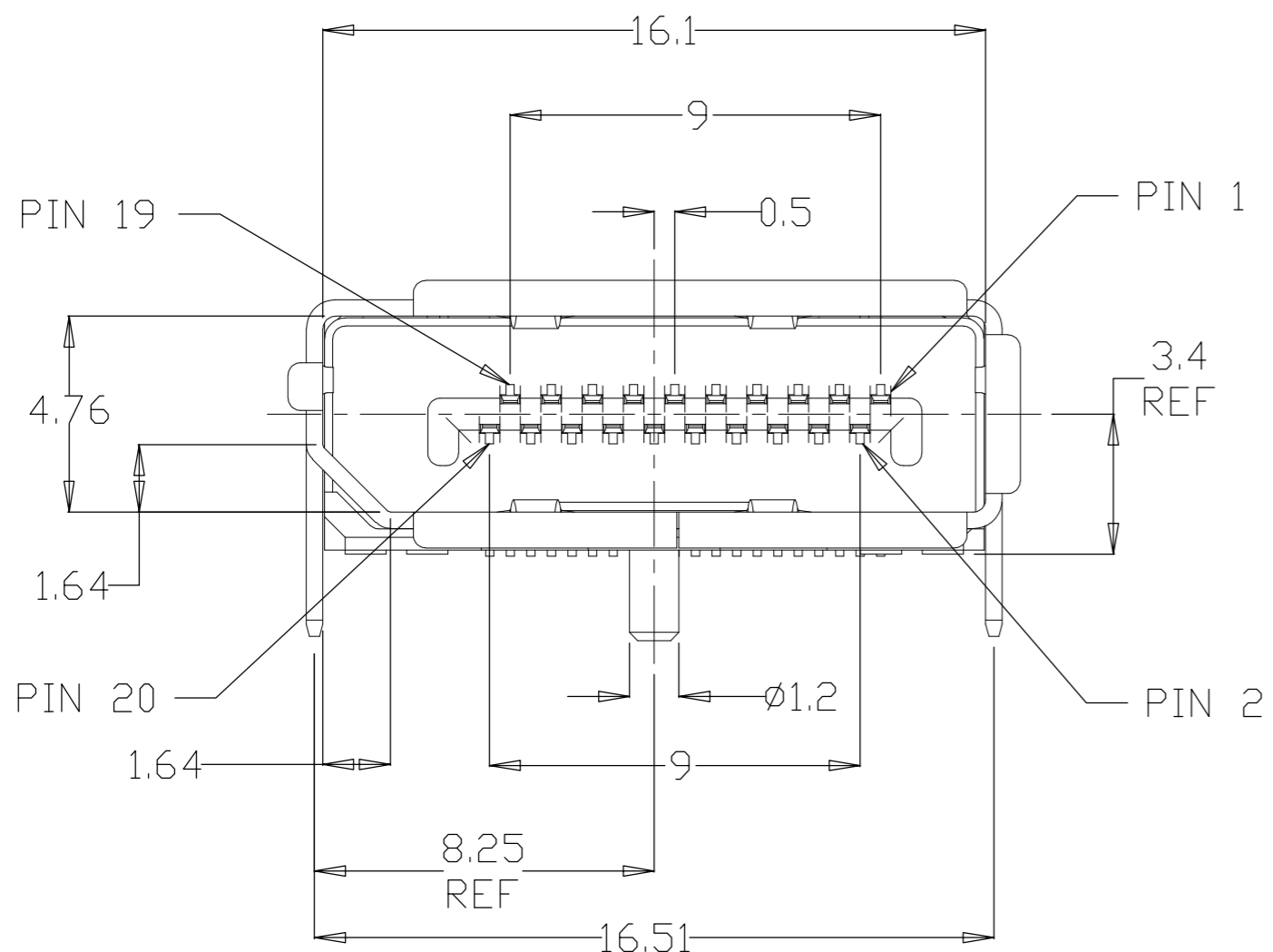
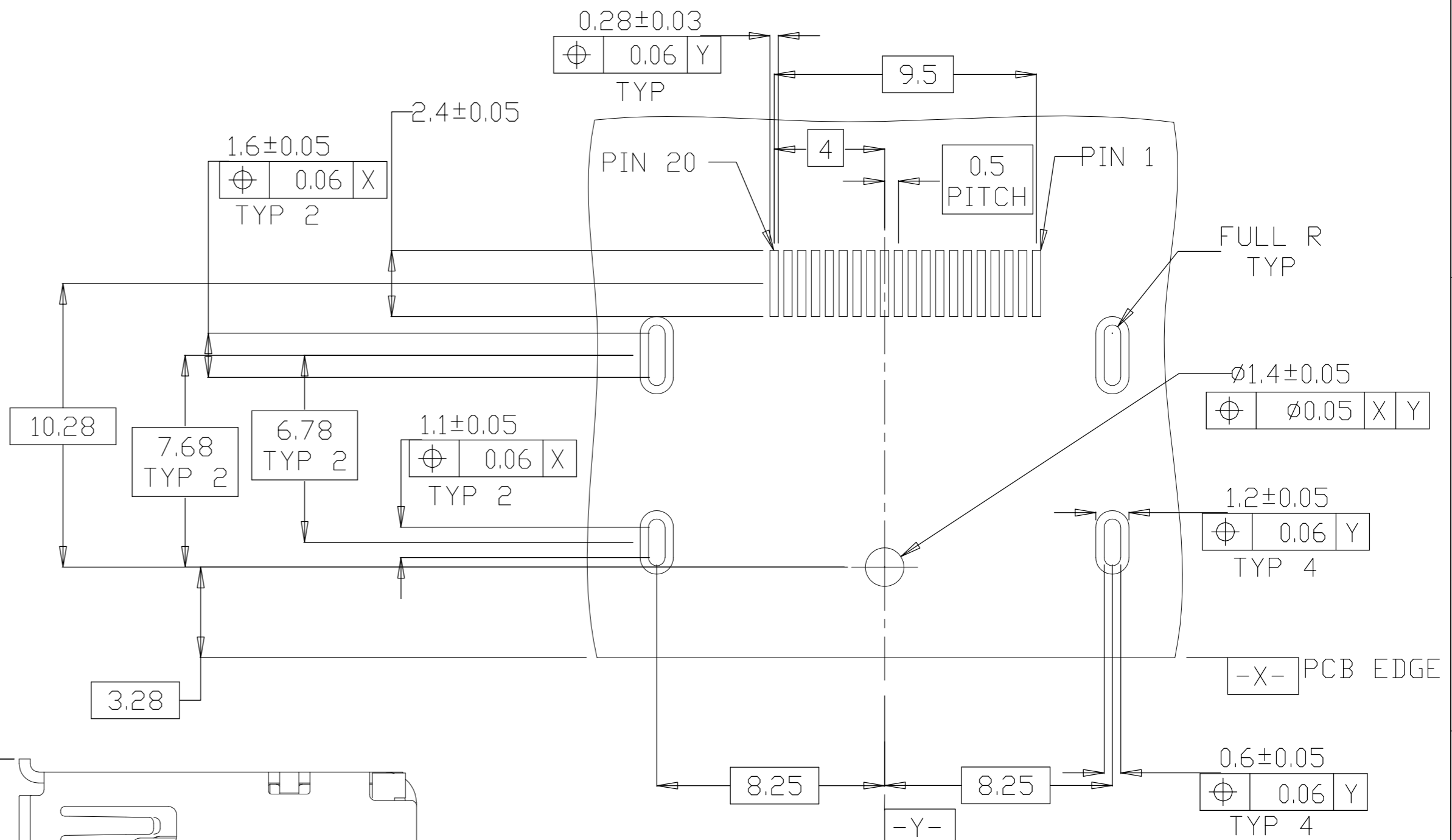
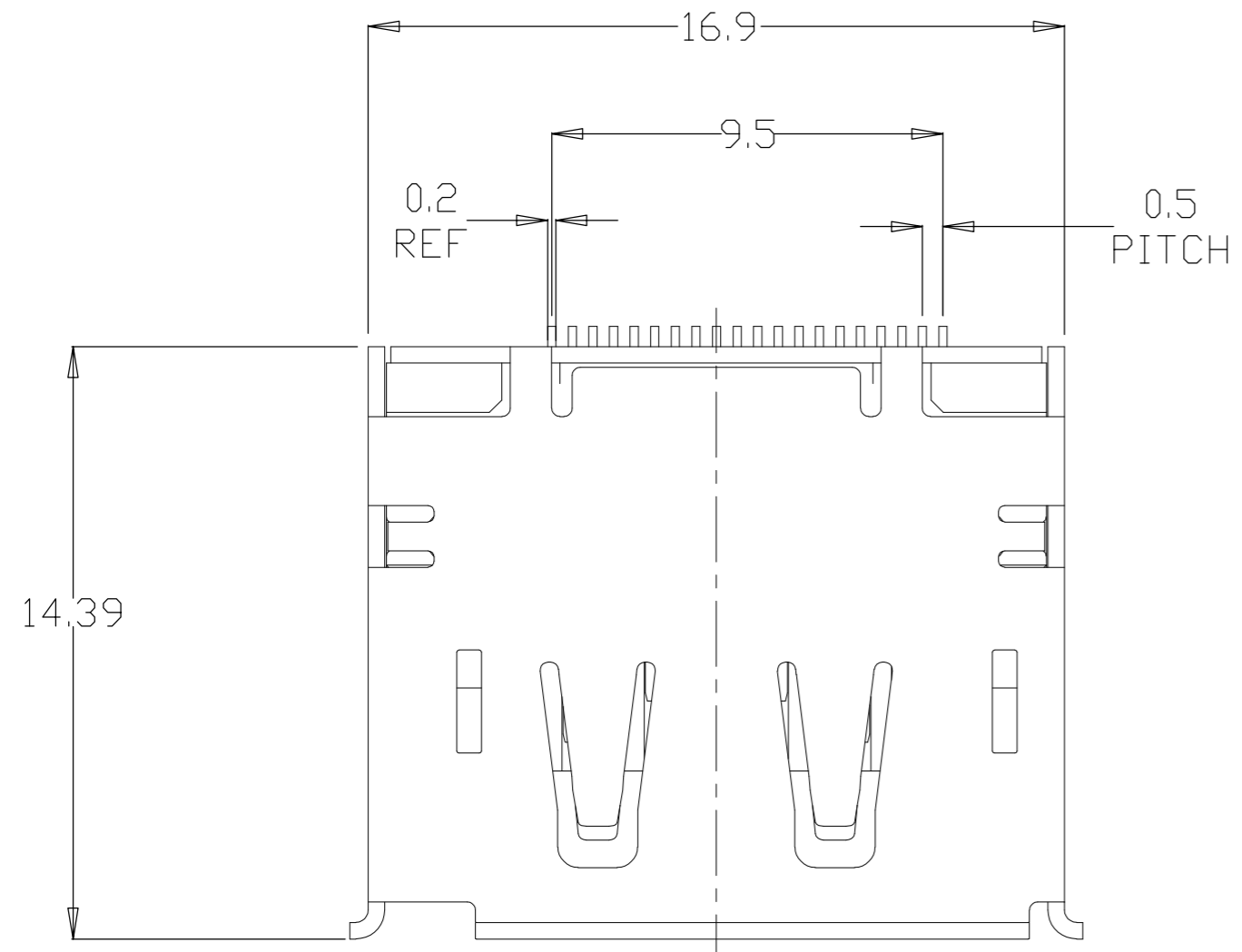


THE DATASHEET OF
2013655-1

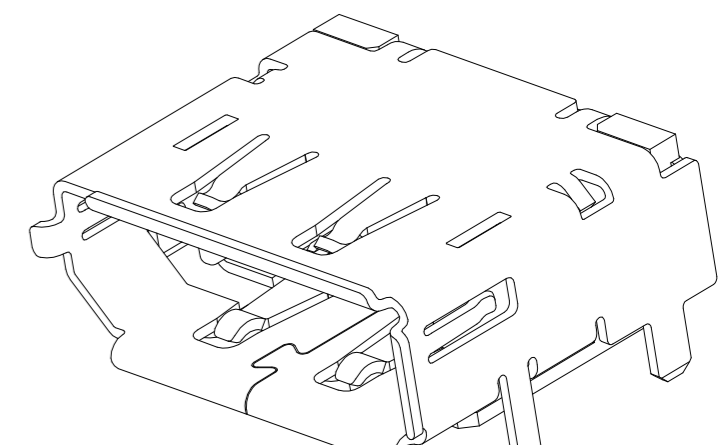


THIS DRAWING IS UNPUBLISHED. RELEASED FOR PUBLICATION
 © COPYRIGHT By - ALL RIGHTS RESERVED.

LOC		DIST		REVISIONS			
P	LTR	DESCRIPTION		DATE	DWN	APVD	
J		A2	REVISED PER ECO-11-005030	11MAR11	RK	HMR	



RECOMMENDED PCB LAYOUT (THICKNESS=1.6±0.1)
MOUNTING SIDE



- NOTES:
- MATERIAL:
HOUSING: HIGH TEMPERATURE THERMAL PLASTIC, BLACK, UL94V-0.
CONTACT: COPPER ALLOY.
SHELL: COPPER ALLOY.
 - FINISH:
CONTACT:
CONTACT AREA: 0.76 MINIMUM MICRON GOLD PLATING OVER 1.27 MINIMUM MICRON NICKEL PLATING ALL
SOLDER TAIL AREA: 2.54 MINIMUM MICRON TIN PLATING.
SHELL: NICKEL PLATING SOLDERABILITY IS WORSE THAN MATT TIN PLATING IN SOME CONDITION.
IN SUCH CASE, PLEASE SELECT MATT TIN PLATING.

MATT TIN	2.1	2	2013655-5
NICKEL	2.1	2	2013655-1
SHELL PLATING	DIM B	DIM A	PART NUMBER

P/N:2013655-1; AS SHOWN

THIS DRAWING IS A CONTROLLED DOCUMENT.		DWN	MARTIN LI	26MAY2007	 TE Connectivity RECEPTACLE ASSEMBLY EDP RA SMT STD STD			
DIMENSIONS: mm		CHK	MARTIN LI	26MAY2007				
TOLERANCES UNLESS OTHERWISE SPECIFIED:		APVD	STEVEN YAO	26MAY2007				
0 PLC ± 0.3 1 PLC ± 0.3 2 PLC ± 0.3 3 PLC ± 0.3 4 PLC ± 0.3 ANGLES ± 2°		PRODUCT SPEC	NAME					
MATERIAL		FINISH		WEIGHT	SIZE	CAGE CODE	DRAWING NO	RESTRICTED TO
CUSTOMER DRAWING		SCALE		4:1	SHEET	1 OF 2	REV	A2

4

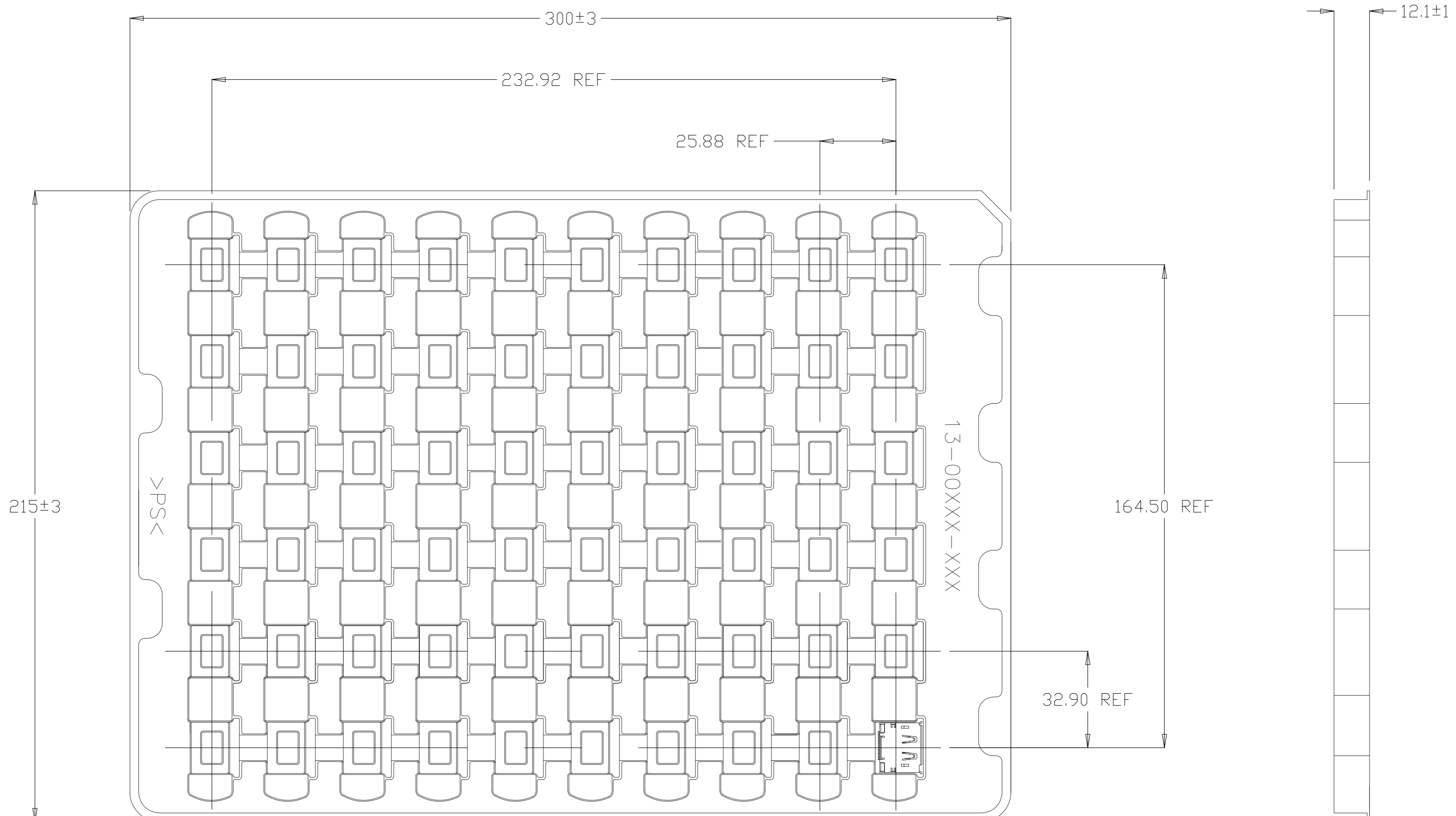
3

2

1

THIS DRAWING IS UNPUBLISHED. RELEASED FOR PUBLICATION
 © COPYRIGHT By - ALL RIGHTS RESERVED.

LOC	DIST	REVISIONS			
P	LTR	DESCRIPTION	DATE	DWN	APVD
-	-	SEE SHEET 1	-	-	-



PACKAGE TARY

THIS DRAWING IS A CONTROLLED DOCUMENT.		DWN	TE TE Connectivity	
DIMENSIONS: mm		CHK		
TOLERANCES UNLESS OTHERWISE SPECIFIED		APVD	NAME	
0 PLC ±		PRODUCT SPEC	RECEPTACLE ASSEMBLY	
1 PLC ±		APPLICATION SPEC	EDP RA SMT STD	
2 PLC ±		WEIGHT	SIZE	CAGE CODE
3 PLC ±		CUSTOMER DRAWING	A2	00779
4 PLC ±			DRAWING NO	C=2013655
ANGLES ±		SCALE	SHEET	REV
FINISH		FREE	2 OF 2	A2

Looking for pricing, stock, or lifecycle information?

Click below to explore more details on WIN SOURCE:

 [View 2013655-1](#) on WIN SOURCE

 [TE Connectivity](#) Information

Optimize Your Supply Chain with WIN SOURCE Solutions

-  Global Sourcing Solution
-  Obsolete Management
-  Cost Control Management
-  Shortage Management
-  Alternative Solution
-  Excess Inventory Management