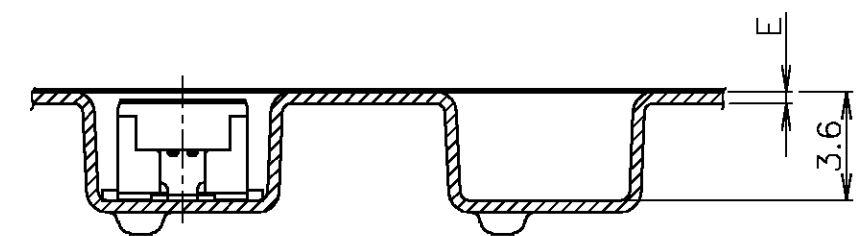
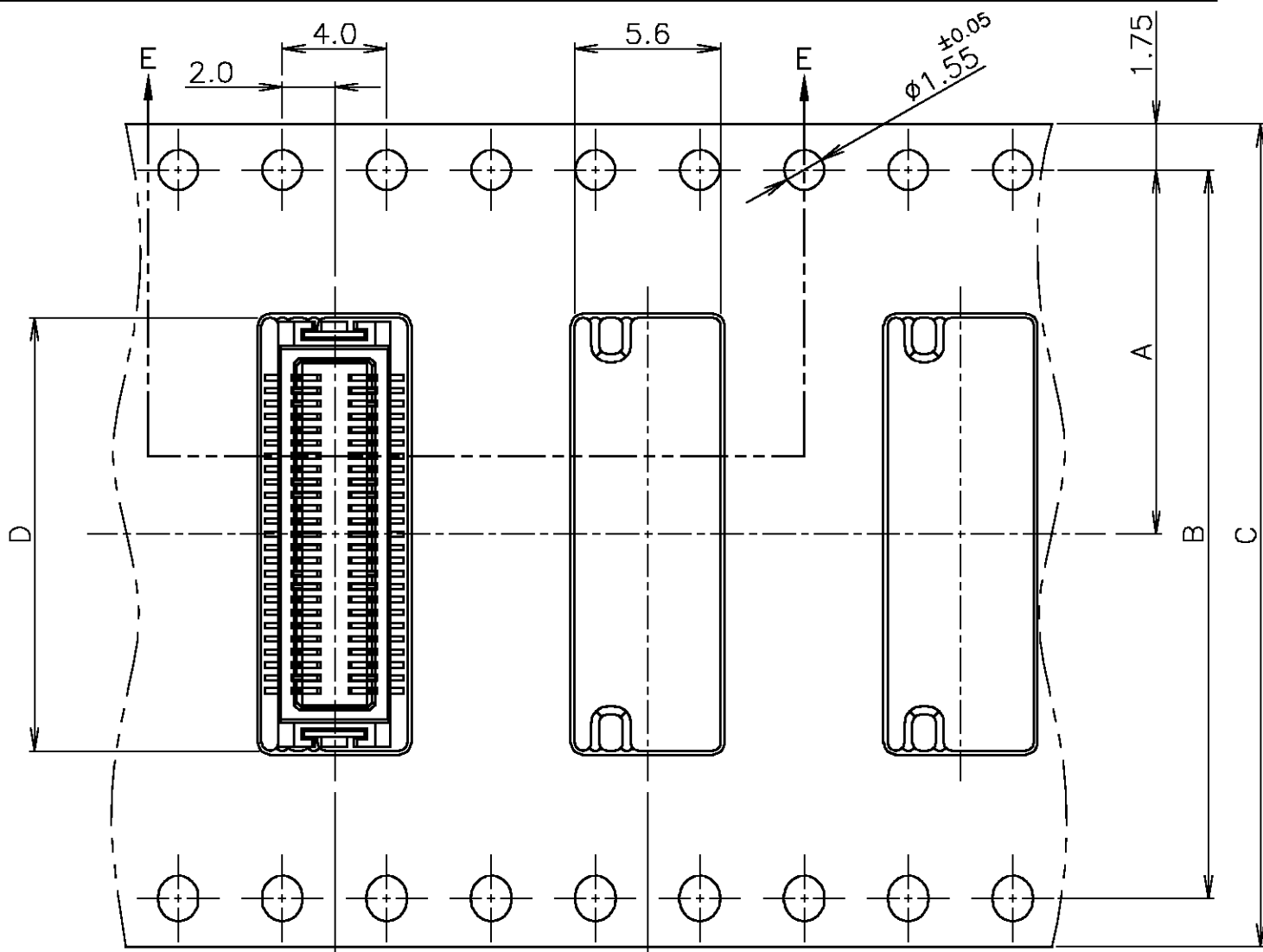




THE DATASHEET OF
1565359-9



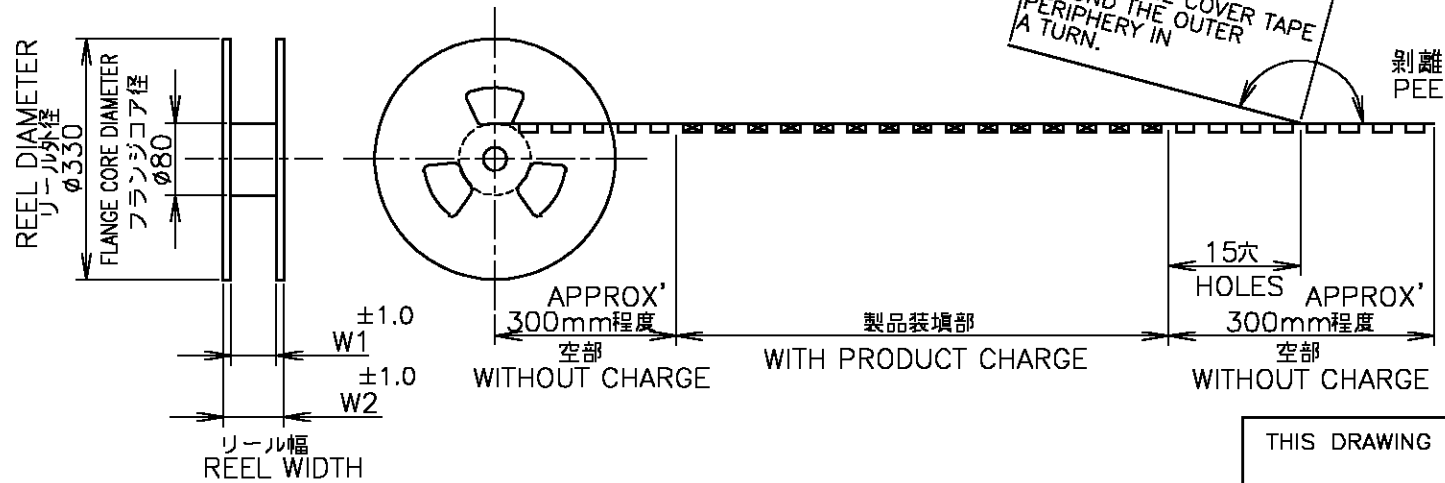
LOC		DIST		REVISIONS		
J				変更		
P	LTR	DESCRIPTION	DATE	DWN	APVD	
A		REVISED	FJB0-0396-04	23APR04	Y.N H.M	



引出し方向
TOP OF REEL
→

カバーテープ
リーダー部
外周一巻
WEEDING THE COVER TAPE
AROUND THE OUTER
PERIPHERY IN
A TURN.
剥離角度、165°~180°
PEELING ANGLE.

鉛フリー
LEAD FREE



THIS DRAWING IS A CONTROLLED DOCUMENT.

DIMENSIONS: 単位: 耗 MM	TOLERANCES UNLESS OTHERWISE SPECIFIED: 一般公差
	0 PLC ±0.3
	1 PLC ±0.3
	2 PLC ±0.3
	3 PLC ±0.3
	4 PLC ±0.3
	ANGLES ±3°
MATERIAL 材料	FINISH 仕上

INSTRUCTION SHEET 取扱説明書 411-5808	WIRE RANGE 包含電線断面積	INSULATION DIA 被覆外径
DWN Y.NAKAZAWA 23APR04	Tyco Electronics AMP K.K. Kawasaki, Japan	
CHK T.KUSUHARA 23APR04	ON TAPING (EMBOSS) 0.5mm PITCH FINE MATE CONN. TAB ASSEMBLY (V-TYPE) (H=4.5)	
APVD H.MURAMATSU 23APR04	NAME 名称	RESTRICTED TO
PRODUCT SPEC 製品規格 108-5496	SIZE A3	CAGE CODE 00779
APPLICATION SPEC 取付適用規格	DRAWING NO 番号 C=1565359	SCALE 尺度 4:1
WEIGHT	SHEET 1 OF 2	REV A
CUSTOMER DRAWING		

THIS DRAWING IS UNPUBLISHED. RELEASED FOR PUBLICATION APR, 2004.
 © COPYRIGHT 2004 BY TYCO ELECTRONICS CORPORATION. ALL RIGHTS RESERVED.

LOC	DIST	REVISIONS					
		P	LTR	DESCRIPTION	DATE	DWN	APVD
J	/			SEE SHEET 1			

	DIMENSIONS										
	W2	W1	E	D	C	B	A	QTY/REEL	POS	CONNECTOR P/N	TAPING P/N
WITH BOSS	50.5	45.5	0.4	24.1	44	40.4	20.2	1000	80	5-1565360-3	5-1565359-3
WITHOUT BOSS	20.2	17.5	0.4	9.1	16	+-	7.5	1000	20	1565360-9	1565359-9
	36.7	33.5	0.4	19.1	32	28.4	14.2	1000	60	1565360-5	1565359-5
	50.5	45.5	0.4	24.1	44	40.4	20.2	1000	80	1565360-3	1565359-3
	49.5	45.5	0.38	29.1	44	40.4	20.2	1000	100	1565360-1	1565359-1

鉛フリー
LEAD FREE

THIS DRAWING IS A CONTROLLED DOCUMENT.

DIMENSIONS: 単位: 毫 MM	TOLERANCES UNLESS OTHERWISE SPECIFIED: 一般公差
	0 PLC ± 0.3 1 PLC ± 0.3 2 PLC ± 0.3 3 PLC ± 0.3 4 PLC ± 0.3 ANGLES ± 3'
MATERIAL 材料	FINISH 仕上

INSTRUCTION SHEET 取扱説明書 411-5808	WIRE RANGE 抱合電線断面積	INSULATION DIA 被覆外径
DWN	CHK	APVD
Tyco Electronics AMP K.K. Kawasaki, Japan		NAME 名称
PRODUCT SPEC 製品規格 108-5496		ON TAPING (EMBOSS) 0.5mm PITCH FINE MATE CONN. TAB ASSEMBLY (V-TYPE) (H=4.5)
APPLICATION SPEC 取付適用規格	WEIGHT	RESTRICTED TO
SIZE A3	CAGE CODE 00779	DRAWING NO 番号 C-1565359
CUSTOMER DRAWING		SCALE 尺度 4:1
SHEET 2 OF 2		REV A

Looking for pricing, stock, or lifecycle information?

Click below to explore more details on WIN SOURCE:

 [View 1565359-9](#) on WIN SOURCE

 [TE Connectivity](#) Information

Optimize Your Supply Chain with WIN SOURCE Solutions

-  Global Sourcing Solution
-  Obsolete Management
-  Cost Control Management
-  Shortage Management
-  Alternative Solution
-  Excess Inventory Management