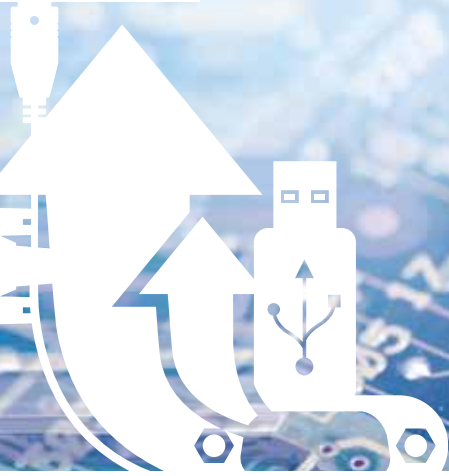




THE DATASHEET OF CRTOUCHB10VFM





Ready Play Solutions

Xtrinsic Capacitive and Resistive Touch-Sensing Platform



Overview

Freescale Ready Play solutions integrate functionality in different applications, allowing customers to add features while reducing development cost—simplifying design cycles and enabling scalability in applications and systems.

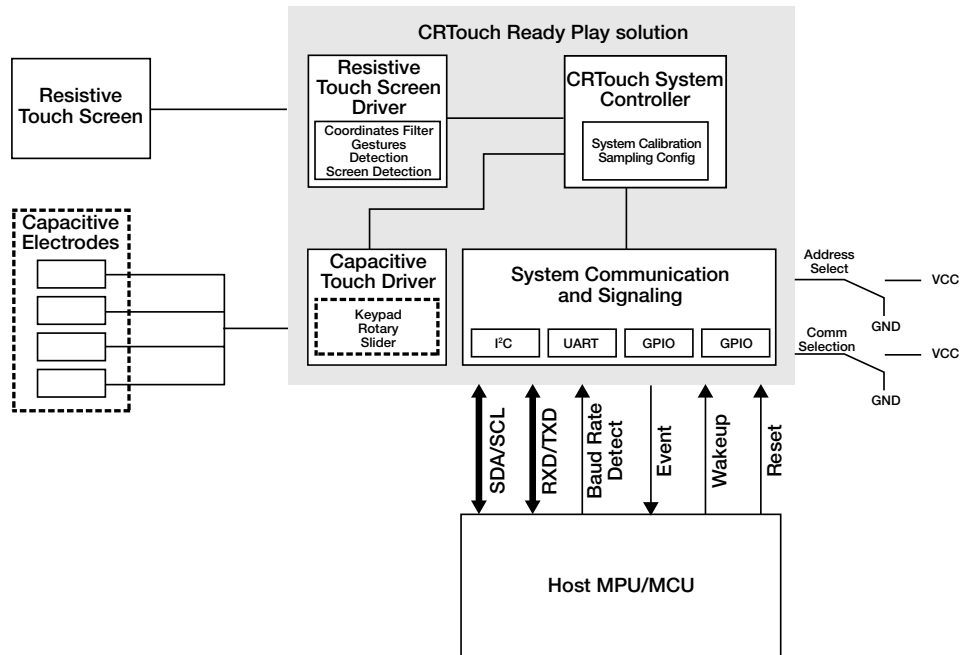
The Xtrinsic capacitive and resistive touch-sensing platform (CRTouch) enables resistive touch screens to handle basic gesture recognition and allows the addition of up to four capacitive electrodes to your system, all packaged on a 5 x 5 mm lead-free 32-pin QFN. It supports four- and five-wire touch screens and communicates over UART and I2C communication protocols. The implementation of these technologies enables the CRTouch to help reduce space, cut software development costs and speed time to market.

Key Features

- Standard X, Y resistive touch screen detection with optional calibration and built-in filter for improved stability
- Four- and five-wire pressure detection
- Two touch gesture detection on a four wire screen
- Zoom in/out
- Rotate direction indication and angle measurement
- Four capacitive electrodes independent from touch screen may be configured as keypad, rotary or slider
- UART and I²C communication available
 - Two selectable I²C addresses
 - UART baud rate auto detection mechanism
- Event indicator signal for host processor
- Configurable sample rate with up to 200 points per second
- Linux[®], Android[®] and PEG integration example code available
- 1.8- to 3.6-volt operation
- 32-pin QFN package
- -40°C to +105°C operating temperature
- Normal run, sleep and shutdown modes for reduced power consumption

- Control panels
- Human-machine interface
- Keyboard replacement
- Point-of-sale terminals
- Signature capture devices
- Kiosks

Xtrinsic Capacitive and Resistive Touch-Sensing Platform



Ordering Information

	Description	MSRP (USD)
Part Number	CRTOUCHB10VFM	\$1.82 10 KU
Development Tools	EVBCRTOUCH	\$85
Tools and Software	GUI	No cost

Freescale: A Leader in Sensing Solutions

Expanding on more than 30 years of sensor innovation, Freescale's Xtrinsic sensing solutions are designed with the right combination of high-performance sensing capability, processing capacity and customizable software to help deliver smart, differentiated sensing solutions. With Xtrinsic sensors, our vision is to offer a diverse and differentiated product portfolio to meet the expanding needs of the automotive, consumer and industrial segments. Xtrinsic solutions offer ideal blends of functionality and intelligence designed to help our customers differentiate and win in highly competitive markets.

For current information about the Xtrinsic CRTouch platform, please visit freescale.com/CRTouch

Looking for pricing, stock, or lifecycle information?

Click below to explore more details on WIN SOURCE:

- ⊖ [View CRTOUCHB10VFM on WIN SOURCE](#)
- ⊖ [Freescale Semiconductor - NXP Information](#)

Optimize Your Supply Chain with WIN SOURCE Solutions

- ✓ Global Sourcing Solution
- ✓ Obsolete Management
- ✓ Cost Control Management
- ✓ Shortage Management
- ✓ Alternative Solution
- ✓ Excess Inventory Management