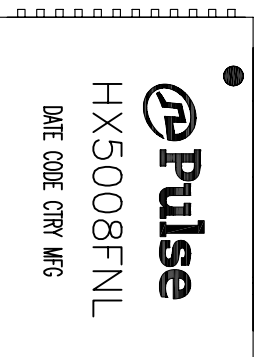




THE DATASHEET OF HX5008FNLT





) WITH FLAMMABILITY

) +125°C

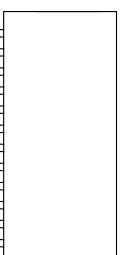
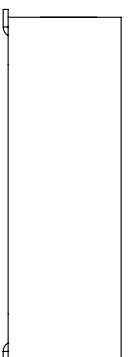
ITY AT 245°C REFLOW PROFILE

O MOISTURE SENSITIVE

MAXIMUM THROUGH REFLOW SOLDER

NG ADD A "T" SUFFIX

FNL BECOMES HX5008FNLT).



FINAL OUTLINE

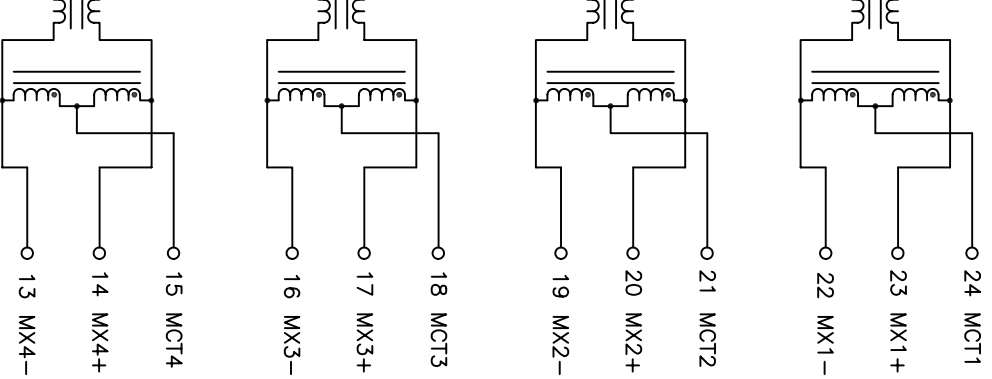
All rights reserved. Pulse confidential & proprietary. (06/17/14)

TLA DRAWING	PS DRAWING	SHEET	PART NO.	DATASHEET REV.
HX5008FNL-10	PS-2745.001-A	1 OF 3	HX5008FNL	A

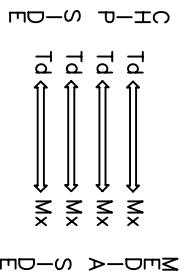
ELECTRICAL CHARACTERISTICS AT +25°C UNLESS OTHER SPECIFIED
MEETS IEEE 802.3 SPECIFICATION

PARAMETER	SPECIFICATIONS
OPERATING TEMPERATURE	-40°C – +85 °C
TURNS RATIO	1 : 1 ±2%
POLARITY	PER SCHEMATIC
OCL, TRANSMIT CHANNEL	325 uH MIN. WITH 8mA DC BIAS, -40 TO 85 °C
INSERTION LOSS	100 KHz 1-100 MHz 125 MHz -1.2 DB MAX -1.0 DB MAX -3.0 DB MAX
RETURN LOSS	1-40 MHz 40-100 MHz -16 DB MIN -10+20*LOG ₁₀ (f/80) DB MIN
(Z OUT = 100 OHM ±15%)	
CROSSSTALK (TX-RX)	1 MHz 30-100 MHz -50 DB MIN -55+24*LOG ₁₀ (f/10) DB MIN
DIFFERENTIAL TO COMMON MODE REJECTION	2 MHz 30-100 MHz -50 DB MIN -43+22*LOG ₁₀ (f/30) DB MIN
INPUT - OUTPUT ISOLATION	1500 VRMS MIN

NOTE: f IS FREQUENCY IN MHZ.



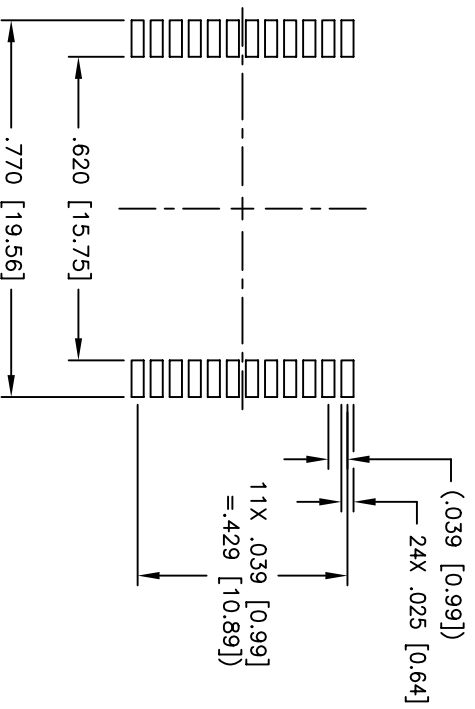
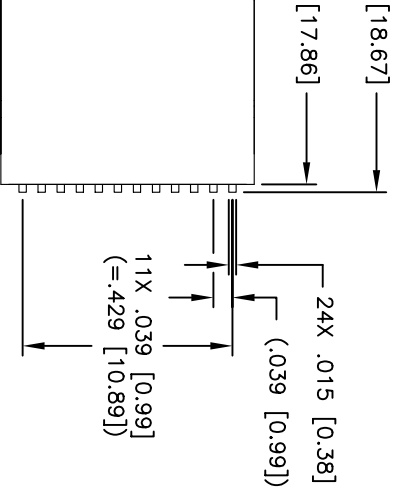
LEGEND



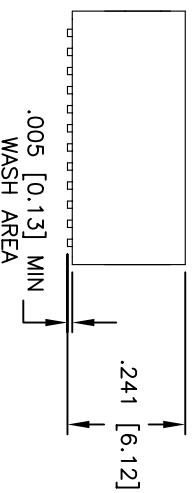
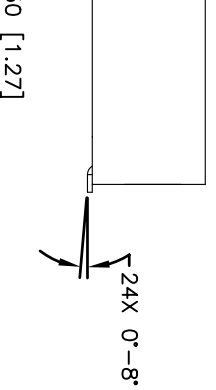
ALL CHANNELS ARE
IN PHASE BETWEEN
INPUT AND OUTPUT

All rights reserved. Pulse confidential & proprietary. (06/17/14)

TLA DRAWING HX5008FNL-10	PS DRAWING PS-2745.001-A	SHEET 2 OF 3	PART NO. HX5008FNL	DATASHEET REV. A
-----------------------------	-----------------------------	-----------------	-----------------------	---------------------



SUGGESTED LAND PATTERN





WITH THE FOLLOWING
REFERENCE ONLY.

All rights reserved. Pulse confidential & proprietary. (06/17/14)

TTLA DRAWING HX5008FNL-10	PS DRAWING PS-2745.001-A	SHEET 3 OF 3	PART NO. HX5008FNL	DATASHEET REV. A
------------------------------	-----------------------------	-----------------	-----------------------	---------------------

Looking for pricing, stock, or lifecycle information?

Click below to explore more details on WIN SOURCE:

-  [View HX5008FNL](#) on WIN SOURCE
-  [Pulse](#) Information

Optimize Your Supply Chain with WIN SOURCE Solutions

-  Global Sourcing Solution
-  Obsolete Management
-  Cost Control Management
-  Shortage Management
-  Alternative Solution
-  Excess Inventory Management