



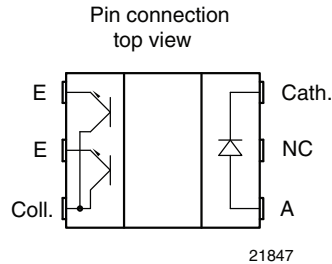
**THE DATASHEET OF
TCUT1350X01**



Subminiature Dual Channel Transmissive Optical Sensor with Phototransistor Outputs



19534



21847

DESCRIPTION

The TCUT1350X01 is a compact transmissive sensor that includes an infrared emitter and two phototransistor detectors, located face-to-face in a surface mount package. TCUT1350X01 is especially designed to meet high operating temperature requirements and is released for operating temperature ranges from - 40 °C to + 125 °C.

FEATURES

- Package type: surface mount
- Detector type: phototransistor
- Dimensions (L x W x H in mm): 5.5 x 4 x 4
- AEC-Q101 qualified
- Gap (in mm): 3
- Aperture (in mm): 0.3
- Channel distance (center to center): 0.8 mm
- Typical output current under test: $I_C = 1.6$ mA
- Emitter wavelength: 950 nm
- Released for high operating temperatures up to 125 °C
- Lead (Pb)-free soldering released
- Moisture sensitivity level (MSL): 1
- Material categorization: For definitions of compliance please see www.vishay.com/doc?99912

AUTOMOTIVE GRADE


 RoHS COMPLIANT
GREEN
 (5-2008)

APPLICATIONS

- Automotive optical sensors
- Accurate position sensor for encoder
- Sensor for motion, speed and direction

| PRODUCT SUMMARY | | | | |
|-----------------|----------------|---------------------|-------------------------------------------------------|-------------------------------------|
| PART NUMBER | GAP WIDTH (mm) | APERTURE WIDTH (mm) | TYPICAL OUTPUT CURRENT UNDER TEST ⁽¹⁾ (mA) | DAYLIGHT BLOCKING FILTER INTEGRATED |
| TCUT1350X01 | 3 | 0.3 | 1.6 | No |

Note

- Conditions like in table basic characteristics/coupler

| ORDERING INFORMATION | | | |
|----------------------|---------------|------------------------------|----------------|
| ORDERING CODE | PACKAGING | VOLUME ⁽¹⁾ | REMARKS |
| TCUT1350X01 | Tape and reel | MOQ: 2000 pcs, 2000 pcs/reel | Drypack, MSL 1 |

Note

- MOQ: minimum order quantity



| ABSOLUTE MAXIMUM RATINGS ($T_{amb} = 25\text{ }^{\circ}\text{C}$, unless otherwise specified) | | | | |
|--------------------------------------------------------------------------------------------------------|-------------------------------------------------------------|-----------|---------------|--------------------|
| PARAMETER | TEST CONDITION | SYMBOL | VALUE | UNIT |
| COUPLER | | | | |
| Total power dissipation | $T_{amb} \leq 125\text{ }^{\circ}\text{C}$ | P_{tot} | 37.5 | mW |
| Junction temperature | | T_j | 140 | $^{\circ}\text{C}$ |
| Ambient temperature range | | T_{amb} | - 40 to + 125 | $^{\circ}\text{C}$ |
| Storage temperature range | | T_{stg} | - 40 to + 125 | $^{\circ}\text{C}$ |
| Soldering temperature | In accordance with fig. 16 | T_{sd} | 260 | $^{\circ}\text{C}$ |
| INPUT (EMITTER) | | | | |
| Reverse voltage | | V_R | 5 | V |
| Forward current | $T_{amb} \leq 125\text{ }^{\circ}\text{C}$ | I_F | 25 | mA |
| Forward surge current | $t_p \leq 10\text{ }\mu\text{s}$ | I_{FSM} | 200 | mA |
| Power dissipation | $T_{amb} \leq 125\text{ }^{\circ}\text{C}$ | P_V | 37.5 | mW |
| OUTPUT (DETECTOR) | | | | |
| Collector emitter voltage | | V_{CEO} | 20 | V |
| Emitter collector voltage | | V_{ECO} | 7 | V |
| Collector current | | I_C | 20 | mA |
| Collector dark current | $T_{amb} = 85\text{ }^{\circ}\text{C}, V_{CE} = 5\text{ V}$ | I_{CEO} | 3.3 | μA |

ABSOLUTE MAXIMUM RATINGS

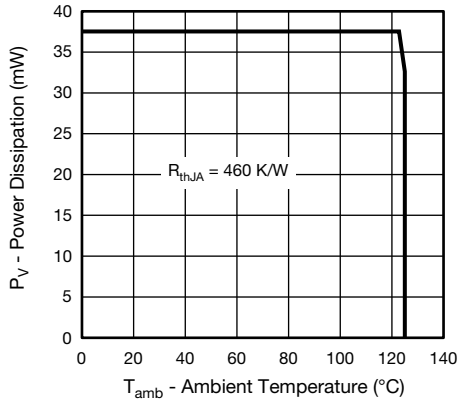


Fig. 1 - Power Dissipation Limit vs. Ambient Temperature

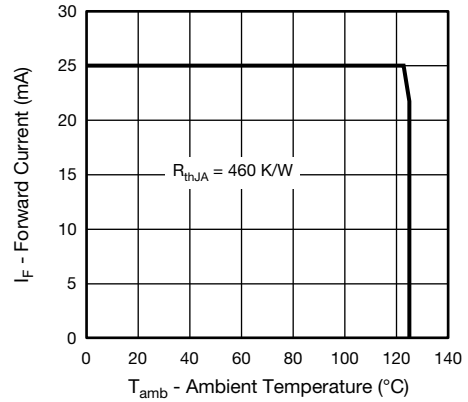


Fig. 2 - Forward Current Limit vs. Ambient Temperature

| ELECTRICAL CHARACTERISTICS ($T_{amb} = 25\text{ }^{\circ}\text{C}$, unless otherwise specified) | | | | | | |
|----------------------------------------------------------------------------------------------------------|----------------------------------------------------------------------------------------|-------------|------|------|------|---------------|
| PARAMETER | TEST CONDITION | SYMBOL | MIN. | TYP. | MAX. | UNIT |
| COUPLER | | | | | | |
| Collector current per channel | $V_{CE} = 5\text{ V}$, $I_F = 15\text{ mA}$ | I_C | 0.7 | 1.6 | | mA |
| Collector emitter saturation voltage | $I_F = 15\text{ mA}$, $I_C = 0.2\text{ mA}$ | V_{CEsat} | | | 0.4 | V |
| INPUT (EMITTER) | | | | | | |
| Forward voltage | $I_F = 15\text{ mA}$ | V_F | 1 | 1.2 | 1.4 | V |
| Reverse current | $V_R = 5\text{ V}$ | I_R | | | 10 | μA |
| Junction capacitance | $V_R = 0\text{ V}$, $f = 1\text{ MHz}$ | C_j | | 25 | | pF |
| OUTPUT (DETECTOR) | | | | | | |
| Collector emitter voltage I_C | $I_C = 1\text{ mA}$ | V_{CEO} | 20 | | | V |
| Emitter collector voltage | $I_E = 100\text{ }\mu\text{A}$ | V_{ECO} | 7 | | | V |
| Collector dark current | $V_{CE} = 25\text{ V}$, $I_F = 0\text{ A}$, $E = 0\text{ lx}$ | I_{CEO} | | 1 | 100 | nA |
| SWITCHING CHARACTERISTICS | | | | | | |
| Rise time | $I_C = 0.7\text{ mA}$, $V_{CE} = 5\text{ V}$, $R_L = 100\text{ }\Omega$ (see fig. 3) | t_r | | 9 | 150 | μs |
| Fall time | $I_C = 0.7\text{ mA}$, $V_{CE} = 5\text{ V}$, $R_L = 100\text{ }\Omega$ (see fig. 3) | t_f | | 16 | 150 | μs |

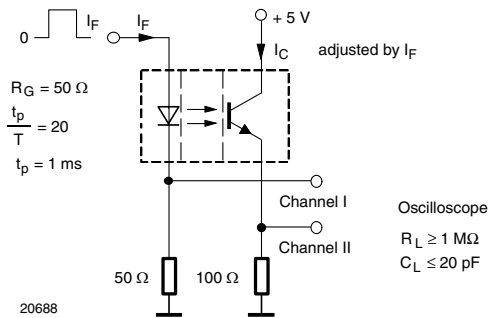
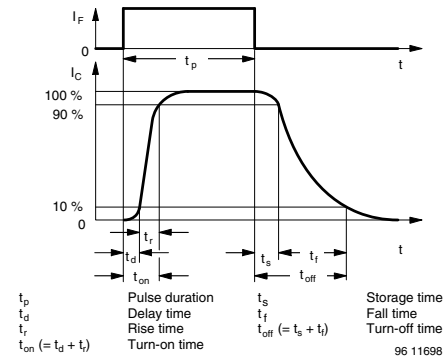

 Fig. 3 - Test Circuit for t_r and t_f


Fig. 4 - Switching Times

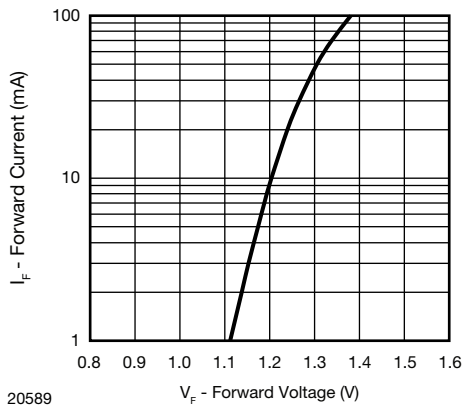
BASIC CHARACTERISTICS ($T_{amb} = 25\text{ }^{\circ}\text{C}$, unless otherwise specified)


Fig. 5 - Forward Current vs. Forward Voltage

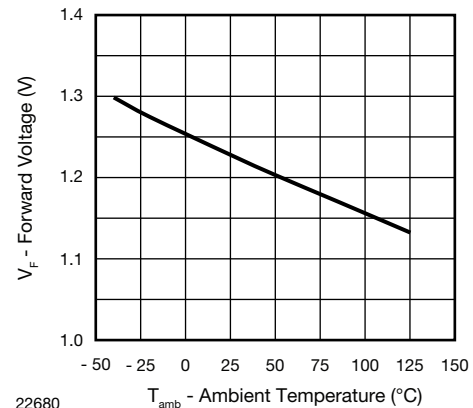


Fig. 6 - Forward Voltage vs. Ambient Temperature

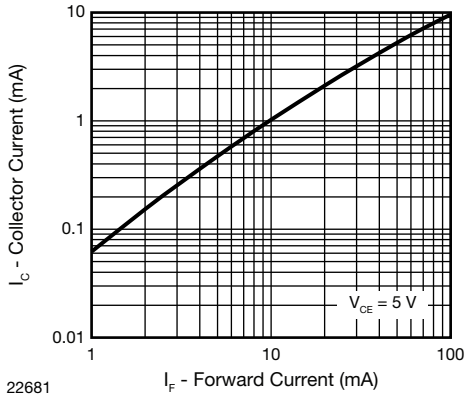


Fig. 7 - Collector Current vs. Forward Current

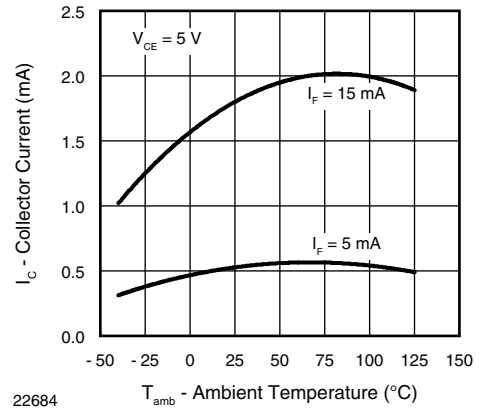


Fig. 10 - Collector Current vs. Ambient Temperature

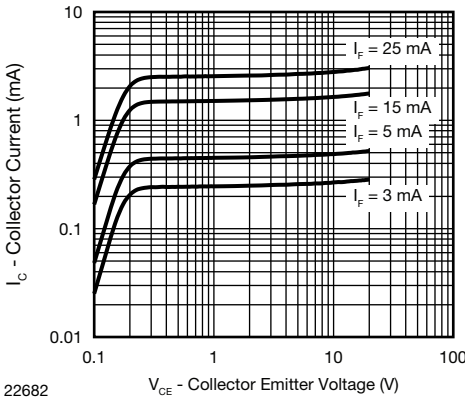


Fig. 8 - Collector Current vs. Collector Emitter Voltage

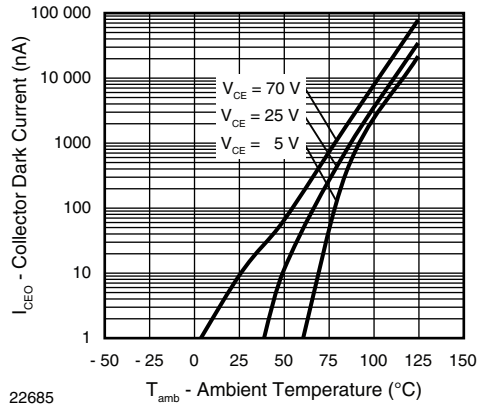


Fig. 11 - Collector Dark Current vs. Ambient Temperature

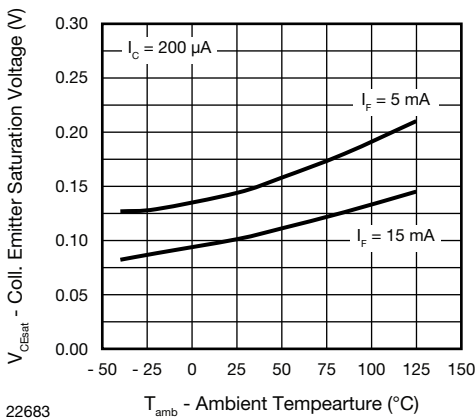


Fig. 9 - Collector Emitter Saturation Voltage vs. Ambient Temperature

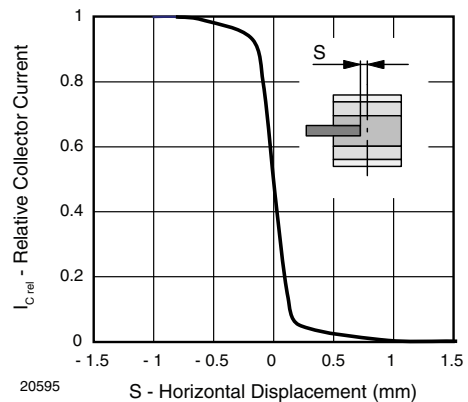


Fig. 12 - Relative Collector Current vs. Horizontal Displacement

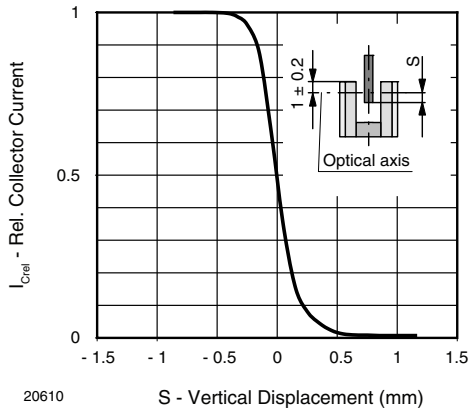


Fig. 13 - Relative Collector Current vs. Vertical Displacement

REFLOW SOLDER PROFILE

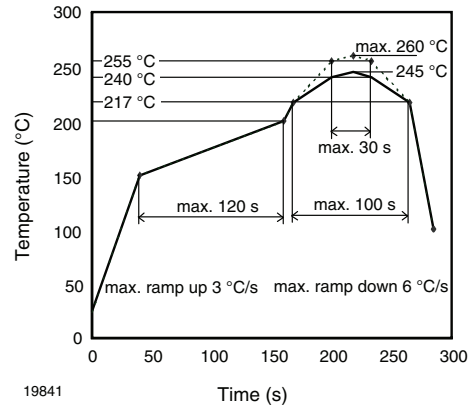


Fig. 16 - Lead (Pb)-free Reflow Solder Profile acc. J-STD-020

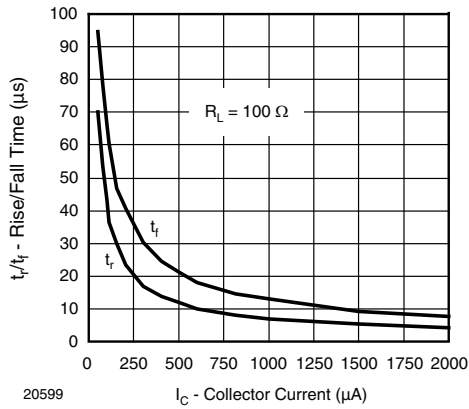


Fig. 14 - Rise/Fall Time vs. Collector Current

FLOOR LIFE

Level 1, acc. JEDEC, J-STD-020. No time limit.

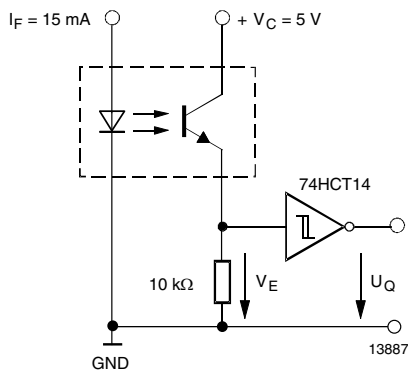
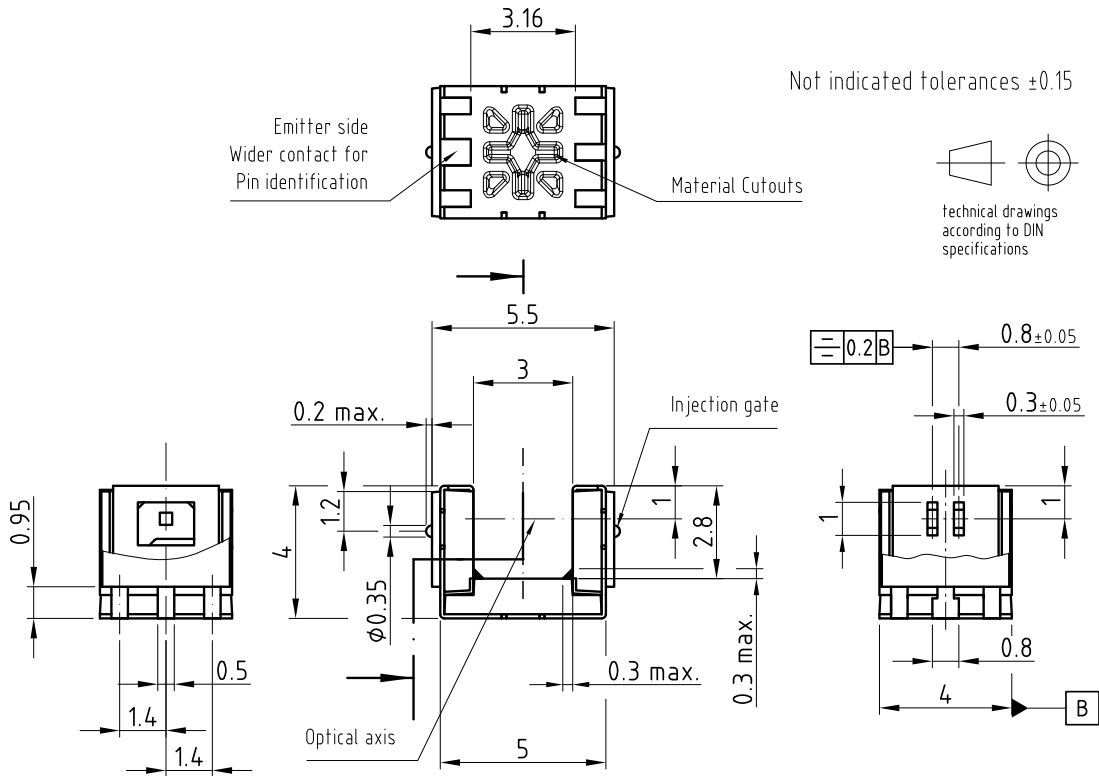


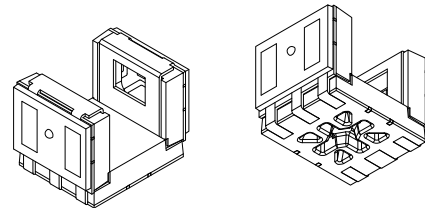
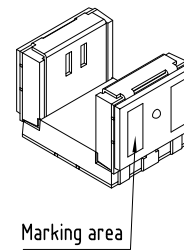
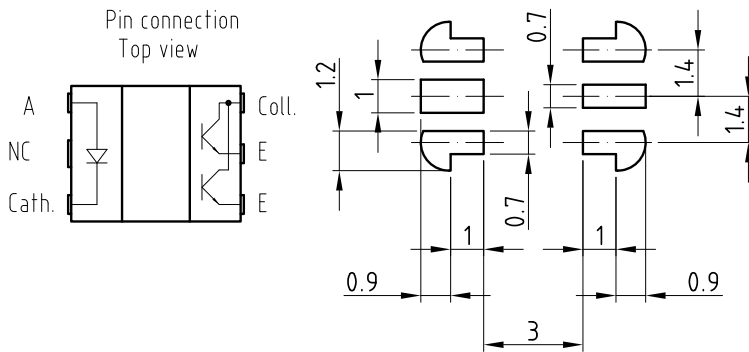
Fig. 15 - Application example



PACKAGE DIMENSIONS in millimeters



Proposed solderpad design



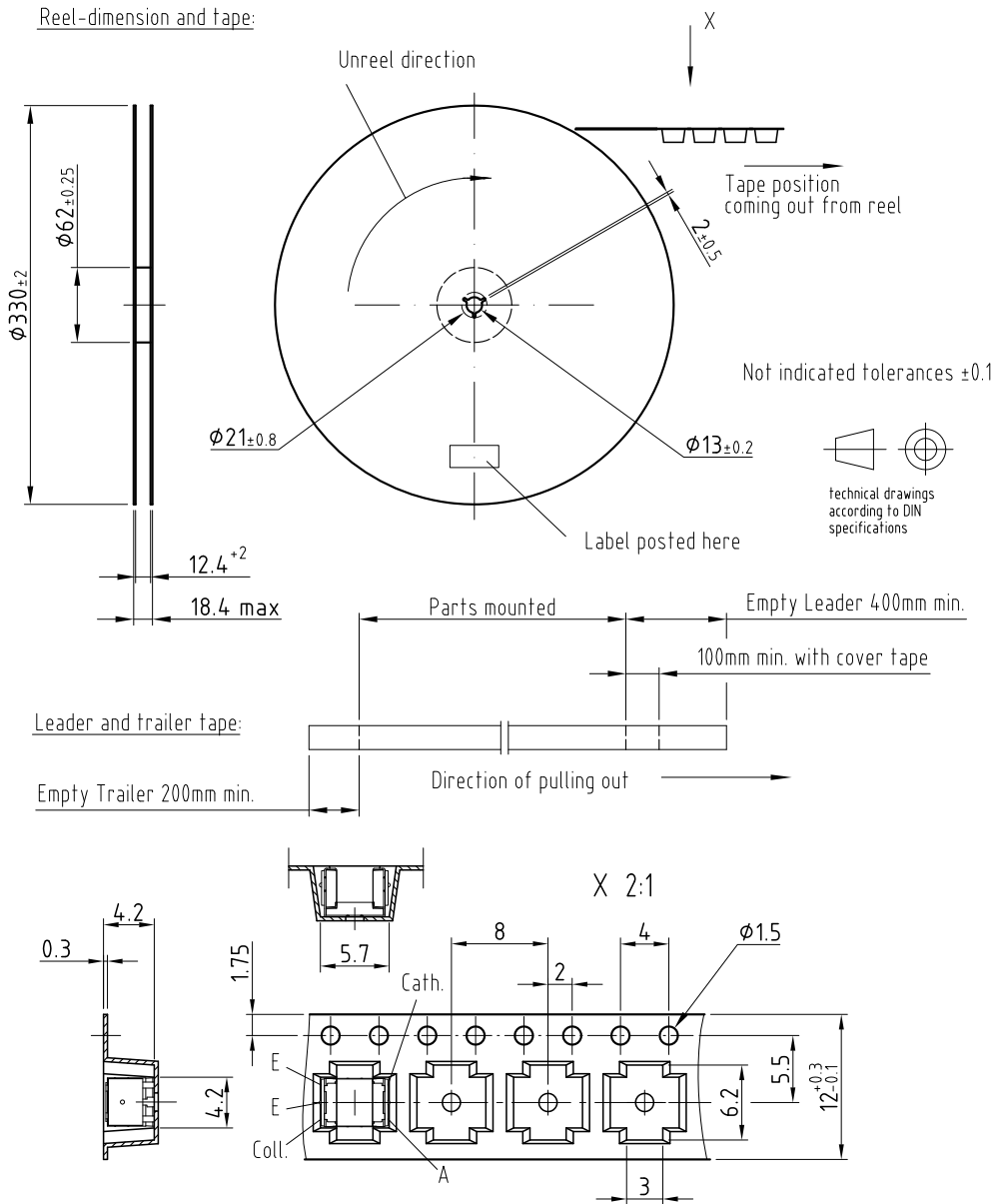
Drawing-No.: 6.541-5061.01-4

Issue: 6; 14.05.07

19536

PACKAGE DIMENSIONS in millimeters

Volume/reel = 2000 pcs



Drawing-No.: 9.800-5092.01-4

Issue: 1; 14.05.07

20611

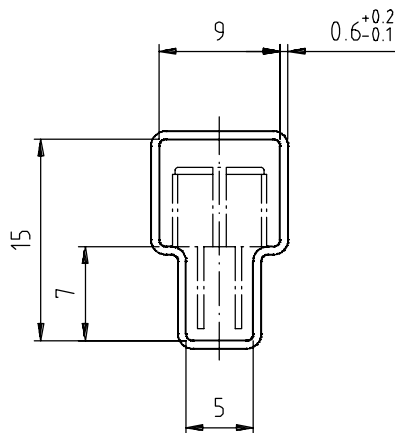
Packaging and Ordering Information

| PART NUMBER | MOQ ⁽¹⁾ | PCS PER TUBE | TUBE SPEC. (FIGURE) | CONSTITUENTS (FORMS) |
|---------------|--------------------|--------------|---------------------|----------------------|
| CNY70 | 4000 | 80 | 1 | 28 |
| TCPT1300X01 | 2000 | Reel | (2) | 29 |
| TCRT1000 | 1000 | Bulk | - | 26 |
| TCRT1010 | 1000 | Bulk | - | 26 |
| TCRT5000 | 4500 | 50 | 2 | 27 |
| TCRT5000L | 2400 | 48 | 3 | 27 |
| TCST1030 | 5200 | 65 | 5 | 24 |
| TCST1030L | 2600 | 65 | 6 | 24 |
| TCST1103 | 1020 | 85 | 4 | 24 |
| TCST1202 | 1020 | 85 | 4 | 24 |
| TCST1230 | 4800 | 60 | 7 | 24 |
| TCST1300 | 1020 | 85 | 4 | 24 |
| TCST2103 | 1020 | 85 | 4 | 24 |
| TCST2202 | 1020 | 85 | 4 | 24 |
| TCST2300 | 1020 | 85 | 4 | 24 |
| TCST5250 | 4860 | 30 | 8 | 24 |
| TCUT1300X01 | 2000 | Reel | (2) | 29 |
| TCZT8020-PAER | 2500 | Bulk | - | 22 |

Notes

- (1) MOQ: minimum order quantity
- (2) Please refer to datasheets

TUBE SPECIFICATION FIGURES



With rubber stopper

Tolerance: $\pm 0.5\text{mm}$

Length: $575 \pm 1\text{mm}$

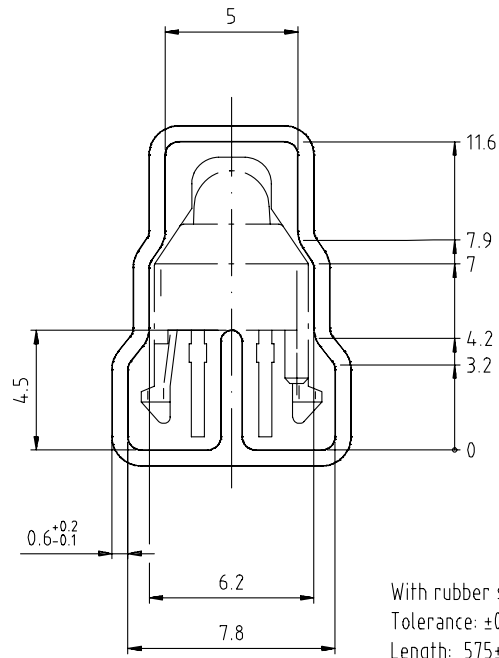
Drawing-No.: 9.700-5097.01-4
Issue: 1; 25.02.00

15198

Fig. 1

Packaging and Ordering Information

Vishay Semiconductors Packaging and Ordering Information



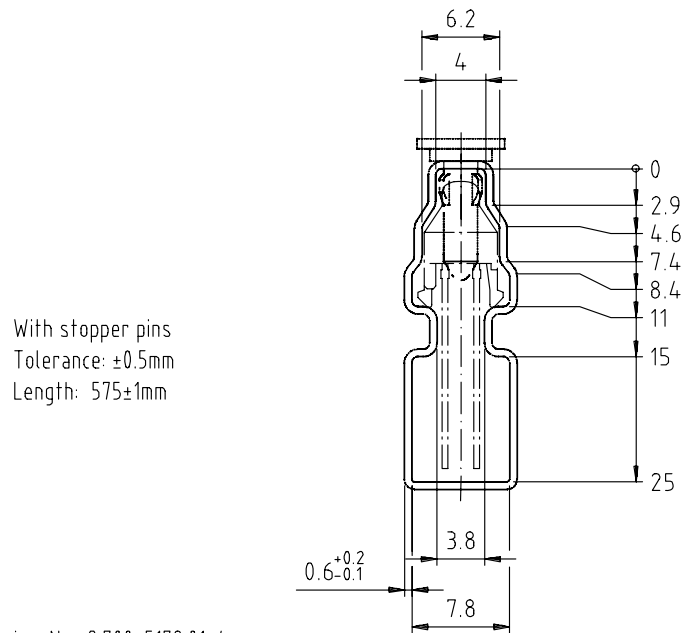
Drawing-No.: 9.700-5139.01-4
Issue: 1; 10.05.00

Drawing refers to following types: TCRT 5000

With rubber stopper
Tolerance: ±0.5mm
Length: 575±1mm

15210

Fig. 2

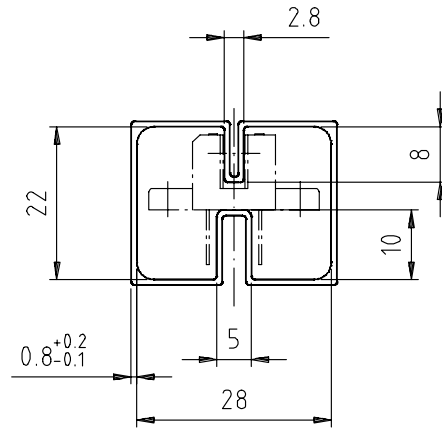


With stopper pins
Tolerance: ±0.5mm
Length: 575±1mm

Drawing-No.: 9.700-5178.01-4
Issue: 1; 25.02.00

15201

Fig. 3

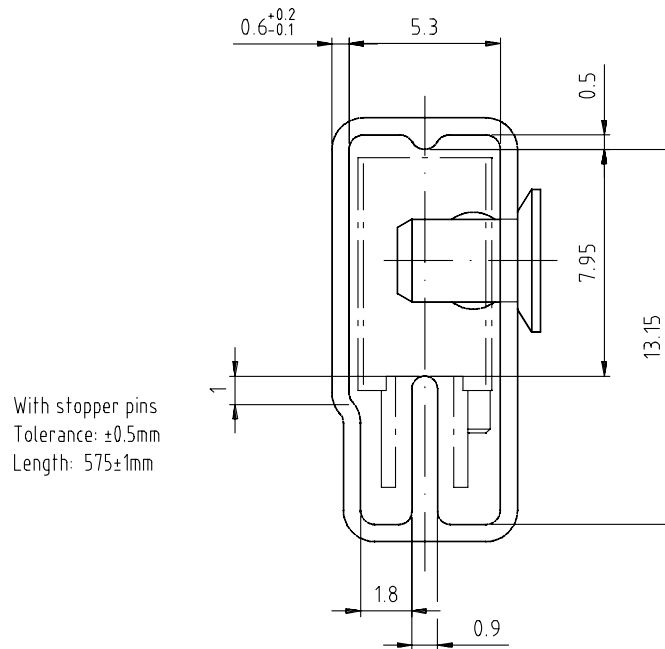


With rubber stopper
Tolerance: ±0.5mm
Length: 575±1mm

Drawing-No.: 9.700-5100.01-4
Issue: 1; 25.02.00

15199

Fig. 4



With stopper pins
Tolerance: ±0.5mm
Length: 575±1mm

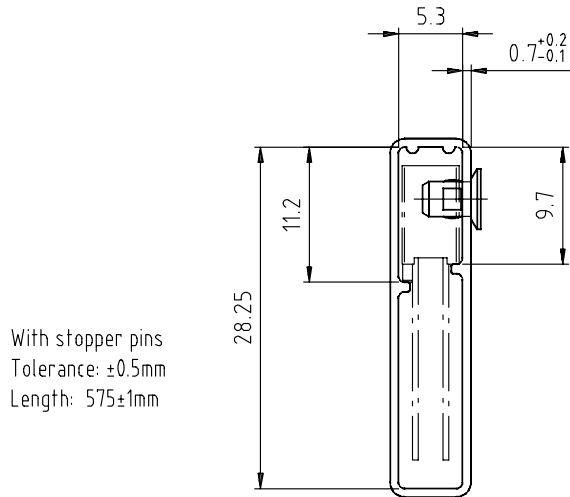
Drawing-No.: 9.700-5140.01-4
Issue: 1; 25.02.00

15202

Fig. 5

Packaging and Ordering Information

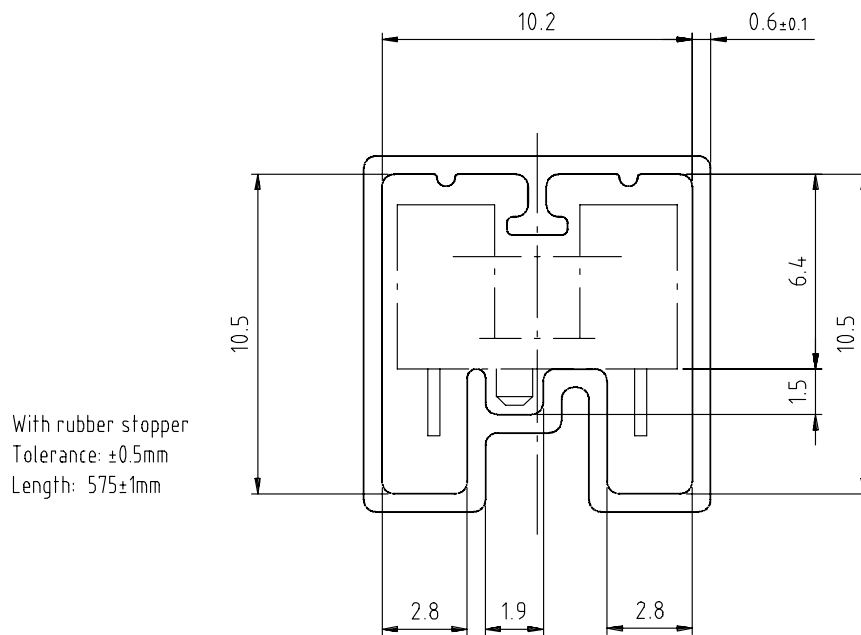
Vishay Semiconductors Packaging and Ordering Information



Drawing-No.: 9.700-5205.01-4
Issue: 1; 25.02.00

15196

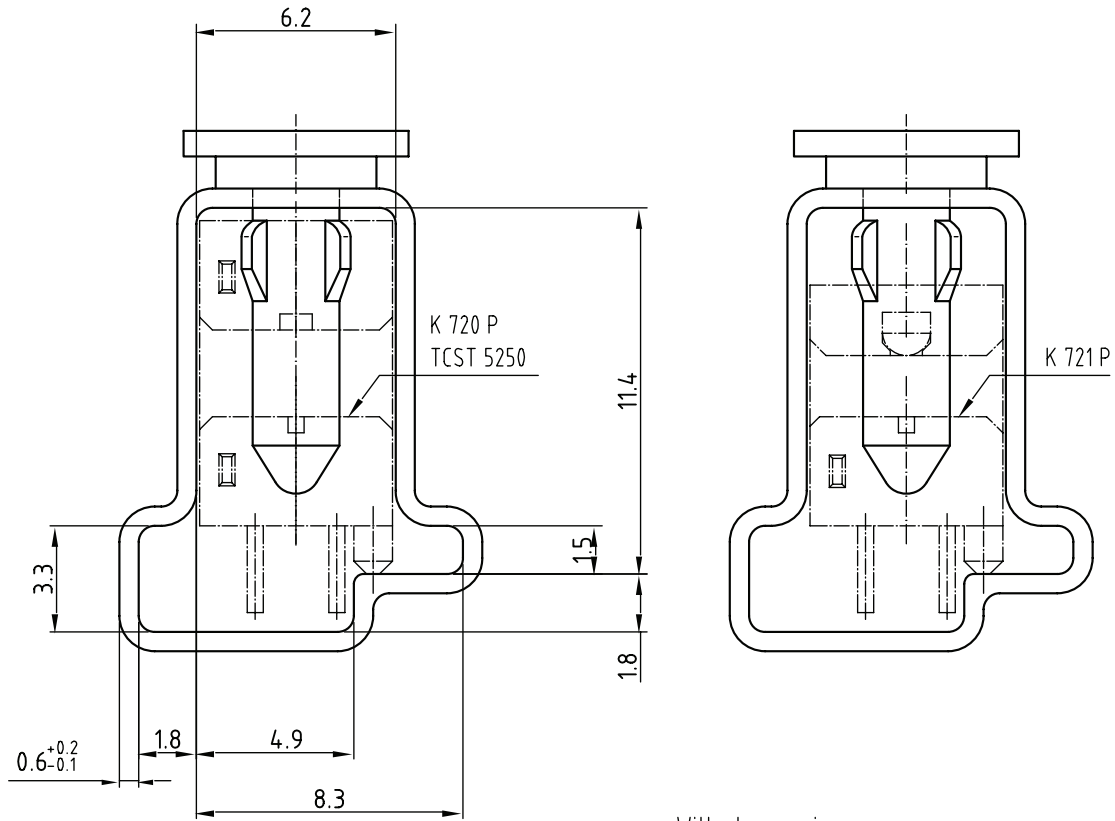
Fig. 6



Drawing-No.: 9.700-5245.01-4
Issue: 1; 25.02.00

15195

Fig. 7



Drawing-No.: 9.700-5222.01-4
 Issue: 2; 19.11.04
 20257

With stopper pins
 Tolerance: $\pm 0.5\text{mm}$
 Length: $450 \pm 1\text{mm}$
 All dimensions in mm

Fig. 8



Disclaimer

ALL PRODUCT, PRODUCT SPECIFICATIONS AND DATA ARE SUBJECT TO CHANGE WITHOUT NOTICE TO IMPROVE RELIABILITY, FUNCTION OR DESIGN OR OTHERWISE.

Vishay Intertechnology, Inc., its affiliates, agents, and employees, and all persons acting on its or their behalf (collectively, "Vishay"), disclaim any and all liability for any errors, inaccuracies or incompleteness contained in any datasheet or in any other disclosure relating to any product.

Vishay makes no warranty, representation or guarantee regarding the suitability of the products for any particular purpose or the continuing production of any product. To the maximum extent permitted by applicable law, Vishay disclaims (i) any and all liability arising out of the application or use of any product, (ii) any and all liability, including without limitation special, consequential or incidental damages, and (iii) any and all implied warranties, including warranties of fitness for particular purpose, non-infringement and merchantability.

Statements regarding the suitability of products for certain types of applications are based on Vishay's knowledge of typical requirements that are often placed on Vishay products in generic applications. Such statements are not binding statements about the suitability of products for a particular application. It is the customer's responsibility to validate that a particular product with the properties described in the product specification is suitable for use in a particular application. Parameters provided in datasheets and / or specifications may vary in different applications and performance may vary over time. All operating parameters, including typical parameters, must be validated for each customer application by the customer's technical experts. Product specifications do not expand or otherwise modify Vishay's terms and conditions of purchase, including but not limited to the warranty expressed therein.

Hyperlinks included in this datasheet may direct users to third-party websites. These links are provided as a convenience and for informational purposes only. Inclusion of these hyperlinks does not constitute an endorsement or an approval by Vishay of any of the products, services or opinions of the corporation, organization or individual associated with the third-party website. Vishay disclaims any and all liability and bears no responsibility for the accuracy, legality or content of the third-party website or for that of subsequent links.

Except as expressly indicated in writing, Vishay products are not designed for use in medical, life-saving, or life-sustaining applications or for any other application in which the failure of the Vishay product could result in personal injury or death. Customers using or selling Vishay products not expressly indicated for use in such applications do so at their own risk. Please contact authorized Vishay personnel to obtain written terms and conditions regarding products designed for such applications.

No license, express or implied, by estoppel or otherwise, to any intellectual property rights is granted by this document or by any conduct of Vishay. Product names and markings noted herein may be trademarks of their respective owners.

Looking for pricing, stock, or lifecycle information?

Click below to explore more details on WIN SOURCE:

 [View TCUT1350X01 on WIN SOURCE](#)

 [Vishay Information](#)

Optimize Your Supply Chain with WIN SOURCE Solutions

-  Global Sourcing Solution
-  Obsolete Management
-  Cost Control Management
-  Shortage Management
-  Alternative Solution
-  Excess Inventory Management