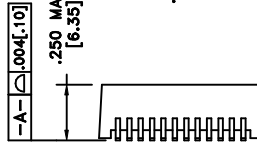
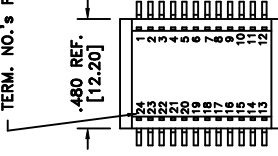
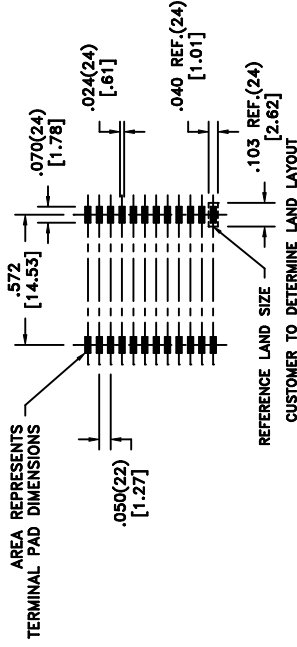


CUSTOMER TERMINAL	RoHS	LEAD(Pb)-FREE
Sn96% Ag4%	Yes	Yes

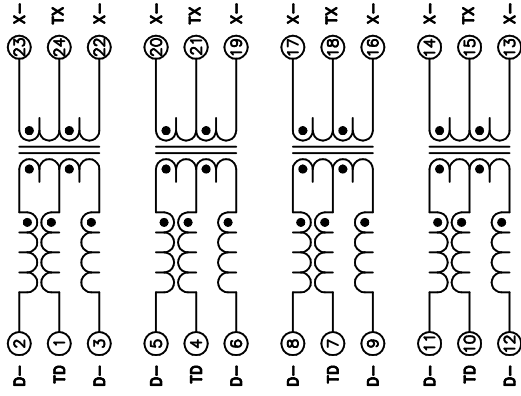
TERM. NO.'s FOR REF. ONLY



LOT CODE & DATE CODE



REFERENCE LAND SIZE
CUSTOMER TO DETERMINE LAND LAYOUT



REV.	DATE
PR6C	5/10
6B	2/10
6A	2/08

Packaging Specifications
Method: Tape & Reel
PKG-0653
www.midcom-inc.com

Tolerances unless otherwise specified:
Angles: ±1°
Fractions: ±1/64
Decimals: ±.005
Footprint: ±.005
Dimensions in brackets are in millimeters.

DRAWING TITLE
TRANSFORMER

eiSos p/n: 749022011



REVISIONS: SEE SHEET 1

ELECTRICAL SPECIFICATIONS @ 25°C U

PARAMETER	TEST CONDIT
D.C. RESISTANCE	1-2; 4-5; 7-8; 10-11 @25°C
D.C. RESISTANCE	2-3; 5-6; 8-9; 11-12 @25°C
D.C. RESISTANCE	13-14; 16-17; 19-20; 22-23 @25°C
D.C. RESISTANCE	14-15; 17-18; 20-21; 23-24 @25°C
INDUCTANCE	23-22 100kHz, 100mVAC, 1
INDUCTANCE	20-19 100kHz, 100mVAC, 1
INDUCTANCE	17-16 100kHz, 100mVAC, 1
INDUCTANCE	14-13 100kHz, 100mVAC, 1
DIELECTRIC	1-24 tie(1+4+7+10, 15+18) 1800Vrms, 1 s
TURNS RATIO	(2-3):(23-2)
TURNS RATIO	(5-6):(20-1)
TURNS RATIO	(8-9):(17-1)
TURNS RATIO	(11-12):(14-13)
INSERTION LOSS	300k - 100M
RETURN LOSS	500kHz - 40M
RETURN LOSS	40M - 80M
RETURN LOSS	60M - 80M
RETURN LOSS	80M - 100M
CROSSTALK	300kHz - 10M
CMRR	300k - 32M
CMRR	32M - 100M

GENERAL SPECIFICATIONS:
OPERATING TEMPERATURE RANGE: -40°C to +85°C
Designed to comply with POE+ requirements
COPPLANARITY: All 24 terminals must lie on
of Surface A after lead tinning

Looking for pricing, stock, or lifecycle information?

Click below to explore more details on WIN SOURCE:

 [View 749022011 on WIN SOURCE](#)

 [Wurth Electronics Inc Information](#)

Optimize Your Supply Chain with WIN SOURCE Solutions

-  Global Sourcing Solution
-  Obsolete Management
-  Cost Control Management
-  Shortage Management
-  Alternative Solution
-  Excess Inventory Management