



**THE DATASHEET OF
LTC1696IS6#TRPBF**



FEATURES

- **±2% Overvoltage Threshold Accuracy**
- **Low Profile (1mm) ThinSOT™ Package**
- Gate Drive for SCR Crowbar or External N-Channel Disconnect MOSFET
- Monitors Two Output Voltages
- Senses Output Voltages from 0.8V to 24V
- Wide Supply Range: 2.7V to 27V
- Multifunction TIMER/RESET Pin

APPLICATIONS

- Telecommunication Systems
- Computer Systems
- Industrial Control Systems
- Notebook Computers

DESCRIPTION

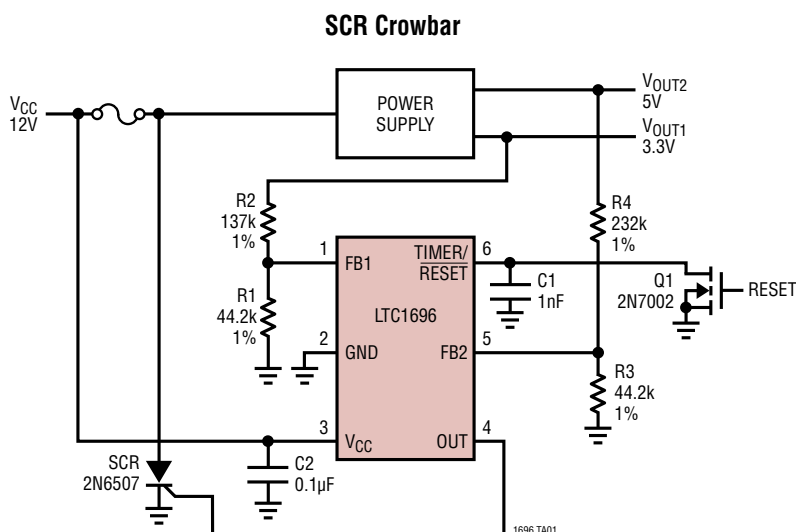
The **LTC®1696** is a standalone power supply overvoltage monitor and protection device designed to protect a power supply load in the event of an overvoltage fault. It monitors two adjustable output voltages. If an overvoltage condition is detected, the output drives either an external SCR crowbar or turns off external back-to-back N-channel MOSFETs, thereby, disconnecting the input voltage from the power supply.

Pin 6 offers three functions. By connecting a capacitor to this pin, the internal glitch filter time delay can be programmed. Without the capacitor, the default time delay is determined by an internal capacitor. This pin also serves as a reset input to clear the internal latch after an overvoltage fault condition. By pulling it high, the OUT pin is activated if the FB1 and FB2 voltages remain below the trip threshold.

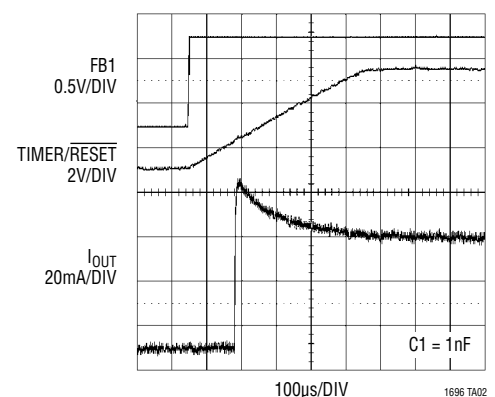
The LTC1696 is available in the low profile (1mm) ThinSOT package.

LT, LT, LTC, LTM, Linear Technology and the Linear logo are registered trademarks of Linear Technology Corporation. ThinSOT is a trademark of Linear Technology Corporation. All other trademarks are the property of their respective owners.

TYPICAL APPLICATION



Overvoltage Response



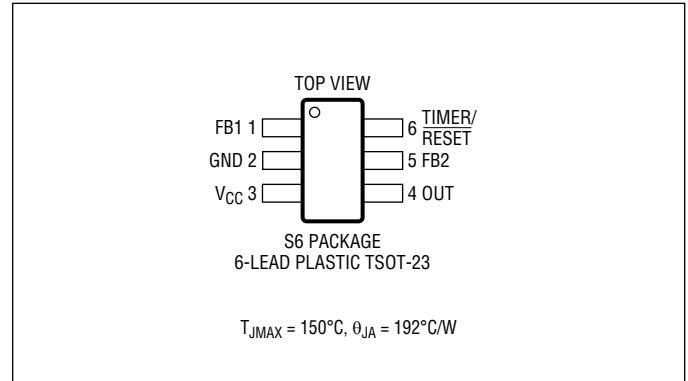
LTC1696

ABSOLUTE MAXIMUM RATINGS

(Note 1)

Supply Voltage (V_{CC})28V
Input Voltage	
FB1, FB2 -0.3V to 17V
TIMER/RESET -0.3V to 17V
Operating Junction Temperature Range (Note 2)	
LTC1696E -40°C to 125°C
LTC1696I -40°C to 125°C
LTC1696H -40°C to 150°C
Storage Temperature Range -65°C to 150°C
Lead Temperature (Soldering, 10 sec) 300°C

PIN CONFIGURATION



ORDER INFORMATION

LEAD FREE FINISH	TAPE AND REEL	PART MARKING	PACKAGE DESCRIPTION	TEMPERATURE RANGE
LTC1696ES6#PBF	LTC1696ES6#TRPBF	LTLT	6-Lead Plastic TSOT-23	-40°C to 125°C
LTC1696IS6#PBF	LTC1696IS6#TRPBF	LTLT	6-Lead Plastic TSOT-23	-40°C to 125°C
LTC1696HS6#PBF	LTC1696HS6#TRPBF	LTLT	6-Lead Plastic TSOT-23	-40°C to 150°C

Consult LTC Marketing for parts specified with wider operating temperature ranges. *The temperature grade is identified by a label on the shipping container. Consult LTC Marketing for information on nonstandard lead based finish parts.

For more information on lead free part marking, go to: <http://www.linear.com/leadfree/>

For more information on tape and reel specifications, go to: <http://www.linear.com/tapeandreel/>

ELECTRICAL CHARACTERISTICS

The ● denotes the specifications which apply over the specified operating junction temperature range, otherwise specifications are at $T_A = 25^\circ\text{C}$. $2.7\text{V} \leq V_{CC} \leq 27\text{V}$ (Notes 2, 3, 4) unless otherwise noted.

SYMBOL	PARAMETER	CONDITIONS	MIN	TYP	MAX	UNITS	
V_{CC}	Supply Voltage Range	Operating Range	● 2.7		27	V	
I_{VCC}	Standby Supply Current	FB1, FB2 < V_{FB}	●	170	540	μA	
	Active Supply Current	FB1, FB2 > V_{FB} , $C_{OUT} = 1000\text{pF}$	●	1.1	3.5	mA	
V_{FB}	FB1, FB2 Feedback Threshold	Voltage Going Positive $T_A \geq 0^\circ\text{C}$ and $T_A \leq 85^\circ\text{C}$	●	0.862	0.880	0.898	V
		$T_A \geq 0^\circ\text{C}$ and $T_A \leq 125^\circ\text{C}$	●	0.858	0.880	0.898	V
		$T_A \geq 0^\circ\text{C}$ and $T_A \leq 150^\circ\text{C}$	●	0.853	0.880	0.898	V
		$T_A < 0^\circ\text{C}$	●	0.853	0.880	0.907	V
I_{FB}	FB1, FB2 Input Current		●	-1	-0.05	μA	
V_{FBHST}	FB1, FB2 Feedback Hysteresis	High-to-Low Transition		12		mV	
V_{LKO}	V_{CC} Undervoltage Lockout Low-to-High Transition High-to-Low Transition		●	1.75	2.05	2.35	V
			●	1.64	1.94	2.24	V
V_{LKH}	V_{CC} Undervoltage Lockout Hysteresis	FB1, FB2 > V_{FB}		110		mV	
V_{RST}	TIMER/RESET Reset Low Threshold	FB1, FB2 > V_{FB}	●	0.78	0.865	0.95	V
V_{TIM}	TIMER/RESET Timer High Threshold	FB1, FB2 > V_{FB} , $T_A \leq 85^\circ\text{C}$	●	1.11	1.185	1.26	V
		$T_A \leq 125^\circ\text{C}$	●	1.08	1.185	1.26	V
		$T_A \leq 150^\circ\text{C}$	●	1.07	1.185	1.26	V

1696fb

ELECTRICAL CHARACTERISTICS

The ● denotes the specifications which apply over the specified operating junction temperature range, otherwise specifications are at $T_A = 25^\circ\text{C}$. $2.7\text{V} \leq V_{CC} \leq 27\text{V}$ (Notes 2, 3, 4) unless otherwise noted.

SYMBOL	PARAMETER	CONDITIONS	MIN	TYP	MAX	UNITS	
V_{TRIG}	TIMER/RESET External Trigger High Threshold	FB1, FB2 < V_{FB}	● 1.35	1.50	1.65	V	
I_{TRIG}	TIMER/RESET External Trigger High Current	FB1, FB2 < V_{FB} , TIMER/RESET = V_{TRIG}	●	260	650	μA	
I_{TIM}	TIMER/RESET Timer Current	FB1 = ($V_{FB} + 30\text{mV}$), FB2 < V_{FB}	●	4	10	22	μA
		FB1 = ($V_{FB} + 200\text{mV}$), FB2 < V_{FB}	●	5	12	26	μA
		FB2 = ($V_{FB} + 30\text{mV}$), FB1 < V_{FB}	●	4	10	22	μA
		FB2 = ($V_{FB} + 200\text{mV}$), FB1 < V_{FB}	●	5	12	26	μA
		FB1, FB2 = ($V_{FB} + 200\text{mV}$)	●	8	18	40	μA
V_{OUTH}	OUT High Voltage	$12\text{V} \leq V_{CC} \leq 27\text{V}$, FB1, FB2 > V_{FB} , $C_{OUT} = 1000\text{pF}$	●	4.8	6.3	8.0	V
		$V_{CC} = 3.3\text{V}$, FB1, FB2 > V_{FB} , $C_{OUT} = 1000\text{pF}$	●	2.7	3.2	3.3	V
V_{OUTL}	OUT Low Voltage	FB1, FB2 < V_{FB} , $I_{SINK} = 1\text{mA}$, $V_{CC} = 3.3\text{V}$	●		0.45	V	
t_{OVPD1}	OUT Propagation Delay for FB1	FB1 > V_{FB} , FB2 < V_{FB} , TIMER/RESET = Open, $C_{OUT} = 1000\text{pF}$	●	7	28	μs	
t_{OVPD2}	OUT Propagation Delay for FB2	FB2 > V_{FB} , FB1 < V_{FB} , TIMER/RESET = Open, $C_{OUT} = 1000\text{pF}$	●	7	28	μs	
$t_{OVPD1,2}$	OUT Propagation Delay for FB1, FB2	FB1, FB2 > V_{FB} , TIMER/RESET = Open, $C_{OUT} = 1000\text{pF}$	●	6	24	μs	
t_r	OUT Rise Time	FB1, FB2 > V_{FB} , $C_{OUT} = 1000\text{pF}$	●	0.4	3	μs	
I_{OUTSC}	OUT Short-Circuit Current	$12\text{V} \leq V_{CC} \leq 27\text{V}$, FB1, FB2 > V_{FB} , V_{OUT} Shorted to GND	●	35	80	160	mA
		$V_{CC} = 2.7\text{V}$, FB1, FB2 > V_{FB} , V_{OUT} Shorted to GND	●	2	9	18	mA

Note 1: Absolute Maximum Ratings are those values beyond which the life of the device may be impaired.

Note 2: The 1696E is guaranteed to meet performance specifications from 0°C to 85°C . Specifications over the -40°C to 125°C operating junction temperature range are assured by design, characterization and correlation with statistical process controls. The LTC1696I is guaranteed from -40°C to 125°C , and the LTC1696H is guaranteed over the -40°C to 150°C operating junction temperature range. High junction temperatures degrade operating lifetime; operating lifetime is derated for temperatures greater than 125°C . The maximum ambient temperature consistent with

these specifications is determined by specific operating conditions in conjunction with board layout, the package thermal impedance and other environmental factors. T_J is calculated from the ambient temperature, T_A , and power dissipation, P_D , according to the following formula:

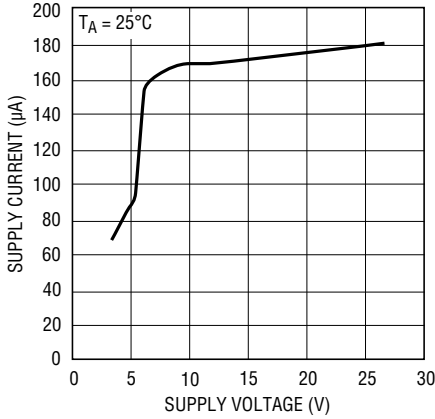
$$\text{LTC1696S6: } T_J = T_A + (P_D \cdot 192^\circ\text{C/W})$$

Note 3: All currents into device pins are positive; all currents out of device pins are negative. All voltages are referenced to device ground unless otherwise specified.

Note 4: All typical numbers are given for $V_{CC} = 12\text{V}$ and $T_A = 25^\circ\text{C}$.

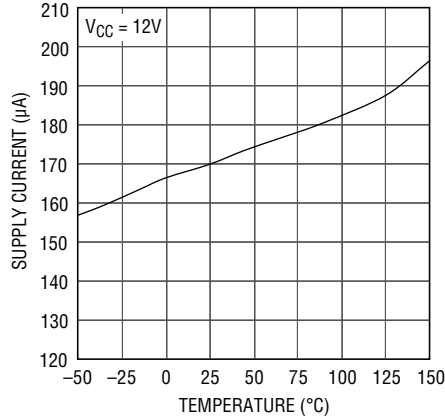
TYPICAL PERFORMANCE CHARACTERISTICS

Standby Supply Current vs Supply Voltage



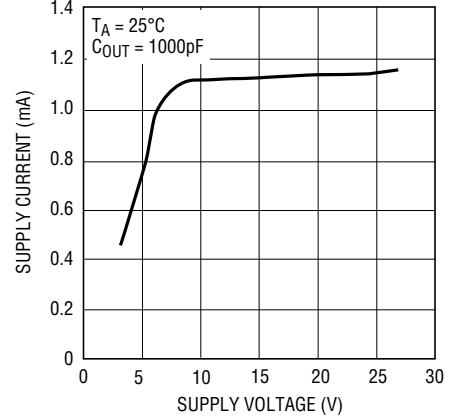
1696 G01

Standby Supply Current vs Temperature



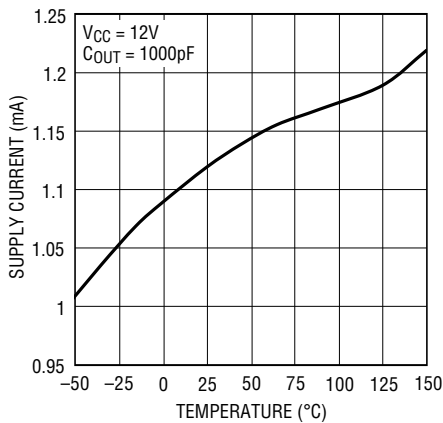
1696 G02

Active Supply Current vs Supply Voltage



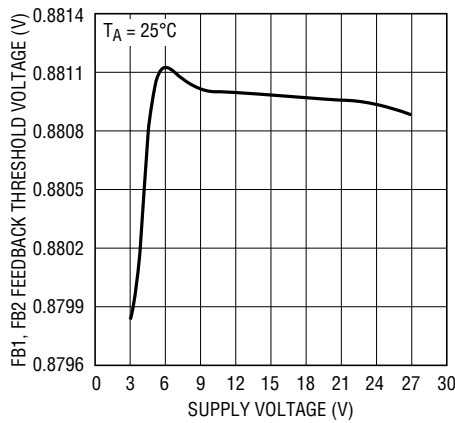
1696 G03

Active Supply Current vs Temperature



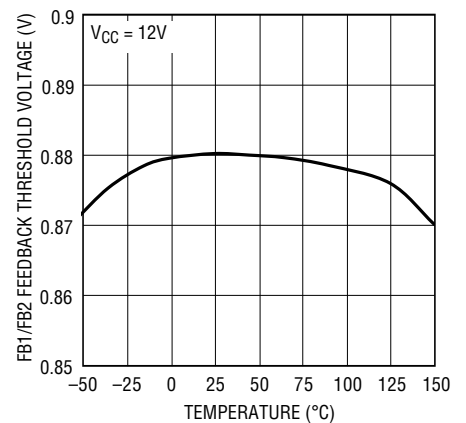
1696 G04

FB1, FB2 Feedback Threshold Voltage vs Supply Voltage



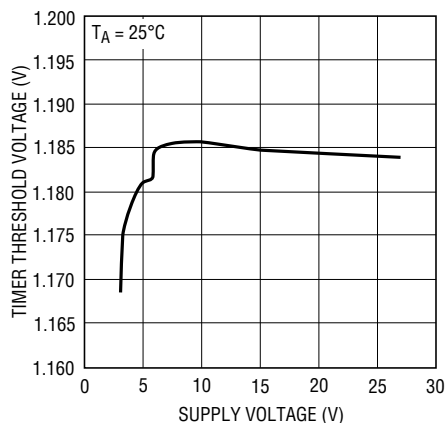
1696 G05

FB1, FB2 Feedback Threshold Voltage vs Temperature



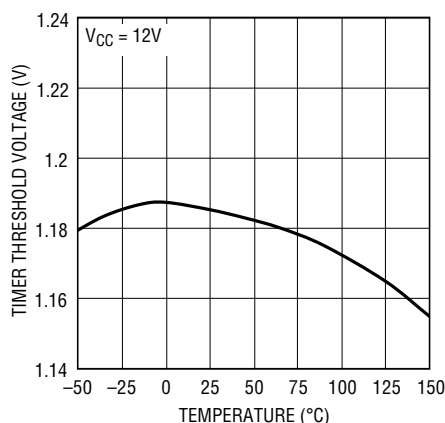
1696 G06

TIMER Threshold Voltage vs Supply Voltage



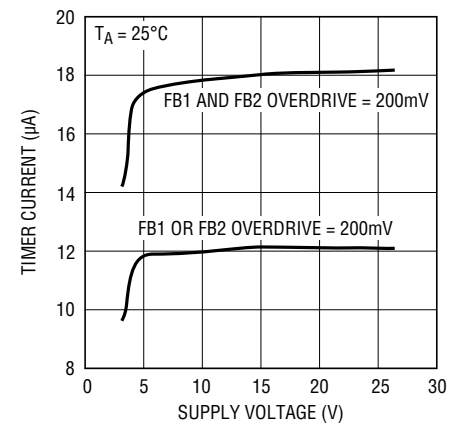
1696 G07

TIMER Threshold Voltage vs Temperature



1696 G08

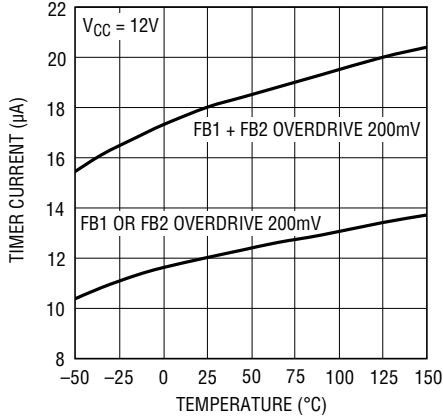
TIMER Current vs Supply Voltage



1696 G09

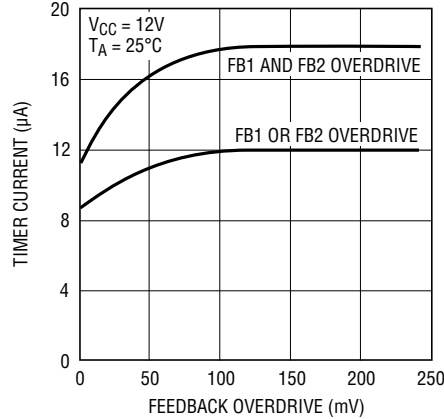
TYPICAL PERFORMANCE CHARACTERISTICS

TIMER Current vs Temperature



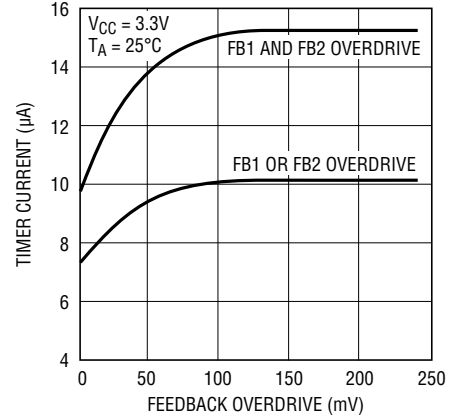
1696 G10

TIMER Current vs Feedback Overdrive



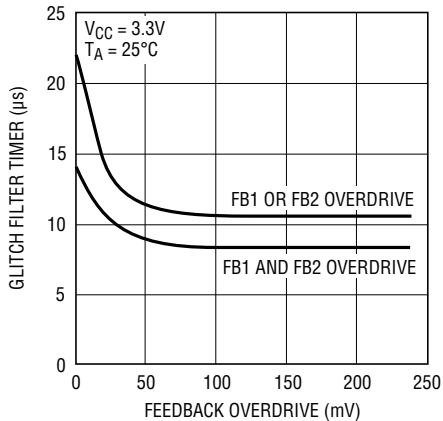
1696 G11

TIMER Current vs Feedback Overdrive



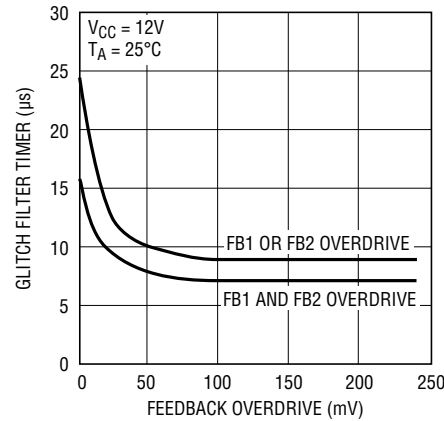
1696 G12

Glitch Filter Timer vs Feedback Overdrive



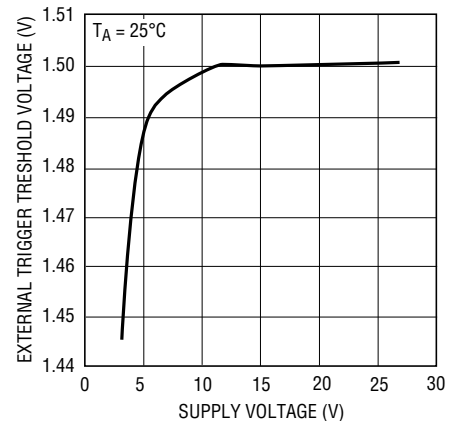
1696 G13

Glitch Filter Timer vs Feedback Overdrive



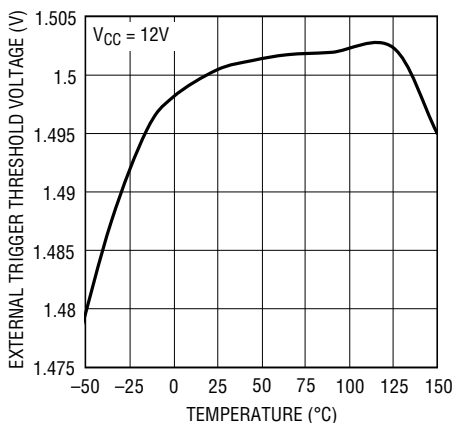
1696 G14

External Trigger Threshold Voltage vs Supply Voltage



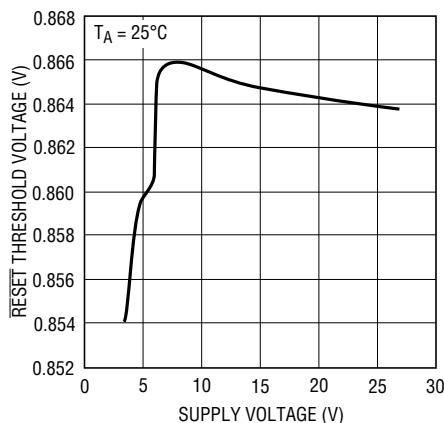
1696 G15

External Trigger Threshold Voltage vs Temperature



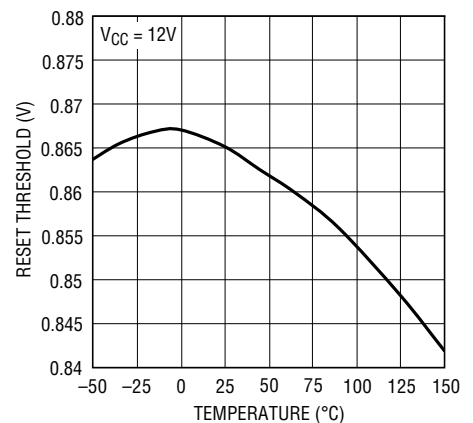
1696 G16

RESET Threshold Voltage vs Supply Voltage



1696 G17

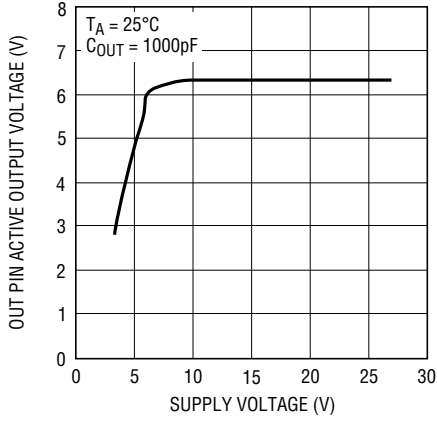
RESET Threshold Voltage vs Temperature



1696 G18

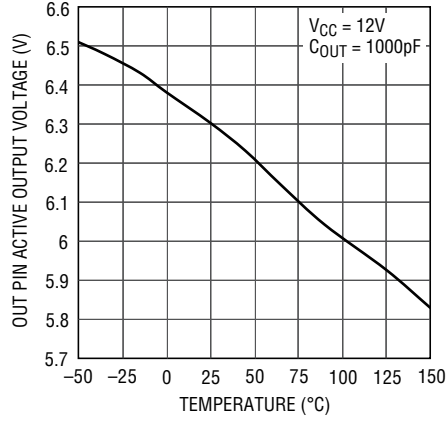
TYPICAL PERFORMANCE CHARACTERISTICS

OUT Pin Active Output Voltage vs Supply Voltage



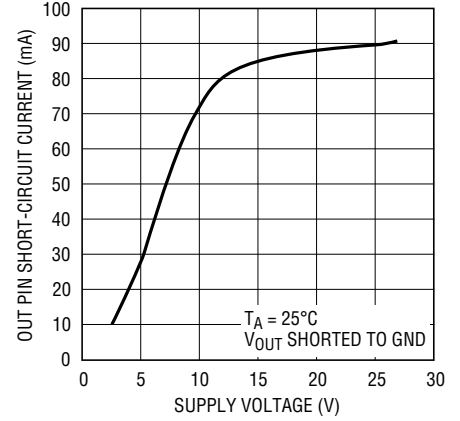
1696 G19

OUT Pin Active Output Voltage vs Temperature



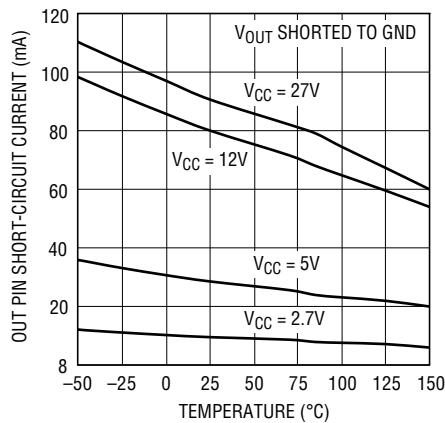
1696 G20

OUT Pin Short-Circuit Current vs Supply Voltage



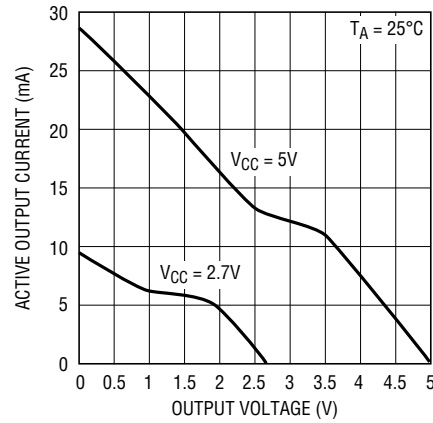
1696 G21

OUT Pin Short-Circuit Current vs Temperature



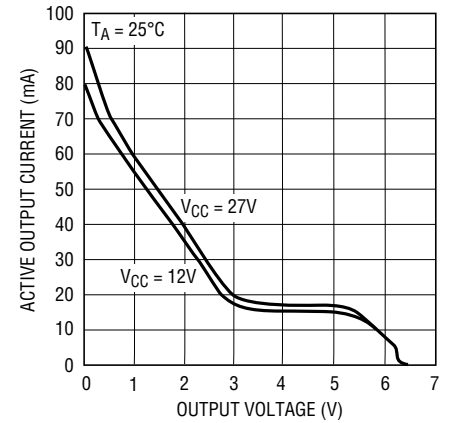
1696 G10

OUT Pin Active Output Current vs Output Voltage



1696 G23

OUT Pin Active Output Current vs Output Voltage



1696 G24

PIN FUNCTIONS

FB1 (Pin 1): First Feedback Input. FB1 monitors and senses the first supply output voltage through an external resistor divider. This voltage is then compared with an internal reference voltage of 0.88V, which sets the threshold for an overvoltage fault detection. If the sense voltage exceeds the threshold level, the output response time at the OUT pin is dependent on the feedback overdrive above the threshold level. The higher the feedback overdrive, the faster will be the response time.

GND (Pin 2): Power Ground. Return path for all device currents.

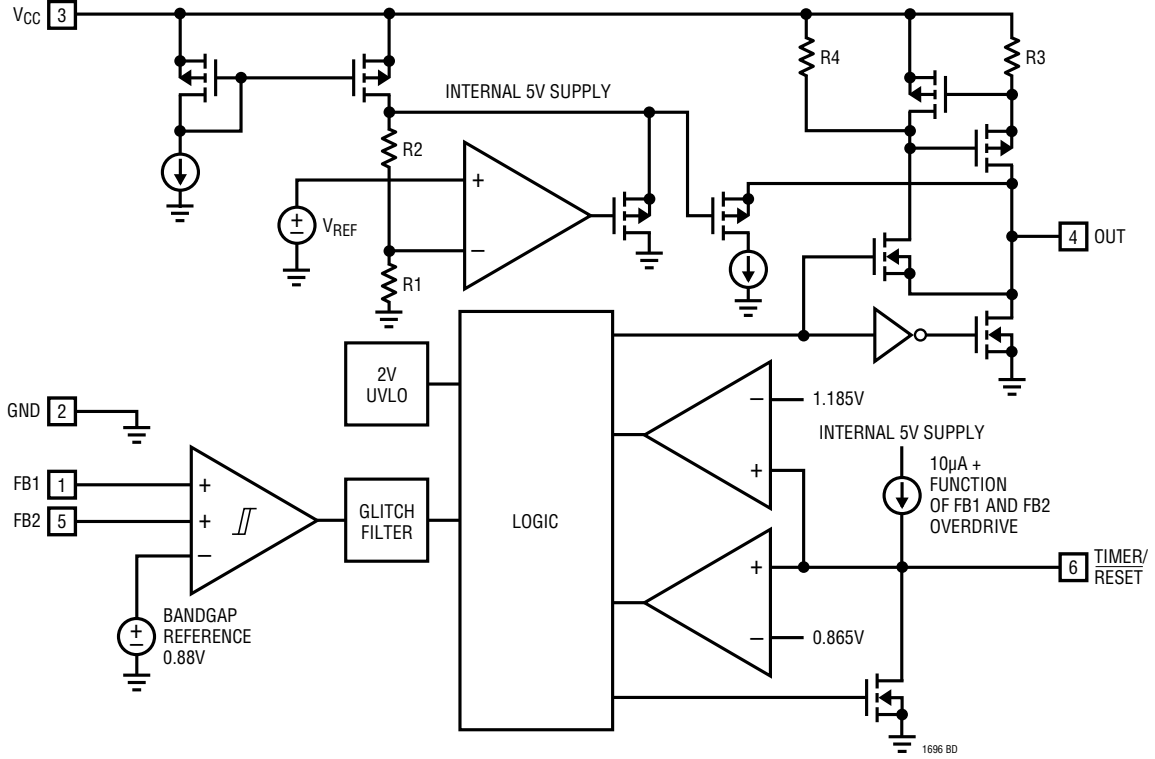
VCC (Pin 3): Power Supply. The pin is connected separately from the power supply output that the chip is monitoring. Its input range is from 2.7V to 27V. The quiescent current is typically 100 μ A in standby mode when the device is operating at 5V. The quiescent current increases to 170 μ A when operating at 12V.

OUT (Pin 4): Output Current Limit Driver. Capable of delivering continuous current, typically 80mA, at high supplies. The output current decreases with lower supply voltage. This pin directly drives the SCR crowbar at high supply voltage. It can also provide gate drive for an N-channel MOSFET or the base of an NPN transistor, which drives the gate of an external SCR at low supply voltage. It is normally in the inactive low state in the standby mode. In the event of an overvoltage fault condition, the OUT pin is latched into the active high state. The latched active high state is reset by pulling the $\overline{\text{TIMER/RESET}}$ pin low through an N-channel MOSFET switch or if the supply voltage at the V_{CC} pin goes below the undervoltage lockout threshold voltage of 1.94V.

FB2 (Pin 5): Second Feedback Input. FB2 monitors and senses the second supply output voltage through an external resistor divider. This voltage is then compared with an internal reference voltage of 0.88V, which sets the threshold for an overvoltage fault detection. If the sense voltage exceeds the threshold level, the output response time at the OUT pin is dependent on the feedback overdrive above the threshold level. The higher the feedback overdrive, the faster will be the response time.

$\overline{\text{TIMER/RESET}}$ (Pin 6): Glitch Filter Timer Capacitor, Reset and External Trigger Input. The external capacitor connected to this pin programs the internal glitch filter time delay. The internal current source used to charge the timer capacitor is typically 10 μ A with feedback overdrive of less than 20mV above the feedback trip threshold from one feedback input. The current source increases to 12 μ A when the feedback overdrive increases to more than 100mV. It further increases to 18 μ A if larger overdrive occurs from both feedback inputs. The default glitch filter time delay without an external timer capacitor is fixed by an internal capacitor of 5pF with the internal reference voltage of 1.185V. The delay reduces with increases in first and second feedback input overdrive. This pin also serves as a reset input to clear the internal latch during an overvoltage fault condition. If pulled low, it resets the active high state of the internal latch. The reset signal to this pin should be an open drain type. This pin can also be driven high externally to activate the OUT pin active high if the FB1 and FB2 voltages remain below the feedback trip threshold.

BLOCK DIAGRAM



APPLICATIONS INFORMATION

Feedback Inputs

The LTC1696 has two feedback inputs that allow monitoring of two output voltages. The trip point of the internal comparator is set by an internal reference of 0.88V with $\pm 2\%$ accuracy. The output voltage, V_S , is sensed through an external resistor divider network (Figure 1). The resistors R1 and R2 values are calculated with the typical trip point of 0.88V.

$$\frac{R1}{R1+R2} \cdot V_S = 0.88$$

$$R2 = \frac{(V_S - 0.88) \cdot R1}{0.88}$$

As an example, let's calculate values for R1 and R2 for a 3.3V supply in which an overvoltage indication is required at +10% (3.63V). First, a value for R1 is chosen based on the allowable resistor divider string current. This is determined by power dissipation requirements and possible sensitivity to noise coupling into the resistor divider. In this exercise, assume the resistor divider current is 20 μ A. R1 is calculated from:

$$R1 = \frac{V_{FB}}{I_{DIVIDER}} = \frac{0.88V}{20\mu A} = 44k$$

The nearest 1% value for R1 is 44.2k. Now, calculating for R2 yields:

$$R2 = \frac{44.2k \cdot (3.63V - 0.88V)}{0.88V} = 138.1k$$

Choosing the nearest 1% value yields 137k.

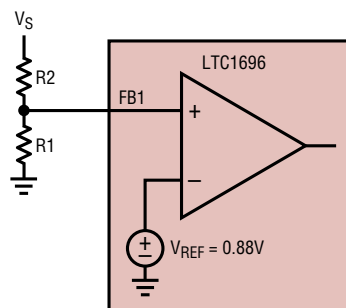


Figure 1

The chosen values for R1 and R2 yield an overvoltage threshold of 3.608V (+9.3%). With worst-case tolerances applied, the minimum overvoltage threshold is 3.481V (+5.5%) and the maximum overvoltage threshold is 3.738V (+13.3%).

Reset Function

In the event of an overvoltage condition, the OUT pin of the LTC1696 is latched into an active high state. The internal latch is reset by pulling the TIMER/RESET pin low through an external N-channel MOSFET switch or pulling V_{CC} voltage below the UVLO trip point of 1.94V.

APPLICATIONS INFORMATION

Glitch Filter Timer

The LTC1696 has a programmable glitch filter to prevent the output from entering its active high latched condition if transients occur on the FB1 or FB2 pins. The filter time delay is programmed externally by an external capacitor C1 connected to the TIMER/RESET pin.

$$\text{The time delay is given by: } t_D = \frac{C1 \cdot V_{INT}}{I_{CHG}}$$

where V_{INT} is the internal reference voltage of 1.185V and I_{CHG} is the internal current source charging the external capacitor C1. The current source I_{CHG} charging the external timer capacitor is 10 μ A for small feedback transients and increases to 12 μ A for large feedback transients (greater than 100mV) from one feedback input. The charging current increases to 18 μ A for large feedback transients from both feedback inputs.

SCR Crowbar

The LTC1696 can deliver continuous output current typically 80mA at high supply voltage to trigger an external SCR crowbar in the event of an overvoltage condition as shown in the typical application on the front page of the data sheet. The output current decreases when the supply voltage reduces. It delivers 25mA at a supply voltage of 5V. At a low supply voltage of 3.3V, the output current reduces to 10mA and an external NPN emitter follower is needed to boost the current in order to drive the SCR crowbar as shown in Figure 2. The power dissipation due to the high output current at high supply voltage can potentially exceed the thermal limit of the package. This is avoided by resetting the device rapidly when the external SCR crowbar has been triggered, so that the device is not kept in the active high state for too long.

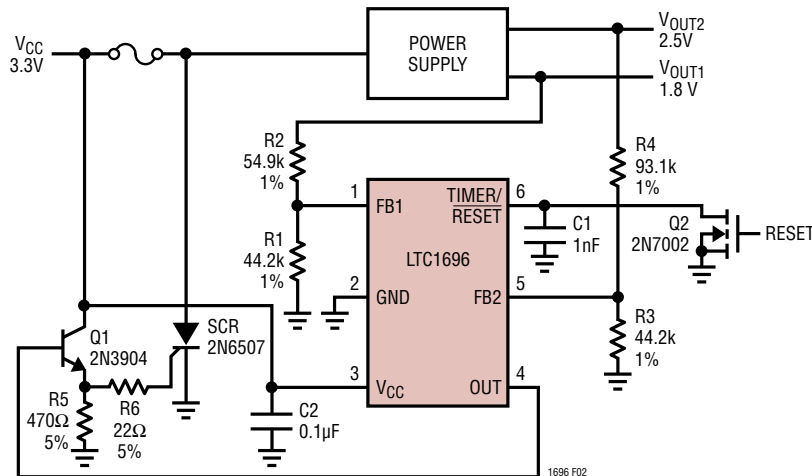


Figure 2. External SCR with NPN Emitter Follower with Low Voltage Supplies

APPLICATIONS INFORMATION

Back-to-Back N-Channel MOSFET

A power management circuit that uses the LTC1696 to control external back-to-back N-channel MOSFET at low supply voltage is shown in Figure 3. In standby mode, the drain of the external N-channel MOSFET, Q1, is pulled high

by the power management controller when the LTC1696 OUT pin is in the low state. The LTC1696 drives the gate of Q1 high during an overvoltage fault condition. This pulls the drain of Q1 low and turns off the back-to-back N-channel MOSFETs.

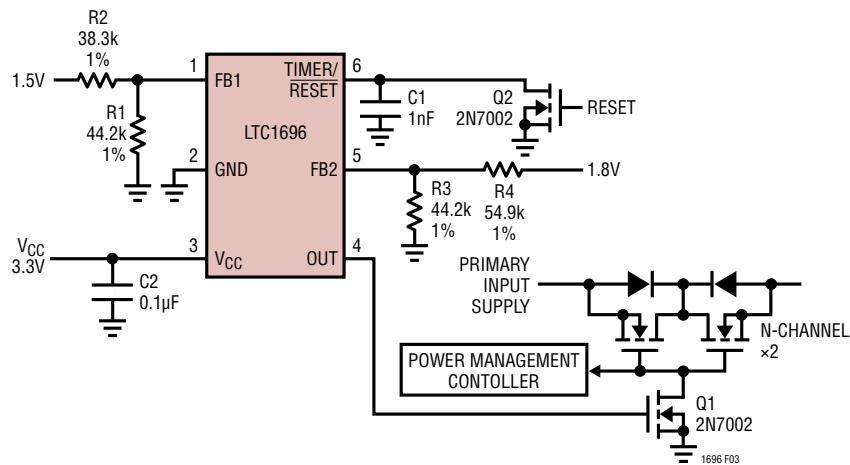
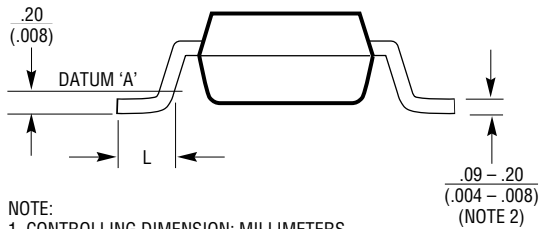
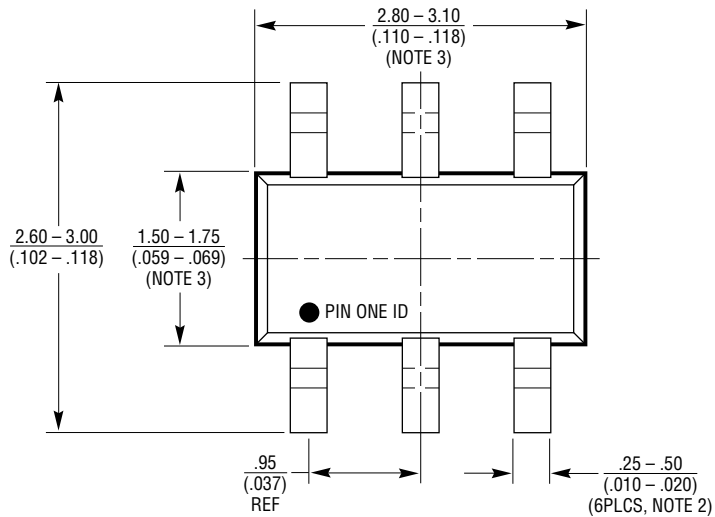


Figure 3. Back-to-Back N-Channel MOSFETs for Low Supply Application

PACKAGE DESCRIPTION

S6 Package
6-Lead Plastic SOT-23
 (LTC DWG # 05-08-1634)
 (LTC DWG # 05-08-1636)

	SOT-23 (Original)	SOT-23 (ThinSOT)
A	.90 - 1.45 (.035 - .057)	1.00 MAX (.039 MAX)
A1	.00 - 0.15 (.00 - .006)	.01 - .10 (.0004 - .004)
A2	.90 - 1.30 (.035 - .051)	.80 - .90 (.031 - .035)
L	.35 - .55 (.014 - .021)	.30 - .50 REF (.012 - .019 REF)



- NOTE:
1. CONTROLLING DIMENSION: MILLIMETERS
 2. DIMENSIONS ARE IN $\frac{\text{MILLIMETERS}}{\text{(INCHES)}}$
 3. DRAWING NOT TO SCALE
 4. DIMENSIONS ARE INCLUSIVE OF PLATING
 5. DIMENSIONS ARE EXCLUSIVE OF MOLD FLASH AND METAL BURR
 6. MOLD FLASH SHALL NOT EXCEED .254mm
 7. PACKAGE EIAJ REFERENCE IS:
 SC-74A (EIAJ) FOR ORIGINAL
 JEDEC MO-193 FOR THIN

REVISION HISTORY

REV	DATE	DESCRIPTION	PAGE NUMBER
A	06/14	Added "I" and "H" Grade	2 – 6
B	12/14	Changed Equation from $\frac{R1}{R1+R1} \cdot V_S = 0.88$ to $\frac{R1}{R1+R2} \cdot V_S = 0.88$ Changed Figure 2 schematic from Q1 to Q2	9 10

TYPICAL APPLICATION

External Triggering

The LTC1696 has a feature which allows the output to be latched into an active high state by pulling the **TIMER/RESET** pin high even if both the feedback voltages at the

FB1 and **FB2** pins are below the trip threshold of the internal comparator. The output is then reset by pulling the **TIMER/RESET** pin low. Figure 4 shows a circuit that uses the external triggering function of the LTC1696

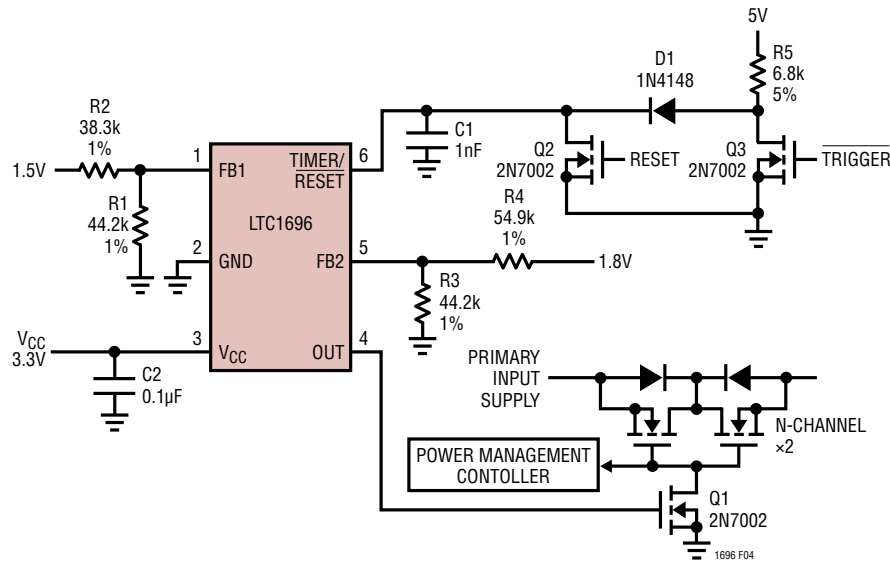


Figure 4. External Triggering

RELATED PARTS

PART NUMBER	DESCRIPTION	COMMENTS
LTC3890	60V, Low IQ, Dual 2-Phase Synchronous Step-Down DC/DC Controller	Phase-Lockable Fixed Frequency 50kHz to 900kHz $4V \leq V_{IN} \leq 60V$, $0.8V \leq V_{OUT} \leq 24V$, $I_Q = 50\mu A$
LTC3855	Dual, Multiphase, Synchronous Step-Down DC/DC Controller with Diff Amp and DCR Temperature Compensation	PLL Fixed Frequency 250kHz to 770kHz, $4.5V \leq V_{IN} \leq 38V$, $0.8V \leq V_{OUT} \leq 12V$
LTC3861	Dual, Multiphase, Synchronous Step-Down Controller with Diff Amp and Tri-State Output Drive	Operates with Power Blocks, DR MOS Devices or External MOSFETS, $3V \leq V_{IN} \leq 24V$, Up to 2.25MHz Operating Frequency
LTC3875	Dual, 2-Phase, Synchronous Current Mode Controller with Low Value DCR Sensing and Temperature Compensation	PLL Fixed Frequency 250kHz to 720kHz, $4.5V \leq V_{IN} \leq 38V$ $0.6V \leq V_{OUT} \leq 5V$, 4mm x 4mm QFN-24, TSSOP-24E
LTC3866	Sub Milli Ohm Current Mode Synchronous Step-Down Controller with Remote Sense	PLL Fixed Frequency 250kHz to 750kHz, $4V \leq V_{IN} \leq 38V$ $0.6V \leq V_{OUT} \leq 5V$, 6mm x 6mm QFN-40
LTC3765/ LTC3766	Forward No Opto Synchronous Controller Chip Set with Active Clamp Reset	Direct Flux Limit, Supports Self Starting Secondary Forward Control
LTC3722/ LTC3722-2	Synchronous Full Bridge Controllers	Adaptive or Manual Delay Control for Zero Voltage Switching, Adjustable Synchronous Rectification Timing

Looking for pricing, stock, or lifecycle information?

Click below to explore more details on WIN SOURCE:

- ⊖ [View LTC1696IS6#TRPBF on WIN SOURCE](#)
- ⊖ [Analog Devices Inc. Information](#)

Optimize Your Supply Chain with WIN SOURCE Solutions

- ✓ Global Sourcing Solution
- ✓ Obsolete Management
- ✓ Cost Control Management
- ✓ Shortage Management
- ✓ Alternative Solution
- ✓ Excess Inventory Management