

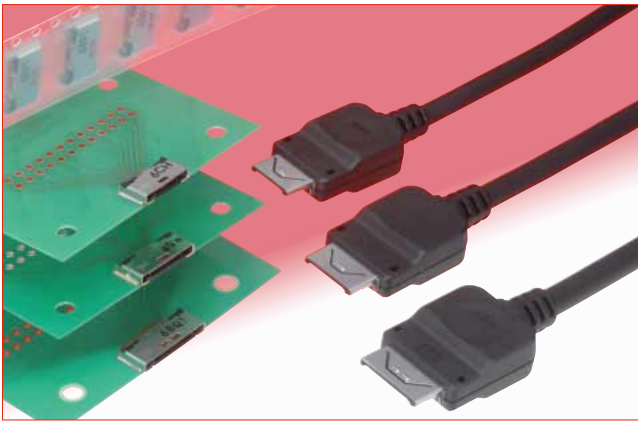


# THE DATASHEET OF LX60-16S



# Ultra Low-profile Interface Connectors with 2.0mm Mounting Height

## LX Series



### Overview

LX Series is a super low profile interface connector with sequential mating design and friction lock, which has been developed for low profile mobile terminals.

This connector features ESD problem prevention in 0.5mm terminal pitch and 2.0mm small and low profile design, which makes it suitable to small mobile devices.

### Features

#### 1. Low profile on the PCB

When mounted on the PCB surface the receptacle height is 2.0mm. (Fig.1)

#### 2. Strong Construction

Use of metal shell guarantees that fully mated connectors will withstand 30N max. force applied on the plug in any direction. (Fig.2)

#### 3. High contact reliability

Bellows contact with long mating stroke provides highly reliable mating as well as soft insertion feeling. Mating durability is up to 5,000 times long.

#### 4. Sequenced contact mating

The protection of the circuit is assured by having the 2 contact at each end of the receptacle are longer by 0.5mm, with electrical wipe of 1.45mm. Location of the circuit protection contacts can be changed as required. Remaining contacts electrical wipe is 0.95mm.

#### 5. Incorrect Insertion Prevention

Connectors will not be damaged when angled or reverse plug insertion is attempted. (Fig.3)

#### 6. Safety plug release

Plug will release when an excessive pull force is applied to the cable.

#### 7. RoHS Compliant

All materials and substances used to produce this product comply with RoHS standards.

### Applications

DSC, Tablet device, thin electronic equipment, mobile phones and other portable devices requiring high durability interface connectors.

#### Lower Profile



Fig.1

#### Strong Construction

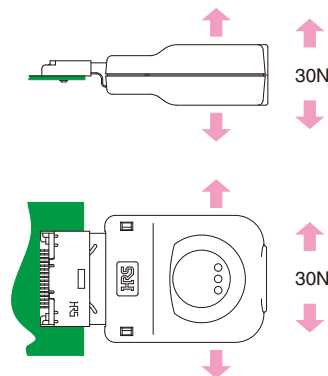


Fig.2

#### Incorrect insertion prevention

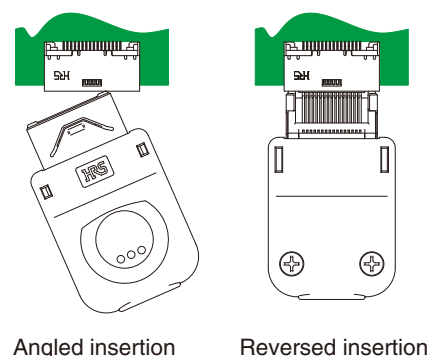


Fig.3

## ■Product specifications

|         |                |  |  |
|---------|----------------|--|--|
| Ratings | Current rating | 0.5A<br>(1A max. can be carried via 2 random contacts) | Operating temperature range : -40°C to +70°C |
|         | Voltage rating | 50V AC   | Storage temperature range : -55°C to +85°C   |

| Characteristic                     | Specification   | Conditions   |
|------------------------------------|---|--|
| 1.Contact resistance               | 70mΩ max.   | 100mA DC   |
| 2.Insulation resistance            | 1000MΩ min. (dry)<br>10MΩ min. (high humidity)                                | 100V DC  |
| 3.Withstanding voltage             | No flashover or insulation breakdown.   | 250V AC / 1 minute   |
| 4.Mating/un-mating forces          | Mating : 10N max., un-mating : 4N min.  | With corresponding connector.  |
| 5. Durability<br>(mating/n-mating) | Amount of change of contact resistance : 20mΩ max.                            | 5,000 times  |
| 6. Shock                           | No electrical discontinuity of 1μ sec. Max.<br>Contact resistance : 20mΩ max. | Acceleration of 490 m/s <sup>2</sup> , 11 ms duration,<br>sine half-wave waveform, 3 cycles, 3 axis.           |
| 7. Vibration                       | Contact resistance : 20mΩ max.<br>Insulation resistance : 10MΩ min.           | Frequency : 10 to 55 Hz, single amplitude of 0.75mm,<br>acceleration of 98 m/s <sup>2</sup> , 2 hours, 3 axis. |
| 8. Temperature cycle               | Contact resistance : 20mΩ max.<br>Insulation resistance : 10MΩ min.           | Temperature : -55°C → +5°C → +35°C → +85°C → +5°C → +35°C<br>Time : 30 → 2 to 3 → 30 → 2 to 3 min              |
| 9. Salt spray                      | No heavy corrosions   | 5% water solution at 35°C for 48 hours   |

## ■Materials / Finish

### ●Receptacles

| Component | Material        | Finish/Color  | Remarks |
|-----------|-----------------|---|---------|
| Insulator | Synthetic resin | Black   | UL94V-0 |
| Contacts  | Copper alloy    | Contact area : Gold plated<br>Mounting area : Gold flash plated | ———     |
| Shell     | Stainless steel | Soldering area : Gold flash plated                              | ———     |

### ●Plugs

| Component           | Material        | Finish/Color   | Remarks        |
|---------------------|-----------------|--|----------------|
| Insulator           | Synthetic resin | Black  | UL94V-0        |
| Contacts            | Copper alloy    | Contact area : Gold plated<br>Termination area : Gold flash plated | ———            |
| Metal shield        | Stainless steel | ———  | ———            |
| Covers              | Synthetic resin | Black  | UL94V-0        |
| Strain relief clamp | Copper alloy    | ———  | ———            |
| Self tapping screws | Steel           | Trivalent black chromate   | Screw size: M2 |

## ■Product Number Structure

Refer to the chart below when determining the product specifications from the product number.

Please select from the product numbers listed in this catalog when placing orders.

### ●Receptacles

**LX 60 - 16 S**  
① ② ③ ④

### ●Plugs

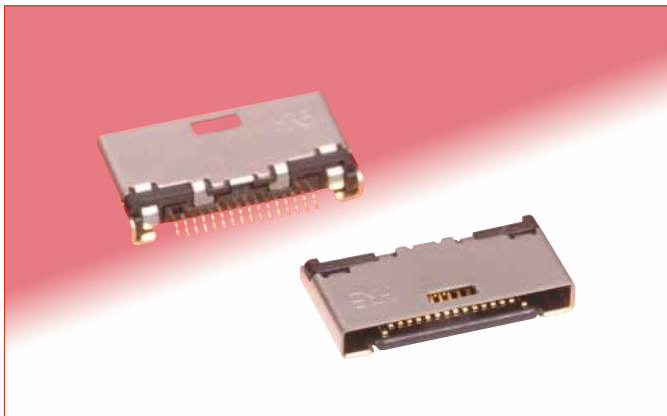
**LX 40 - 16 P**  
① ② ③ ④

### ●Bushing

**LX 40 - 16 BS(4.5)**  
① ② ③ ④ ⑤

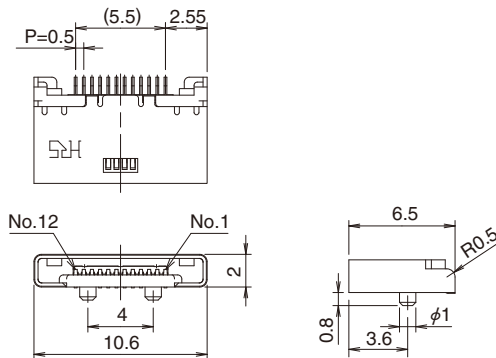
|                      |  |
|----------------------|--|
| ① Series number      | : LX   |
| ② Termination type   | 40 : Solder type<br>60 : Right angle SMT   |
| ③ Number of contacts | : 12, 16, 20   |
| ④ Contact type       | P : Male contact (Plug)<br>S : Female contact (Receptacle)                             |
| ⑤ Bushing            | BS(4.0) : Dia. 4.0mm cable<br>BS(4.5) : Dia. 4.5mm cable<br>BS(5.0) : Dia. 5.0mm cable |

## Receptacles

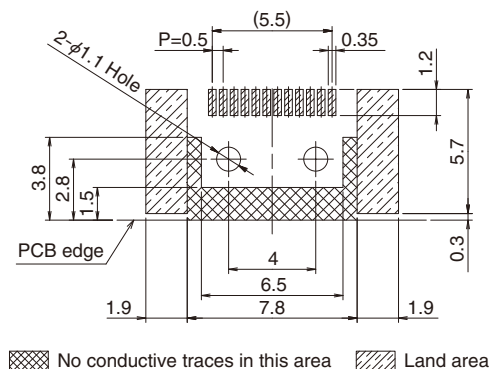


| Part No. | HRS No.    | Packaging      | RoHS |
|----------|------------|----------------|------|
| LX60-12S | 245-0018-3 | 2,000 pcs/reel | ○    |
| LX60-16S | 245-0001-0 |                |      |
| LX60-20S | 245-0016-8 |                |      |

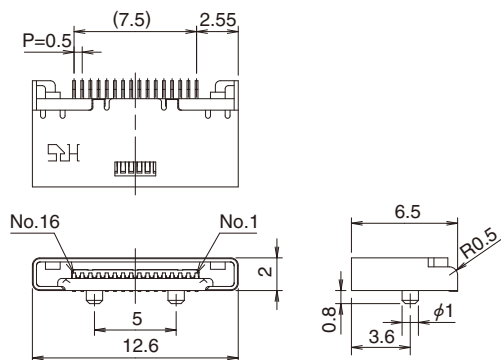
### 12 pos.



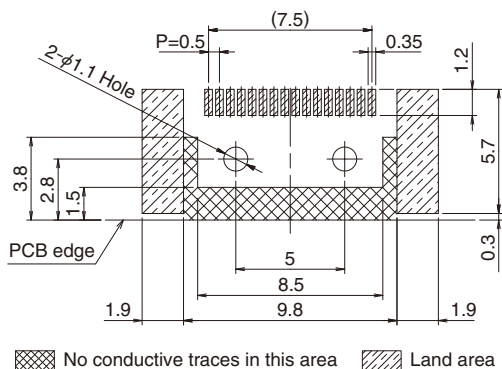
### Recommended PCB mounting pattern



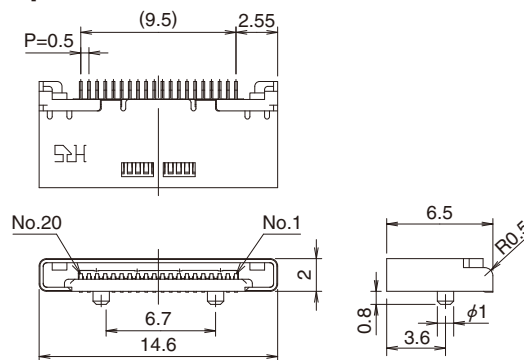
### 16 pos.



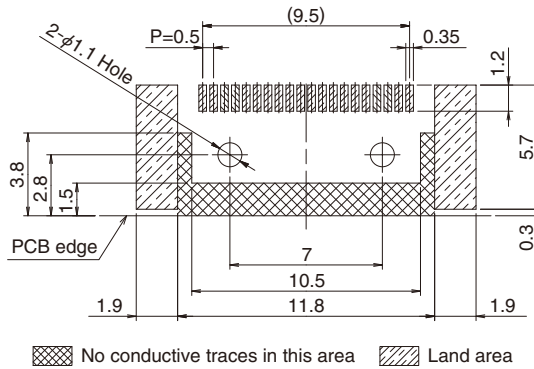
### Recommended PCB mounting pattern



### 20 pos.



### Recommended PCB mounting pattern

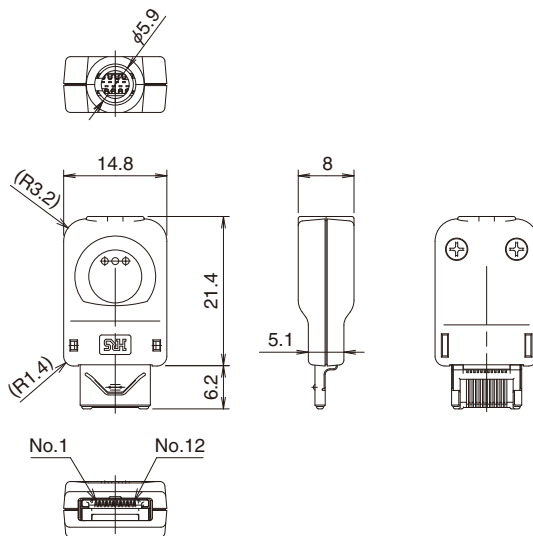


■ Plugs

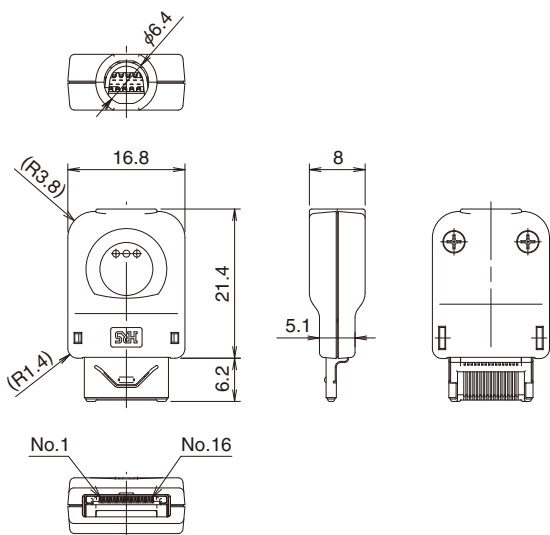


| Part No. | HRS No.    | Packaging | RoHS |
|----------|------------|-----------|------|
| LX40-12P | 245-0019-6 | 1         | ○    |
| LX40-16P | 245-0002-3 |           |      |
| LX40-20P | 245-0017-0 |           |      |

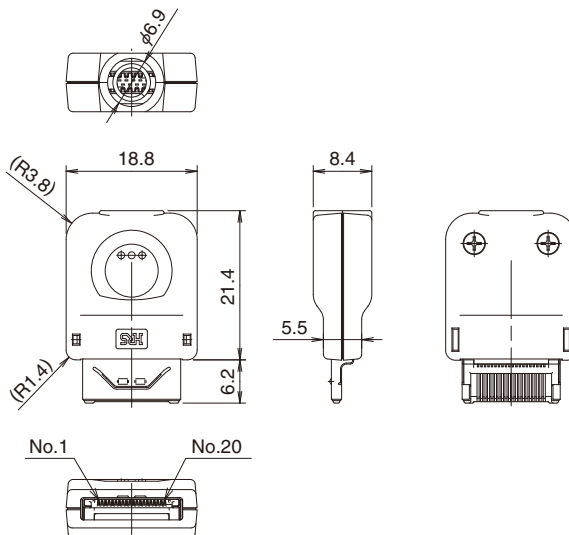
● 12 pos.



● 16 pos.



● 20 pos.



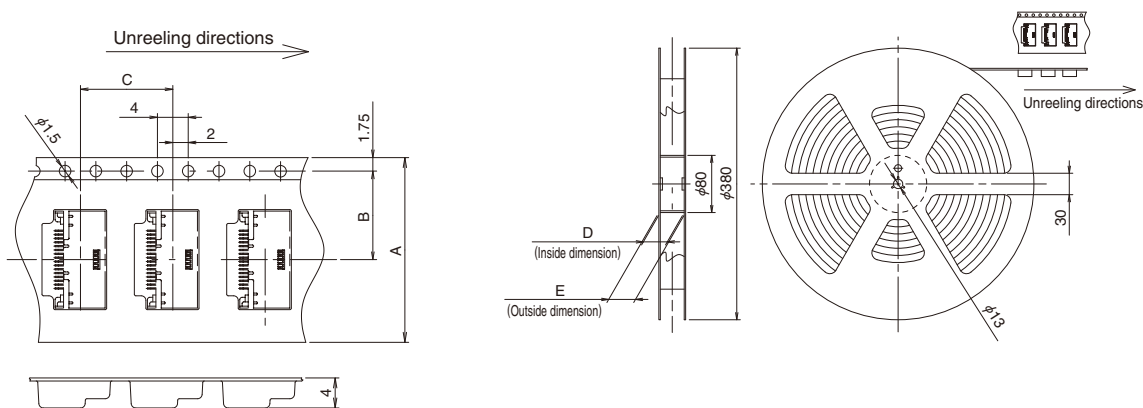
■ Bushing



| Part No.       | HRS No.    | Packaging    | RoHS |
|----------------|------------|--------------|------|
| LX40-12BS(4.0) | 245-0020-5 | 100 pcs/pack | ○    |
| LX40-16BS(4.5) | 245-0021-8 |              |      |
| LX40-20BS(5.0) | 245-0022-0 |              |      |

## ◆ Receptacle Packaging Specifications

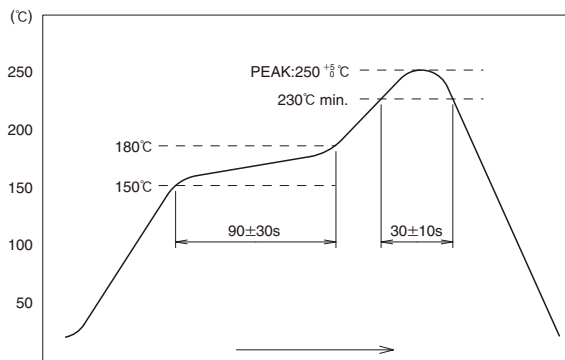
- Embossed carrier tape dimensions
- Reel dimensions



| Part No. | A  | B    | C  |
|----------|----|------|----|
| LX60-12S | 24 | 11.5 | 12 |
| LX60-16S |    |      |    |
| LX60-20S |    |      |    |

| Part No. | D    | E    |
|----------|------|------|
| LX60-12S | 25.5 | 29.5 |
| LX60-16S |      |      |
| LX60-20S |      |      |

## ◆ Receptacles Recommended Temperature Profile



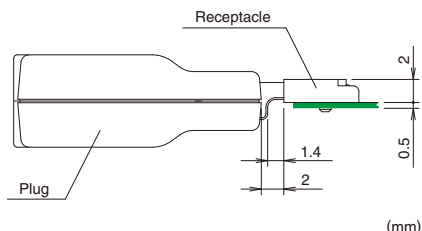
This measurement is performed on the contact lead section.  
 The temperature profile may vary due to external conditions such as the type of cream solder, manufacturer, and board size. Please contact the solder manufacturer for their specifications.

## ◆ Applicable Plug Cable

| Part No. | Cable diameter | Wire size                                |
|----------|----------------|--|
| LX40-12P | φ4 max.        | φ0.6mm max. (AWG#30 to 32 or equivalent) |
| LX40-16P | φ4.5 max.      |  |
| LX40-20P | φ5 max.        |  |

- Note 1 : Applicable cable sizes are guidelines. (There may be slight differences depending on the cable outer insulation)
- Note 2 : Cables must be attached using single piece overmolded bushings on the cable.
- Note 3 : Please refer to applicable Cable Termination Procedures Manual for correct plug assembly and cable termination.

## ◆ Mated Condition Dimensions



**USA:**

**HIROSE ELECTRIC (U.S.A.), INC. HEADQUARTERS CHICAGO OFFICE**  
 2300 Warrenville Road, Suite 150,  
 Downers Grove, IL 60515  
 Phone : +1-630-282-6700  
<http://www.hirose.com/us/>

**USA:**

**HIROSE ELECTRIC (U.S.A.), INC. SAN JOSE OFFICE**  
 2841 Junction Ave, Suite 200  
 San Jose, CA. 95134  
 Phone : +1-408-253-9640  
 Fax : +1-408-253-9641  
<http://www.hirose.com/us/>

**USA:**

**HIROSE ELECTRIC (U.S.A.), INC. DETROIT OFFICE (AUTOMOTIVE)**  
 17197 N. Laurel Park Drive, Suite 253,  
 Livonia, MI 48152  
 Phone : +1-734-542-9963  
 Fax : +1-734-542-9964  
<http://www.hirose.com/us/>

**USA:**

**HIROSE ELECTRIC (U.S.A.), INC. BOSTON OFFICE**  
 300 Brickstone Square Suite 201,  
 Andover, MA 01810  
 Phone : +1-978-662-5255

**THE NETHERLANDS:**

**HIROSE ELECTRIC EUROPE B.V.**  
 Hogehillweg #8 1101 CC Amsterdam Z-0  
 Phone : +31-20-6557460  
 Fax : +31-20-6557469  
<http://www.hirose.com/eu/>

**GERMANY:**

**HIROSE ELECTRIC EUROPE B.V. GERMAN BRANCH**  
 Schoenbergstr. 20, 73760 ostfildern  
 Phone : +49-711-456002-1  
 Fax : +49-711-456002-299  
<http://www.hirose.com/eu/>

**GERMANY:**

**HIROSE ELECTRIC EUROPE B.V. NUREMBERG OFFICE**  
 Neumeyerstrasse 22-26, 90411 Nurnberg  
 Phone : +49-911 32 68 89 63  
 Fax : +49-911 32 68 89 69  
<http://www.hirose.com/eu/>

**GERMANY:**

**HIROSE ELECTRIC EUROPE B.V. HANOVER OFFICE**  
 Bayernstr. 3, Haus C 30855 Langenhagen, Germany  
 Phone : +49-511 97 82 61 30  
 Fax : +49-511 97 82 61 35  
<http://www.hirose.com/eu/>

**FRANCE:**

**HIROSE ELECTRIC EUROPE B.V. PARIS OFFICE**  
 130 Avenue Joseph Kessel, Bat E, 78960  
 Voisins le Bretonneux, France  
 Phone : +33-1-85764886  
 Fax : +33-1-85764823  
<http://www.hirose.com/eu/>

**UNITED KINGDOM:**

**HIROSE ELECTRIC EUROPE BV (UK BRANCH)**  
 4 Newton Court, Kelvin Drive, Knowlhill,  
 Milton Keynes, MK5 8NH  
 Phone : +44-1908 202050  
 Fax : +44-1908 202058  
<http://www.hirose.com/eu/>

**CHINA:**

**HIROSE ELECTRIC (CHINA) CO., LTD. (SHANGHAI, HEADQUARTERS)**  
 18, Enterprise Center Tower 2, 209# Gong He  
 Road, Jing'an District, Shanghai, CHINA 200070  
 Phone : +86-21-6391-3355  
 Fax : +86-21-6391-3335  
<http://www.hirose.com/cn/>

**CHINA:**

**HIROSE ELECTRIC (CHINA) CO.,LTD. BEIJING BRANCH**  
 A1001, Ocean International Center, Building 56# East 4th  
 Ring Middle Road, ChaoYang District, Beijing, 100025  
 Phone : +86-10-5165-9332  
 Fax : +86-10-5908-1381  
<http://www.hirose.com/cn/>

**CHINA:**

**HIROSE ELECTRIC (CHINA) CO., LTD. SHENZHEN BRANCH**  
 Room 09-13, 19/F, Office Tower Shun Hing Square, Di Wang Commercial Centre,  
 5002 Shen Nan Dong Road, Shenzhen City, Guangdong Province, 518008  
 Phone : +86-755-8207-0851  
 Fax : +86-755-8207-0873  
<http://www.hirose.com/cn/>

**HONG KONG:**

**HIROSE ELECTRIC HONGKONG TRADING CO., LTD.**  
 Room 1001, West Wing, Tsim Sha Tsui Centre, 66  
 Mody Road, Tsim Sha Tsui East, Kowloon, Hong Kong  
 Phone : +852-2803-5338  
 Fax : +852-2591-6560  
<http://www.hirose.com/hk/>

**TAIWAN:**

**HIROSE ELECTRIC TAIWAN CO., LTD.**  
 103 8F, No.87, Zhengzhou Rd., Taipei  
 Phone : +886-2-2555-7377  
 Fax : +886-2-2555-7355  
<http://www.hirose.com/tw/>

**KOREA:**

**HIROSE KOREA CO.,LTD.**  
 143, Gongdan 1-daero, Siheung-si,  
 Gyeonggi-do, 15084, Korea  
 Phone : +82-31-496-7000  
 Fax : +82-31-496-7100  
<http://www.hirose.co.kr/>

**SINGAPORE:**

**HIROSE ELECTRIC SINGAPORE PTE. LTD.**  
 03, Anson Road, #20-01, Springleaf Tower,  
 Singapore 079909  
 Phone : +65-6324-6113  
 Fax : +65-6324-6123  
<http://www.hirose.com/sg/>

**INDIA:**

**HIROSE ELECTRIC SINGAPORE PTE. LTD. DELHI LIAISON OFFICE**  
 Office NO.552, Regus-Green Boulevard, Level5, Tower C,  
 Sec62, Plot B-9A, Block B, Noida, 201301, Uttar Pradesh, India  
 Phone : +91-12-660-8018  
 Fax : +91-120-4804949  
<http://www.hirose.com/sg/>

**INDIA:**

**HIROSE ELECTRIC SINGAPORE PTE. LTD. BANGALORE LIAISON OFFICE**  
 Unit No-403, 4th Floor, No-84, Barton Centre, Mahatma  
 Gandhi (MG) Road, Bangalore 560 001, Karnataka, India  
 Phone : +91-80-4120 1907  
 Fax : +91-80-4120 9908  
<http://www.hirose.com/sg/>

**MALAYSIA:**

**PENANG REPRESENTATIVE OFFICE**  
 73-3-1, Ideal@The One, Jalan Mahsuri, Bayan  
 Lepas Penang, 11950, Malaysia  
 Phone : +604-648-5536  
<http://www.hirose.com/sg/>

**THAILAND:**

**BANGKOK OFFICE (REPRESENTATIVE OFFICE)**  
 Unit 4703, 47th FL., 1 Empire Tower, South Sathorn  
 Road, Yannawa, Sathorn, Bangkok 10120 Thailand  
 Phone : +66-2-686-1255  
 Fax : +66-2-686-3433  
<http://www.hirose.com/sg/>





**HIROSE ELECTRIC CO.,LTD.**

2-6-3,Nakagawa Chuoh,Tsuzuki-Ku,Yokohama-Shi 224-8540,JAPAN  
 TEL: +81-45-620-3526 Fax: +81-45-591-3726  
<http://www.hirose.com>  
<http://www.hirose-connectors.com>

## Looking for pricing, stock, or lifecycle information?

Click below to explore more details on WIN SOURCE:

-  [View LX60-16S on WIN SOURCE](#)
-  [Hirose Electric Co Ltd Information](#)

## Optimize Your Supply Chain with WIN SOURCE Solutions

-  Global Sourcing Solution
-  Obsolete Management
-  Cost Control Management
-  Shortage Management
-  Alternative Solution
-  Excess Inventory Management