



# THE DATASHEET OF AS1112-BQFT





**austriamicrosystems AG**

**is now**

**ams AG**

The technical content of this austriamicrosystems datasheet is still valid.

**Contact information:**

**Headquarters:**

ams AG

Tobelbaderstrasse 30

8141 Unterpremstaetten, Austria

Tel: +43 (0) 3136 500 0

e-Mail: [ams\\_sales@ams.com](mailto:ams_sales@ams.com)

Please visit our website at [www.ams.com](http://www.ams.com)

# AS1112

## 16-Channel LED Driver with Dot Correction and Greyscale PWM

### 1 General Description

The AS1112 is a 16-channel, constant current-sink LED driver. Each of the 16 channels can be individually adjusted by 4096-step greyscale PWM brightness control and 64-step constant-current sink (dot correction).

The dot correction circuitry adjusts the brightness variations between the AS1112 channels and other LED drivers. Greyscale control and dot correction circuitry are accessible via the SPI-compatible serial interface. A single external resistor sets the maximum current value of all 16 channels.

The open & short LED detection function indicates a broken, shorted or disconnected LED at one or more of the outputs. The overtemperature flag indicates that the device is in an overtemperature condition.

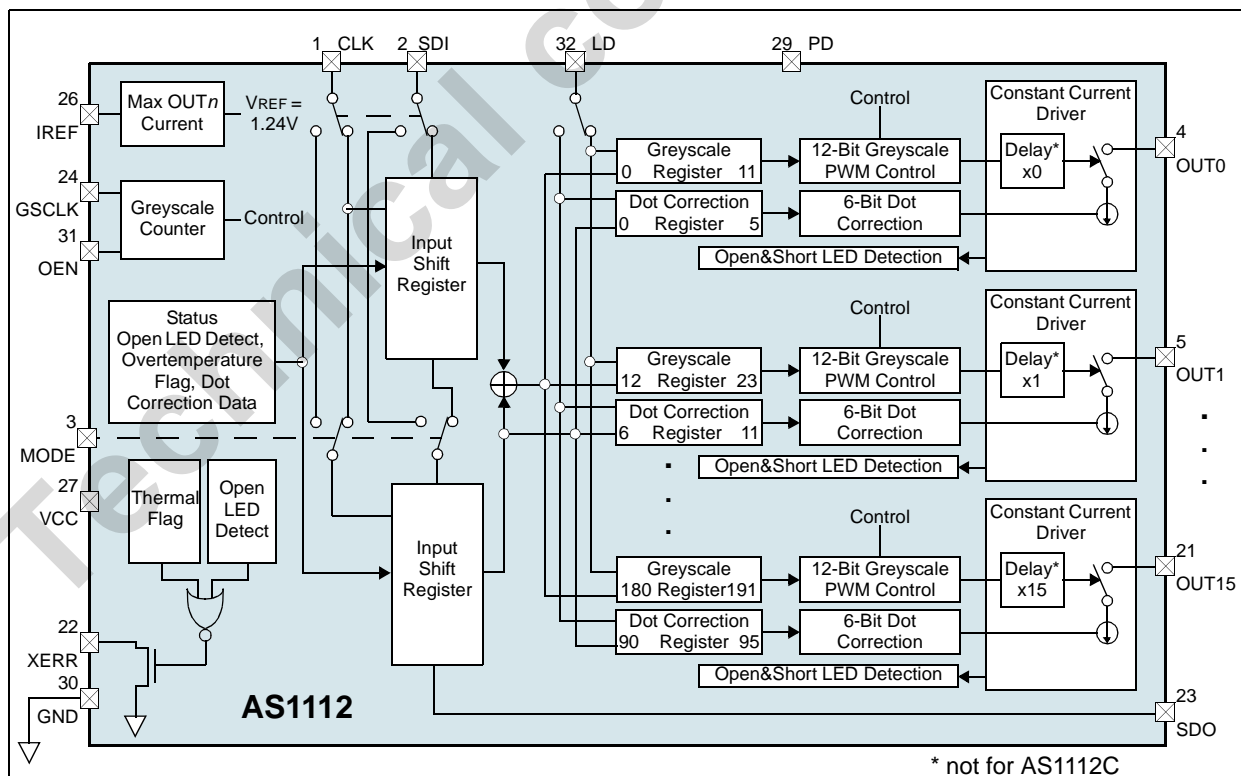
Table 1. Standard Products

Model	Power-Down	TEST pin	Output Delay
AS1112	Yes	Connect to GND	Yes
AS1112B	No	Connect to VCC	Yes
AS1112C	No	Connect to VCC	No

An additional power-down pin puts the AS1112 into a 40nA standby-mode.

The AS1112 is available in a 32-pin TQFN 5x5 mm package.

Figure 1. AS1112 - Block Diagram



### 2 Key Features

- 16 Channels
- Greyscale PWM Control: 12-Bit (4096 Steps)
- Dot Correction: 6-Bit (64 Steps)
- Drive Capability (Constant-Current Sink): 0 to 100mA
- LED Power Supply Voltage: Up to 15V
- Supply Voltage Range: 3.0 to 5.5 V
- SPI-Compatible Serial Interface
- Controlled In-Rush Current
- Data Transfer & PWM Clock Rate: up to 30 MHz
- CMOS Level I/O
- Diagnostic Features
  - LED Open/Short Detection
  - Overtemperature Flag
- 32-pin TQFN 5x5 mm Package

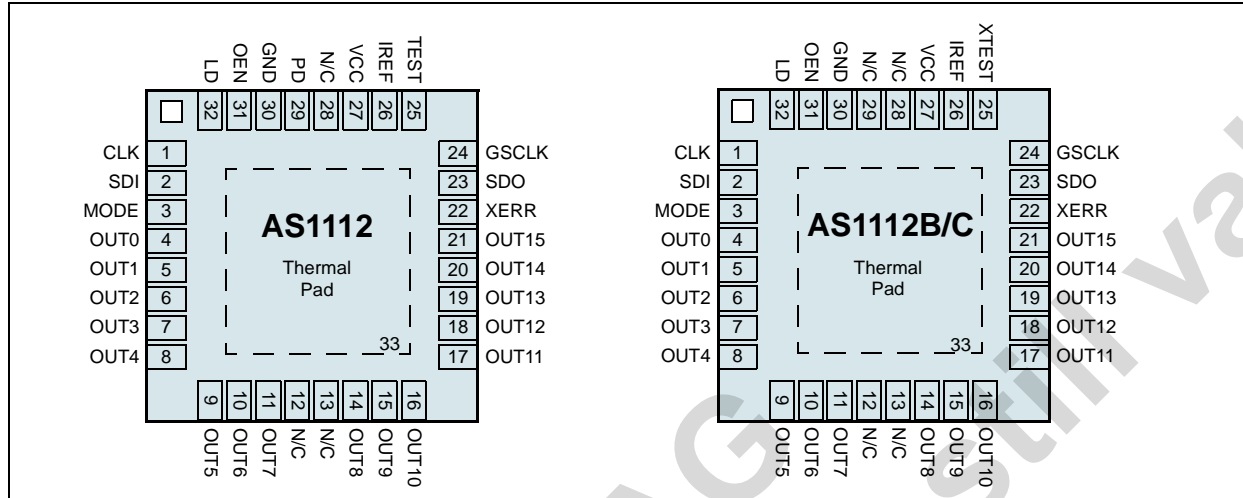
### 3 Applications

The device is ideal for mono-, multi-, and full-color LED displays, LED signboards, and display backlights.

## 4 Pinout

### Pin Assignments

Figure 2. Pin Assignments (Top View)



### Pin Descriptions

Table 2. Pin Descriptions

Pin Number	Pin Name	Description
1	CLK	<b>Serial Data Shift Clock</b>
2	SDI	<b>Serial Data Input</b>
3	MODE	<b>Mode Select input with internal pulldown</b> MODE = GND: Selects greyscale mode (see <a href="#">Setting Greyscale Brightness on page 12</a> ). MODE = Vcc: Selects dot correction mode (see <a href="#">Setting Dot Correction on page 11</a> ).
4:11	OUT0:OUT7	<b>Constant-Current Outputs 0:7</b>
14:21	OUT8:OUT15	<b>Constant-Current Outputs 8:15</b>
22	XERR	<b>Error Output</b> 0 = LED open detection or overtemperature condition is detected. 1 = Normal operation.
23	SDO	<b>Serial Data Output</b>
24	GSCLK	<b>Greyscale Clock.</b> Reference clock for greyscale PWM control
25	TEST	<b>Test Pin.</b> This pin must be connected to GND (AS1112) to ensure normal operation.
	XTEST	<b>Test Pin.</b> This pin must be connected to Vcc (AS1112B, AS1112C) to ensure normal operation.
26	IREF	<b>Reference Current Terminal</b>
27	Vcc	<b>Power Supply Voltage</b>
12,13,28	N/C	This pin must not be connected.
29	PD	<b>Power Down</b> input with internal pulldown (AS1112) 0 = normal operation mode 1 = powerdown mode
	N/C	<b>Not Connected</b> (AS1112B, AS1112C)
30	GND	<b>Ground</b>
31	OEN	<b>Blank Outputs</b> 0 = OUT $n$ outputs are controlled by the greyscale PWM control. 1 = OUT $n$ outputs are forced off; the greyscale counter is reset.
32	LD	<b>Data Latch.</b> The internal connections are switched by pin MODE. For LD (MODE = GND), the greyscale register receives new data. For LD (MODE = Vcc), the dot correction register receives new data.
33	Thermal Pad	<b>Thermal Pad.</b> This pin must be connected to GND to ensure normal operation.

## 5 Absolute Maximum Ratings

Stresses beyond those listed in [Table 3](#) may cause permanent damage to the device. These are stress ratings only, and functional operation of the device at these or any other conditions beyond those indicated in [Recommended Operating Conditions on page 4](#) is not implied. Exposure to absolute maximum rating conditions for extended periods may affect device reliability.

Table 3. Absolute Maximum Ratings

Parameter	Min	Max	Units	Comments
<b>Electrical Parameters</b>				
VCC to GND	-0.3	6	V	
All other pins to GND	-0.3	VCC + 0.3	V	
VOUT0 : VOUT15 to GND	-0.3	15	V	
Output Current (DC)		110	mA	
Input Current (latch-up immunity)	-100	100	mA	Norm: JEDEC 78
<b>Electrostatic Discharge</b>				
Electrostatic Discharge HBM		+/- 2	kV	Norm: MIL 883 E method 3015
<b>Thermal Information</b>				
Junction to ambient thermal resistance		37	°C/W	For more information about thermal metrics, see application note <i>AN01 Thermal Characteristics</i> .
<b>Temperature Ranges and Storage Conditions</b>				
Junction Temperature		+110	°C	
Storage Temperature Range	-55	+150	°C	
Package Body Temperature		+260	°C	The reflow peak soldering temperature (body temperature) specified is in accordance with <i>IPC/JEDEC J-STD-020 "Moisture/Reflow Sensitivity Classification for Non-Hermetic Solid State Surface Mount Devices"</i> . The lead finish for Pb-free leaded packages is matte tin (100% Sn).
Humidity non-condensing	5	85	%	
Moisture Sensitive Level		3		Represents a max. floor life time of 168h

## 6 Recommended Operating Conditions

Table 4. DC Characteristics

Symbol	Parameter	Conditions	Min	Typ	Max	Unit
T <sub>AMB</sub>	Operating Temperature Range		-40		85	°C
V <sub>CC</sub>	Supply Voltage		3		5.5	V
V <sub>OUT</sub>	Voltage Applied to Output (OUT0:OUT15)				15	V
V <sub>IH</sub>	High-Level Input Voltage		0.8 x V <sub>CC</sub>		V <sub>CC</sub>	V
V <sub>IL</sub>	Low-Level Input Voltage		GND		0.2 x V <sub>CC</sub>	V
I <sub>OH</sub>	High-Level Output Current	V <sub>CC</sub> = 5 V at SDO	-1.0			mA
I <sub>OL</sub>	Low-Level Output Current	V <sub>CC</sub> = 5 V at SDO, XERR	1.0			mA
I <sub>CO</sub>	Constant Output Current	OUT0:OUT15			100	mA

Table 5. AC Characteristics – V<sub>CC</sub> = 3 V to 5.5 V, T<sub>AMB</sub> = -40 to 85°C (unless otherwise specified)

Symbol	Parameter	Conditions	Min	Typ	Max	Unit
f <sub>CLK</sub>	Data Shift Clock Frequency	CLK			30	MHz
f <sub>GSCLK</sub>	Greyscale Clock Frequency	GSCLK			30	MHz
t <sub>WH0</sub> /t <sub>WL0</sub>	CLK Pulse Duration	CLK = 1/0 <sup>1</sup>	16			ns
t <sub>WH1</sub> /t <sub>WL1</sub>	GSCLK Pulse Duration	GSCLK = 1/0 <sup>2</sup>	16			ns
t <sub>WH2</sub>	LD Pulse Duration	LD = 1 <sup>1</sup>	20			ns
t <sub>WH3</sub>	OEN Pulse Duration	OEN = 1 <sup>2</sup>	20			ns
t <sub>SU0</sub>	Setup Time	SDI, CLK <sup>1</sup>	12			ns
t <sub>SU1</sub>		CLK, LD <sup>3</sup>	12			
t <sub>SU2</sub>		MODE, CLK <sup>4</sup>	12			
t <sub>SU3</sub>		MODE, LD <sup>4</sup>	12			
t <sub>SU4</sub>		OEN, GSCLK <sup>2</sup>	12			
t <sub>H0</sub>	Hold Time	CLK, SDI <sup>3</sup>	12			ns
t <sub>H1</sub>		LD, CLK <sup>1</sup>	12			
t <sub>H2</sub>		CLK, MODE <sup>4</sup>	12			
t <sub>H3</sub>		LD, MODE <sup>4</sup>	12			
t <sub>H4</sub>		GSCLK, OEN <sup>2</sup>	12			

1. See Figure 12 on page 12.
2. See Figure 16 on page 14.
3. See Figure 14 on page 13.
4. See Figure 9 on page 8.

## 7 Electrical Characteristics

$V_{CC} = +3.0$  to  $+5.5V$ , Typical values are at  $T_{AMB} = 25^{\circ}C$ ,  $V_{CC} = 5V$  (unless otherwise specified). All limits are guaranteed. The parameters with min and max values are guaranteed with production tests or SQC (Statistical Quality Control) methods.

Table 6. Electrical Characteristics

Symbol	Parameter	Condition	Min	Typ	Max	Unit
$T_J$	Operating Junction Temperature		-40		+125	$^{\circ}C$
$V_{OH}$	High-Level Output Voltage	$I_{OH} = -1mA$ , SDO	$V_{CC}-0.5$			V
$V_{OL}$	Low-Level Output Voltage	$I_{OL} = 1mA$ , SDO, XERR			0.5	V
$I$	Input Current	$V_{IN} = V_{CC}$ or GND; Pins OEN, TEST, GSCLK, CLK, SDI, LD	-1		1	$\mu A$
		$V_{IN} = V_{CC}$ ; pin MODE, PD			100	
		$V_{IN} = GND$ ; pin MODE, PD	-1		1	
$I_{CC}$	Supply Current	All outputs off, $R_{REF} = 10k\Omega$		1.2	3	mA
		All outputs off, $R_{REF} = 1.3k\Omega$		4	10	
		All outputs on, $R_{REF} = 1.3k\Omega$		15	20	
		All outputs on, $R_{REF} = 640\Omega$		30	40	
$I_{PD}$	Power Down Current	only AS1112		40		nA
$I_{COC}$	Constant Output Current	All outputs on, $V_{OUT} = 2V$ , $R_{REF} = 640\Omega$	54	61	69	mA
$I_{LEAK}$	Leakage Output Current	All outputs off, $V_{OUT} = 15V$ , $R_{REF} = 640\Omega$ , OUT0:OUT15		20		nA
$\Delta I_{COC}$	Constant Current Error	$V_{OUT} = 2V$ , $R_{REF} = 640\Omega$ , OUT0:OUT15		$\pm 3$	$\pm 4.5$	%
		$V_{OUT} = 2V$ , $R_{REF} = 480\Omega$ , OUT0:OUT15		$\pm 3$	$\pm 4.5$	
		Device to device, average current from OUT0:OUT15, $R_{REF} = 1920\Omega$ (20 mA), $V_{CC} = 5.5V$ , $V_{OUT} = 2V$		$\pm 3$	$\pm 4.5$	
		Device to device, average current from OUT0:OUT15, $R_{REF} = 480\Omega$ (80 mA), $V_{CC} = 5.5V$ , $V_{OUT} = 2V$		$\pm 3$	$\pm 4.5$	
$\Delta I_{LNR}$	Line Regulation	$V_{OUT} = 2V$ , $R_{REF} = 640\Omega$ OUT0:OUT15		$\pm 1$	$\pm 2.5$	%/V
		$V_{OUT} = 2V$ , $R_{REF} = 480\Omega$ OUT0:OUT15		$\pm 1$	$\pm 2.5$	
$\Delta I_{LDR}$	Load Regulation	$V_{OUT} = 2$ to $4V$ , $R_{REF} = 640\Omega$ , OUT0:OUT15		$\pm 0.1$	$\pm 0.5$	%/V
		$V_{OUT} = 2$ to $4V$ , $R_{REF} = 480\Omega$ , OUT0:OUT15		$\pm 0.1$	$\pm 0.5$	
$T_{TEF}$	Thermal Error Flag Threshold	Junction temperature <sup>1</sup>		150		$^{\circ}C$
$T_{TWF}$	Thermal Warn Flag Threshold	Junction temperature <sup>1</sup>		125		$^{\circ}C$
$V_{LSD}$	LED Short Detection Threshold	$V_{CC} = 5V$		2.8		V
		$V_{CC} = 3V$		1.7		V
$V_{LOD}$	LED Open Detection Threshold			0.3	0.4	V
$V_{REF}$	Reference Voltage Output	$R_{REF} = 640\Omega$	1.20	1.24	1.28	V

1. Specified by design. Not tested.

## Switching Characteristics

$V_{CC} = +3.0$  to  $+5.5V$ ,  $T_{AMB} = -40$  to  $+85^{\circ}C$ . Typical values are at  $T_{AMB} = 25^{\circ}C$ ,  $V_{CC} = 5V$  (unless otherwise specified).

Table 7. Switching Characteristics

Symbol	Parameter	Conditions	Min	Typ	Max	Unit
$t_{R0}$	Rise Time	SDO		8		ns
$t_{R1}$		$OUT_n$ , DC = $3F_{HEX}$		20		
$t_{F0}$	Fall Time	SOUT		8		ns
$t_{F1}$		$OUT_n$ , DC = $3F_{HEX}$		20		
$t_{PD0}$	Propagation Delay Time	CLK, SDO <sup>1</sup>		15		ns
$t_{PD1}$		OEN, $OUT_0$ <sup>2</sup>		30		
$t_{PD2}$		$OUT_n$ , XERR <sup>2</sup> (includes error detection time, see Figure 10 on page 10)		1000		
$t_{PD3}$		GSCLK, $OUT_0$ <sup>2</sup>		30		
$t_D^3$	Average Output Delay Time	$OUT_n$ , $OUT_{n+1}$ <sup>2,3</sup>		30		ns

1. See Figure 14 on page 13.

2. See Figure 16 on page 14.

3. Only for AS1112 and AS1112B.

## 8 Typical Operating Characteristics

$T_{AMB} = 25^{\circ}\text{C}$  (unless otherwise specified).

Figure 3. Output Current vs.  $V_{DS}$ ;  $V_{DD} = 5\text{V}$

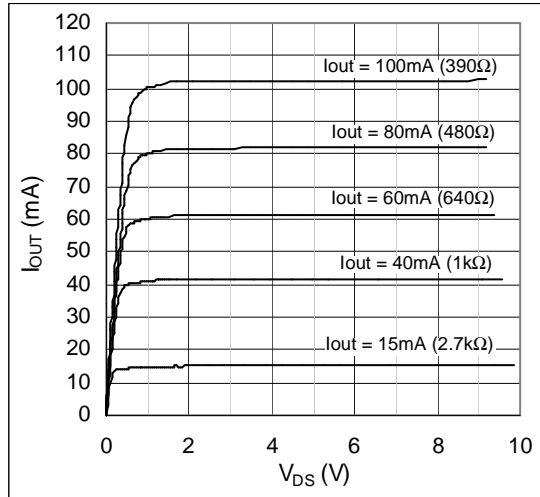


Figure 4. Output Current vs.  $V_{DS}$ ;  $V_{DD} = 5\text{V}$

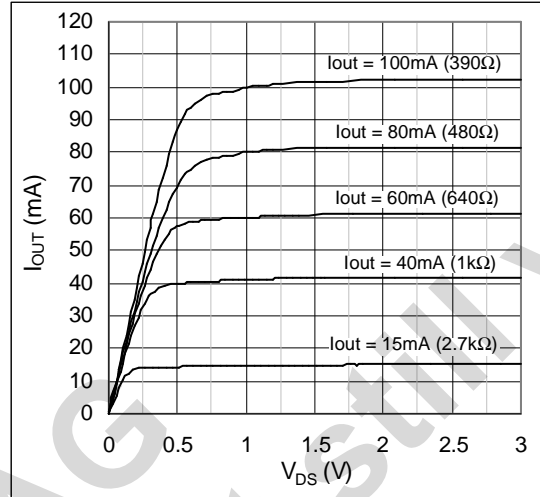


Figure 5. Output Current vs.  $V_{DS}$ ;  $V_{DD} = 3\text{V}$

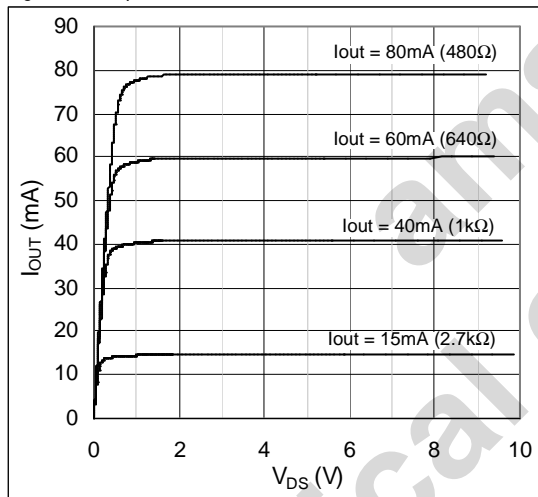


Figure 6. Output Current vs.  $V_{DS}$ ;  $V_{DD} = 3\text{V}$

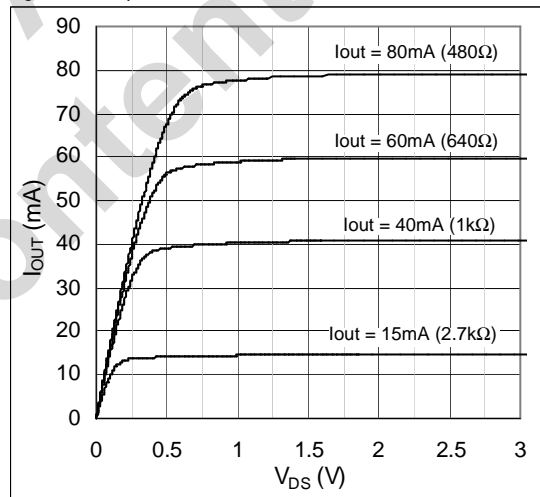


Figure 7. Output Current vs.  $R_{EXT}$ ;

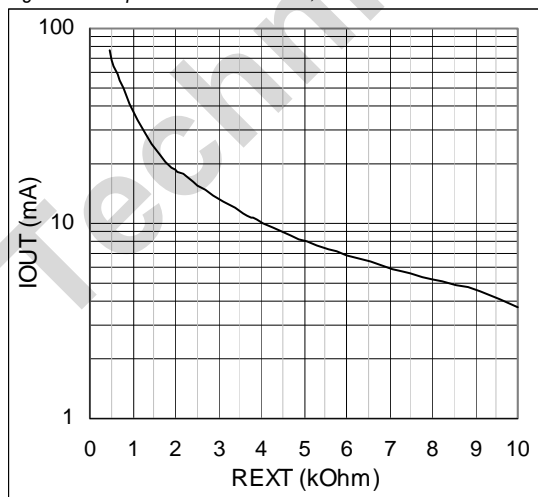
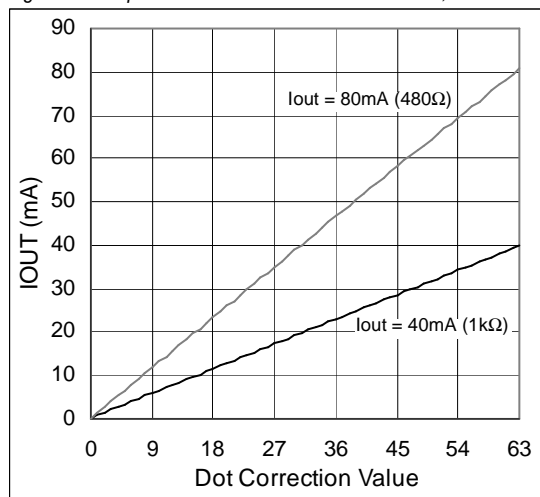


Figure 8. Output Current vs. Dot Correction Value;



## 9 Detailed Description

### Serial Interface

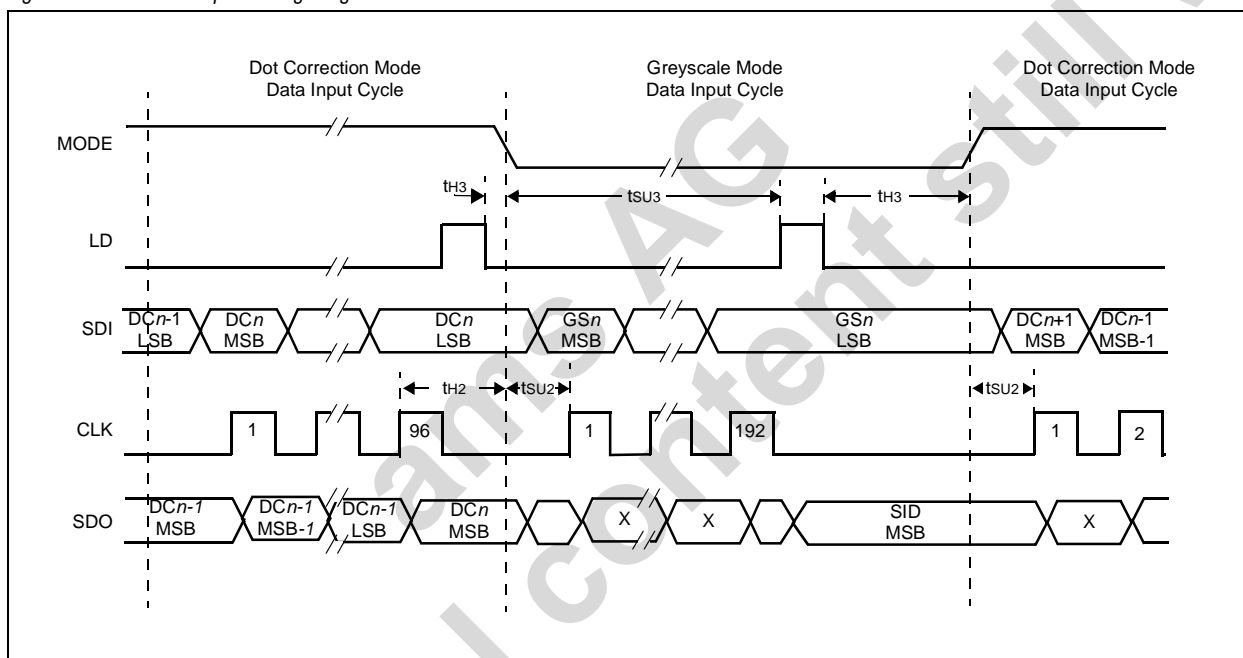
The AS1112 features a serial interface (CLK, SDI, SDO, LD, OEN and MODE), which can be connected to microcontrollers or digital signal processors in various configurations.

The rising edge of the CLK signal shifts data from pin SDI to the internal register. After all data is clocked in, the serial data is latched into the internal registers at the rising edge of the LD signal.

**Note:** All data is clocked in with the MSB first.

Multiple AS1112 devices can be cascaded by connecting the SDO pin of one device with pin SDI of the next device (see Figure 17 on page 15). The SDO pin can also be connected to the microcontroller to receive status information from the AS1112. The serial data format is 96-bit or 192-bit wide, depending on mode of the device (see LD on page 2).

Figure 9. Serial Data Input Timing Diagram



### Error Information Output

The open-drain output pin XERR indicates if the device is in one of the two error conditions: overtemperature flag or open LED detect. During normal operation, the internal transistor connected to pin XERR is turned off and the voltage on XERR is pulled up to VCC through an external pullup resistor.

If an overtemperature or open LED condition is detected, the internal transistor is switched on, and XERR is pulled to GND. Because XERR is an open-drain output, multiple AS1112 devices can be ORED together and pulled up to VCC with a single pullup resistor (see Figure 17 on page 15). This reduces the number of signals needed to report a system error.

To differentiate the overtemperature flag from the open LED detect flag from pin XERR, the open LED detect flag can be masked out by setting OEN = 1 (see Table 8).

Table 8. XERR Truth Table

Error Condition			Error Information				Selected Mode			Status
	Temp.	OUT $n$ Voltage	Thermal Error Flag	Thermal Warning Flag	Open LED Detect	Short LED Detect	OEN	Mode	XERR	
Open	T $J$ < T $_{TEF}$	OUT $n$ > V $_{LOD}$	0	Don't Care	0	Don't Care	0	0	1	normal
		OUT $n$ < V $_{LOD}$	0	Don't Care	1	Don't Care	0	0	0	open error
	T $J$ > T $_{TEF}$	OUT $n$ > V $_{LOD}$	1	Don't Care	0	Don't Care	0	0	0	temp. error
		OUT $n$ < V $_{LOD}$	1	Don't Care	1	Don't Care	0	0	0	open & temp. error
Temp	T $J$ > T $_{TEF}$	Don't Care	0	Don't Care	Don't Care	Don't Care	1	0	1	normal
	T $J$ < T $_{TEF}$	Don't Care	1	Don't Care	Don't Care	Don't Care	1	0	0	temp error
	T $J$ > T $_{TWF}$	Don't Care	Don't Care	0	Don't Care	Don't Care	1	1	1	normal
	T $J$ < T $_{TWF}$	Don't Care	Don't Care	1	Don't Care	Don't Care	1	1	0	temp. warn

### Overtemperature Error/Warning Flags

The AS1112 provides a overtemperature circuit to indicate that the device is in an overtemperature condition. If the device junction temperature (T $_J$ ) exceeds the threshold temperature (150°C typ), the overtemperature circuit trips and pulls XERR to ground. The overtemperature flag status can be read out from the AS1112 status register.

To prevent an overtemperature condition the AS1112 offers an temperature warning flag at 125°C typical. This flag can be used to take precautions (e.g. start an external cooling) against a overtemperature condition.

### Open LED Detection

The AS1112 integrated open LED detection circuit reports an error if any of the 16 LEDs is open or disconnected from the circuit. The open LED detection circuit trips when the error detection is activated (see Table 8) and the voltage at OUT $n$  is less than V $_{LOD}$ .

**Note:** The voltage at each OUT $n$  is sampled 1 $\mu$ s after being switched on. Please refer to Figure 10.

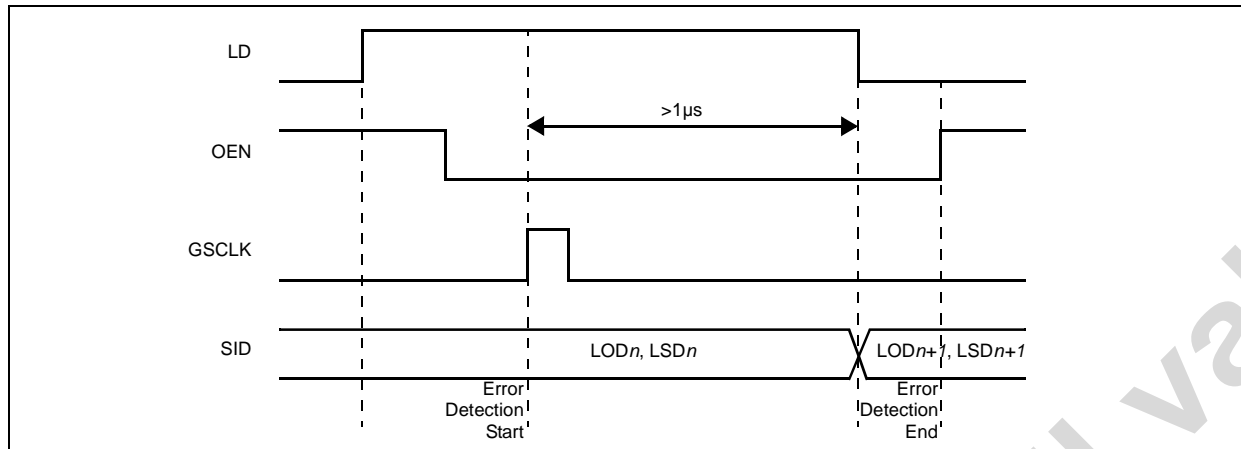
The open LED detection circuit also pulls XERR to GND when tripped. The open LED status of each channel can also be read out from the AS1112 status information data (SID) during a greyscale data input cycle.

### Shorted LED Detection

The AS1112 integrated shorted LED detection circuit detects if any of the 16 LEDs is short-circuited. The shorted LED detection circuit trips when the error detection is activated and the voltage at OUT $n$  is higher than V $_{LSD}$ .

**Note:** The voltage at each OUT $n$  is sampled 1 $\mu$ s after being switched on. Please refer to Figure 10.

The shorted LED status of each channel can only be read out from the AS1112 status information data (SID) during a greyscale data input cycle.

Figure 10. Error Detection Timing (GS=FFFF<sub>HEX</sub>, DC=3F<sub>HEX</sub>)

**Note:** The rising edge of LD latches new data into the internal registers depending on the logic level of the pin MODE. If the pin MODE is tied GND, the greyscale registers are updated. If the pin MODE is tied to VCC, the dot correction registers are updated.

### Delay Between Outputs (only for AS1112 and AS1112B)

The AS1112 uses graduated delay circuits between OUT<sub>n</sub> outputs. These circuits are contained in the constant-current driver block of the AS1112 (see Figure 1 on page 1). The average-delay time is 30ns (typ).

The maximum delay is 450ns (typ) from OUT<sub>0</sub> to OUT<sub>15</sub>. The delay scheme works by switching on and switching off each output channel. Thus the on/off time of each channel is the same regardless of the delay. These delays prevent large inrush currents and switching noise that can reduce bypass capacitance when the outputs are switched on.

### OUT<sub>n</sub> Enable

All OUT<sub>n</sub> channels can be collectively switched off with one signal. When OEN is set to 1, all OUT<sub>n</sub> channels are disabled, regardless of the device logic operations. The greyscale counter is also reset when OEN is set to 1.

When OEN is set to 0, all OUT<sub>n</sub> channels are in normal operation.

Table 9. Pin OEN Truth Table

OEN	OUT <sub>0</sub> :OUT <sub>15</sub>
0	Normal Operation
1	Disabled

### Setting Maximum Channel Current

The maximum output current per channel is programmed by a single resistor, R<sub>IREF</sub>, which is placed between pin IREF and GND. The voltage on pin IREF is set by an internal band gap V<sub>IREF</sub> (1.24V typ). The maximum channel current is equivalent to the current flowing through R<sub>IREF</sub> multiplied by a factor of 31.5. The maximum output current is calculated as:

$$I_{MAX} = \frac{V_{IREF}}{R_{IREF}} \times 31.5 \quad (EQ 1)$$

#### Where:

V<sub>IREF</sub> = 1.24V;

R<sub>IREF</sub> = User-selected external resistor.

Figure 7 on page 7 shows the maximum output current I<sub>OUT</sub> versus R<sub>IREF</sub>, where R<sub>IREF</sub> is the value of the resistor between IREF terminal to GND, and I<sub>OUT</sub> is the constant output current of OUT<sub>0</sub>:OUT<sub>15</sub>.

## Power Dissipation

To ensure proper operation of the device, the total power dissipation of the AS1112 must be below the power dissipation rating of the device package. Total power dissipation is calculated as:

$$PD = (V_{CC} \times I_{CC}) + (V_{OUT} \times I_{MAX} \times n \times \frac{DC_n}{63} \times d_{PWM}) \quad (EQ 2)$$

### Where:

$V_{CC}$  is the device supply voltage;  
 $I_{CC}$  is the device supply current;  
 $V_{OUT}$  is the device  $OUT_n$  voltage when driving LED current;  
 $I_{MAX}$  is the LED current adjusted by  $R_{REF}$ ;  
 $DC_n$  is the maximum dot correction value for  $OUT_n$ ;  
 $n$  is the number of  $OUT_n$  driving LED at the same time;  
 $d_{PWM}$  is the duty cycle defined by pin OEN or the greyscale PWM value.

## Operating Modes

The AS1112 operates in two modes (see Table 10). Greyscale operating mode (see Figure 14 on page 13) and the shift registers are in reset state at power-up.

Table 10. Operating Modes

Mode	Input Shift Register	Operating Mode
0	192-bit	Greyscale PWM Mode
1	96-bit	Dot Correction Data Input Mode

## Setting Dot Correction

The AS1112 can perform independent fine-adjustments to the output current of each channel, i.e., dot correction. Dot correction is used to adjust brightness deviations of LEDs connected to the output channels ( $OUT_0:OUT_{15}$ ).

The device powers up with the following default settings:  $DC = 63$  and  $GS = 4095$ .

The 16 channels can be individually programmed with a 6-bit word. The channel output can be adjusted in 64 steps from 0 to 100% of the maximum output current ( $I_{MAX}$ ). The output current for each  $OUT_n$  channel can be calculated as:

$$I_{OUT_n} = I_{MAX} \times \frac{DC_n}{63} \quad (EQ 3)$$

### Where:

$I_{MAX}$  is the maximum programmable output current for each output;  
 $DC_n$  is the programmed dot correction value for output ( $DC_n = 0$  to  $63$ );  
 $n = 0$  to  $15$

Dot correction data are simultaneously entered for all channels. The complete dot correction data format consists of 16 x 6-bit words, which forms a 96-bit serial data packet (see Figure 11). Channel data is put on one by one, and the data is clocked in with the MSB first.

Figure 11. Dot Correction Data Packet Format

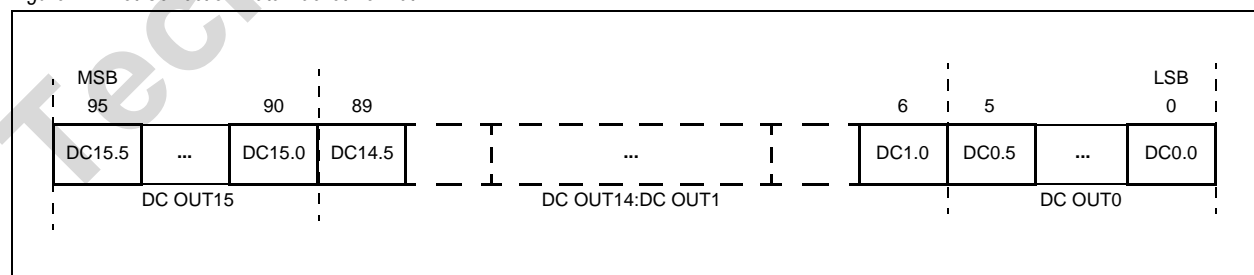
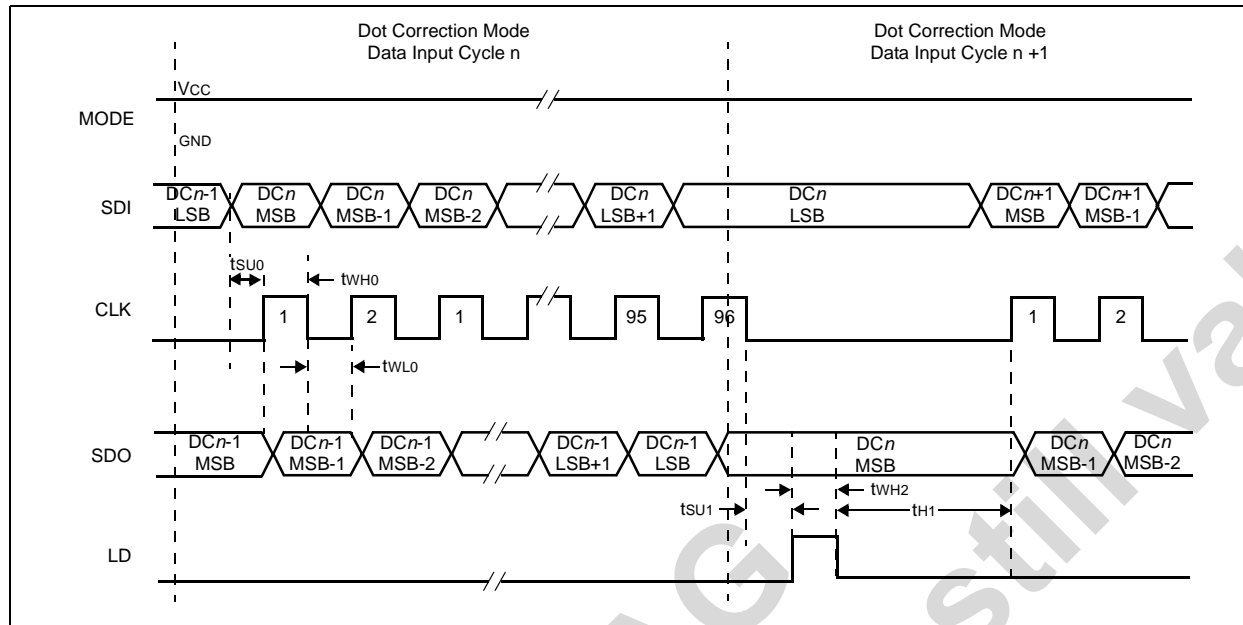


Figure 12. Dot Correction Data Input Timing Diagram



### Setting Greyscale Brightness

The brightness of each channel output can be adjusted using a 12 bits-per-channel PWM control scheme which results in 4096 brightness steps, from 0% to 100% brightness. The brightness level for each output is calculated as:

$$\% \text{Brightness} = \frac{\text{GS}_n}{4095} \times 100 \quad (\text{EQ 4})$$

#### Where:

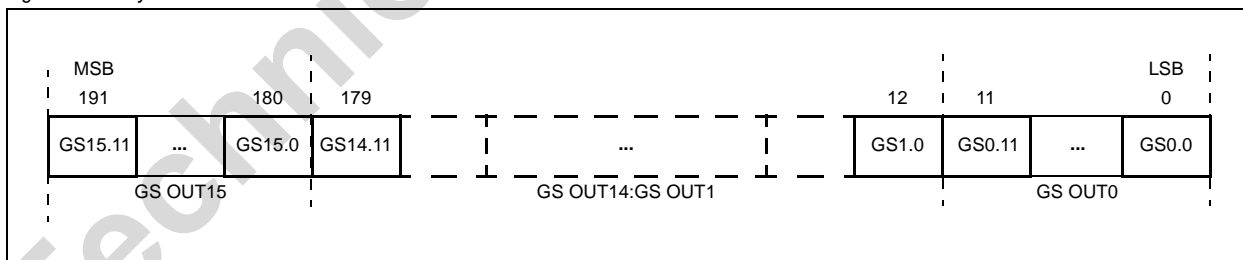
$\text{GS}_n$  is the programmed greyscale value for  $\text{OUT}_n$  ( $\text{GS}_n = 0$  to 4095);  
 $n = 0$  to 15 greyscale data for all outputs.

The device powers up with the following default settings:  $\text{GS} = 4095$  and  $\text{DC} = 63$ .

The input shift register shifts greyscale data into the greyscale register for all channels simultaneously. The complete greyscale data format consists of 16 x 12 bit words, which forms a 192-bit wide data packet (see Figure 13).

**Note:** The data packet must be clocked in with the MSB first.

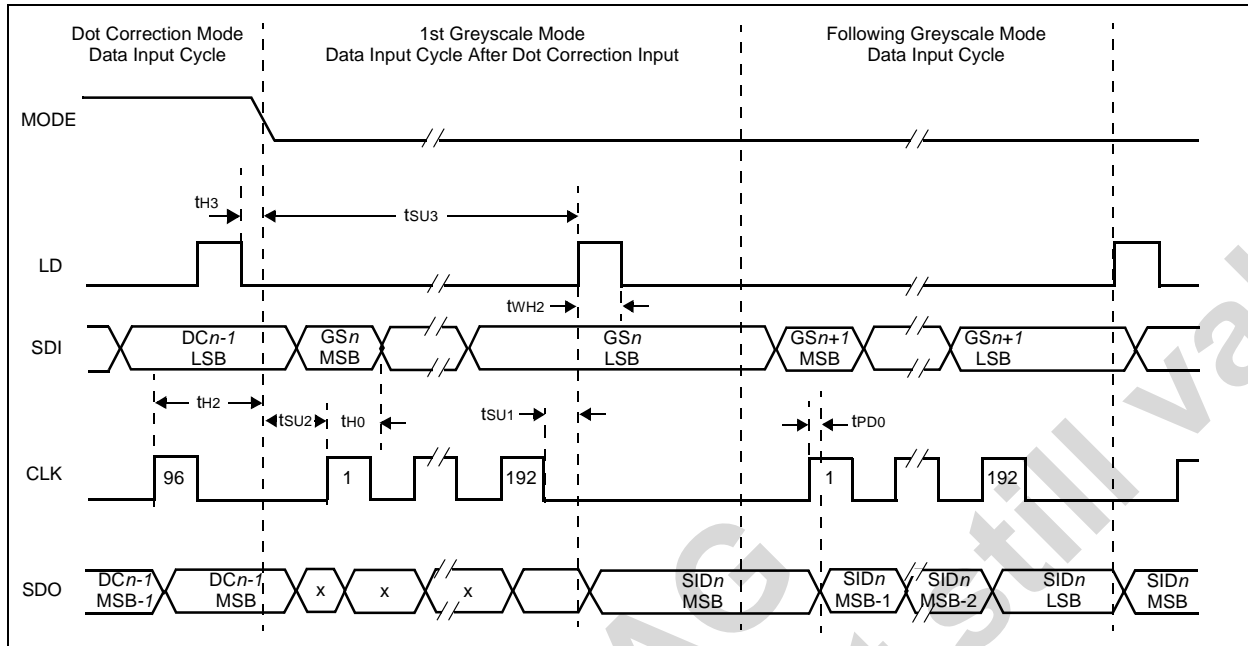
Figure 13. Greyscale Data Packet Format



When pin MODE is tied to GND, the AS1112 enters greyscale data input mode. The device switches the input shift register to 192-bit width. After all data is clocked in, the rising edge of the LD signal latches the data into the greyscale register (see Figure 14).

All greyscale data in the input shift register is replaced with status information data (SID) after latching into the greyscale register.

Figure 14. Greyscale Data Input Timing Diagram

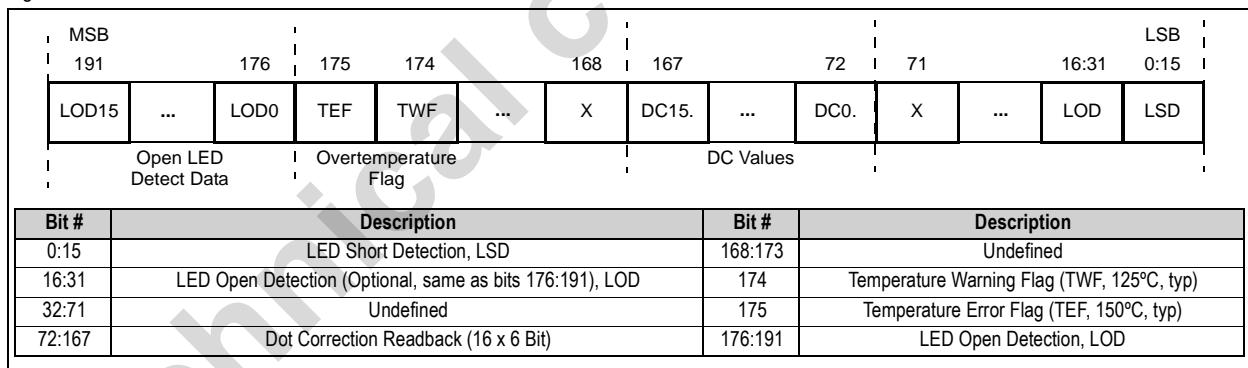


## Status Information Data (SID)

The AS1112 contains an integrated status information register, which can be accessed in greyscale mode (MODE = GND). Once the LD signal latches the data into the greyscale register, the input shift register data is replaced with status information data (see Figure 15).

Open, shorted LED, temperature warning and overtemperature flags as well as the dot-correction registers can be read out at pin SDO. The status information data packet is 192 bits wide. Bits 191:176 and 31:16 contain the open LED detection status of each channel (either 191:176 or 31:16 can be used for readout). Bit 175 contains the thermal error flag status. Bit 174 contains the temperature warning flag. Bits 167:72 contain the data of the dot-correction register. Bit 15:0 contains the LED shorted flags. The remaining bits are reserved. The complete status information data packet is shown in Figure 15.

Figure 15. Status Information Data Packet Format

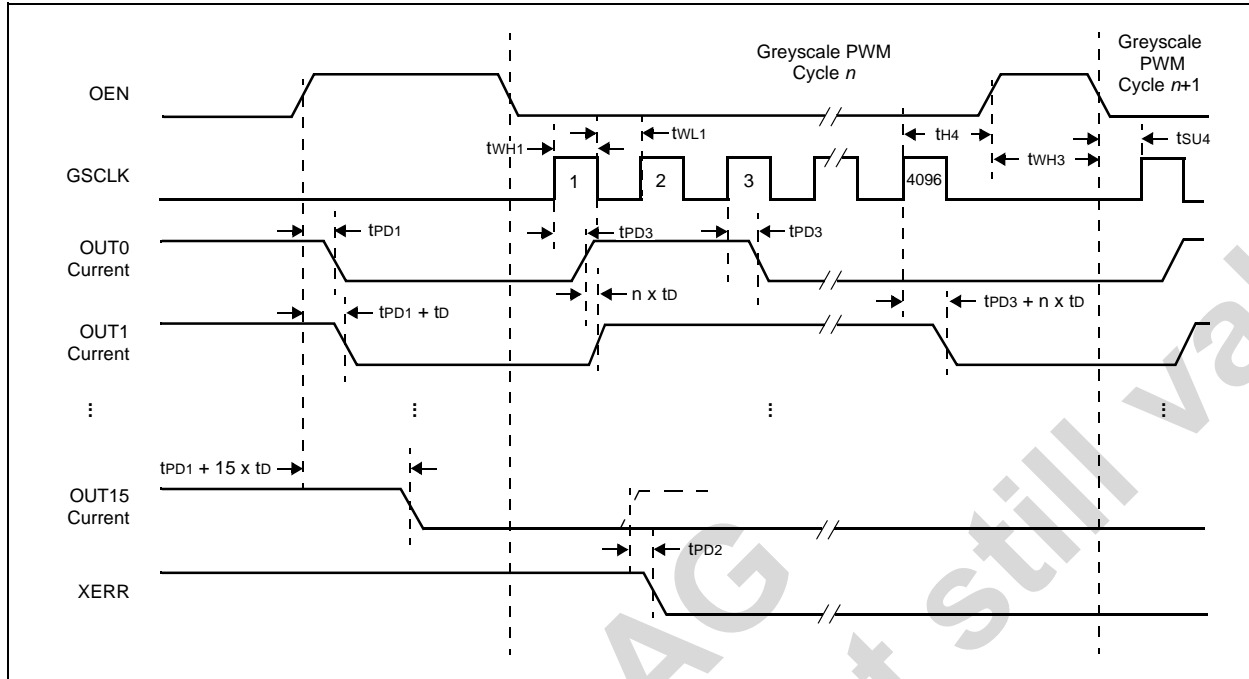


## Greyscale PWM Operation

The falling edge of the OEN signal initiates a greyscale PWM cycle. The first GSCLK pulse after the falling edge of OEN increments the greyscale counter by one and switches on any  $OUT_n$  whose greyscale value does not equal zero. Each subsequent rising edge of GSCLK increments the greyscale counter by one.

The AS1112 compares the greyscale value of each  $OUT_n$  channel with the greyscale counter value. All  $OUT_n$  whose greyscale values equal the counter values are switched off. A OEN = 1 signal after 4096 GSCLK pulses resets the greyscale counter to zero and completes a greyscale PWM cycle (see Figure 16).

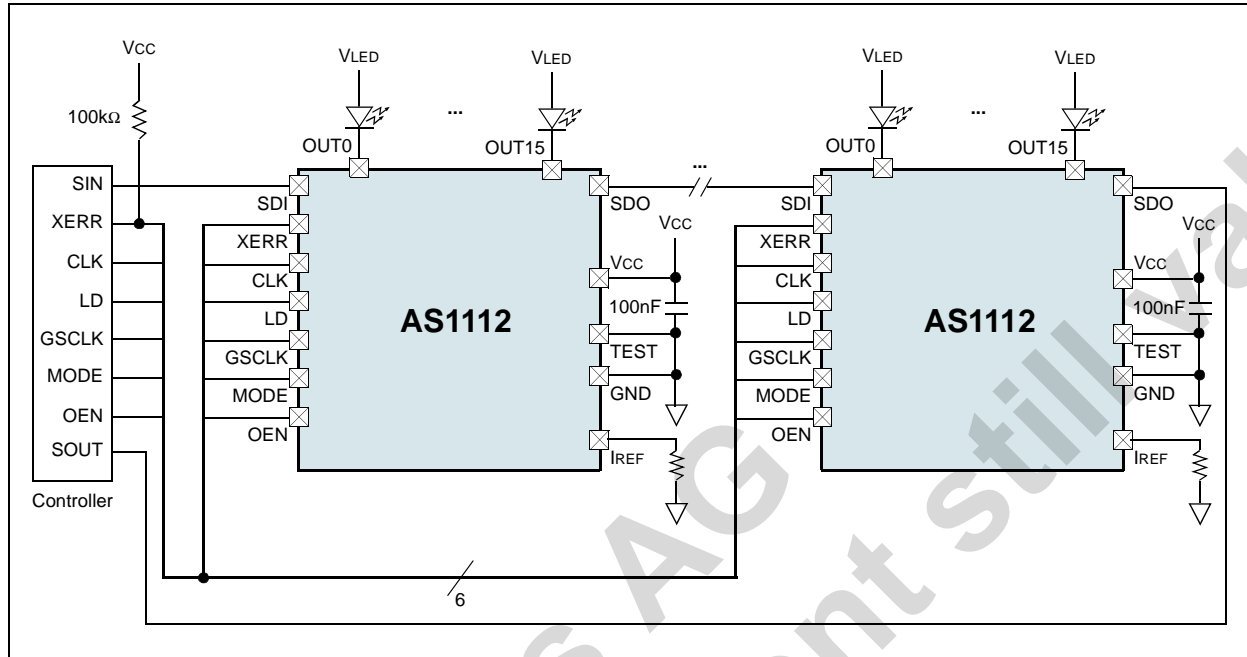
Figure 16. Greyscale PWM Cycle Timing Diagram



## Serial Data Transfer Rate

Figure 17 shows a cascaded arrangement AS1112 devices connected to a controller, building a basic module of an LED display system.

Figure 17. Cascaded Configuration



The maximum number of cascading AS1112 devices depends on the application system and is in the range of 40 devices. The minimum frequency needed can be calculated by the following equations:

$$f_{GSCLK} = 4096 \times f_{UPDATE} \quad (EQ 5)$$

**Where:**

$f_{GSCLK}$  is the minimum frequency needed for GSCLK;  
 $f_{UPDATE}$  is the update rate of whole cascaded system.

$$f_{CLK} = 193 \times f_{UPDATE} \times n \quad (EQ 6)$$

**Where:**

$f_{CLK}$  is the minimum frequency needed for CLK and SIN;  
 $f_{UPDATE}$  is the update rate of whole cascaded system;  
 $n$  is the number of cascaded of AS1112 devices.

## 10 Package Drawings and Markings

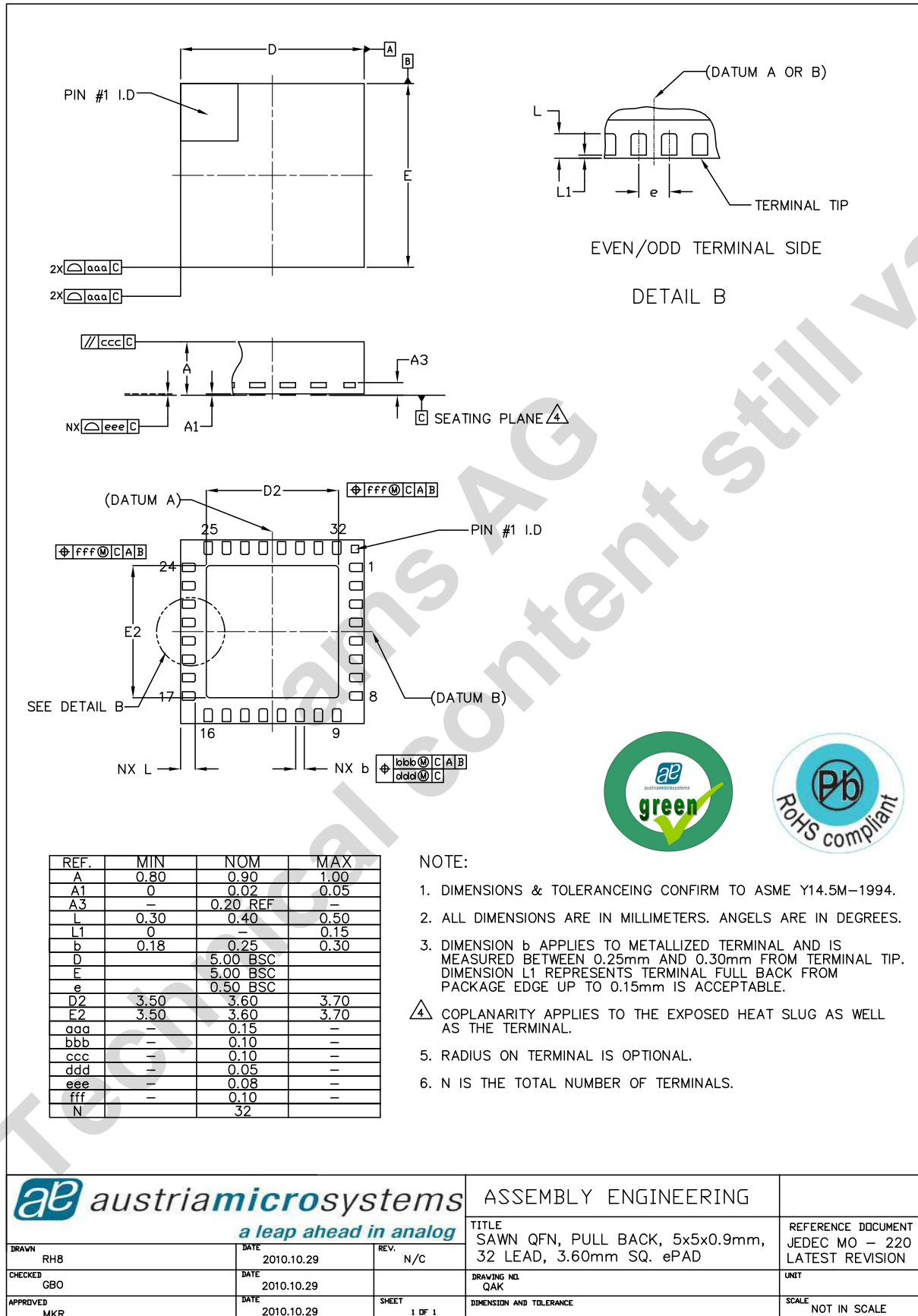
Figure 18. 32-pin TQFN 5x5 mm Marking



Figure 19. Packaging Code YYWWIZZ

YY	WW	I	ZZ
last two digits of the current year	manufacturing week	plant identifier	free choice / traceability code

Figure 20. 32-pin TQFN 5x5 mm Package



## 11 Ordering Information

The device is available as the standard products shown in [Table 11](#).

Table 11. Ordering Information

Ordering Code	Marking	Description	Delivery Form	Package
AS1112-BQFT	AS1112	16-Channel LED Driver with Dot Correction and Greyscale PWM with Active-High TEST Input and Power-Down Mode	Tape and Reel	32-pin TQFN 5x5 mm
AS1112B-BQFT	AS1112B	16-Channel LED Driver with Dot Correction and Greyscale PWM with Active-Low XTEST Input and without Power-Down Mode	Tape and Reel	32-pin TQFN 5x5 mm
AS1112C-BQFT	AS1112C	16-Channel LED Driver with Dot Correction and Greyscale PWM with Active-Low XTEST Input, without Power-Down Mode and without Output Delay	Tape and Reel	32-pin TQFN 5x5 mm

**Note:** All products are RoHS compliant and austriamicrosystems green.  
Buy our products or get free samples online at ICdirect: <http://www.austriamicrosystems.com/ICdirect>

Technical Support is found at <http://www.austriamicrosystems.com/Technical-Support>

For further information and requests, please contact us <mailto:sales@austriamicrosystems.com>  
or find your local distributor at <http://www.austriamicrosystems.com/distributor>

## Copyrights

Copyright © 1997-2012, austriamicrosystems AG, Tobelbaderstrasse 30, 8141 Unterpremstaetten, Austria-Europe. Trademarks Registered ©. All rights reserved. The material herein may not be reproduced, adapted, merged, translated, stored, or used without the prior written consent of the copyright owner.

All products and companies mentioned are trademarks or registered trademarks of their respective companies.

## Disclaimer

Devices sold by austriamicrosystems AG are covered by the warranty and patent indemnification provisions appearing in its Term of Sale. austriamicrosystems AG makes no warranty, express, statutory, implied, or by description regarding the information set forth herein or regarding the freedom of the described devices from patent infringement. austriamicrosystems AG reserves the right to change specifications and prices at any time and without notice. Therefore, prior to designing this product into a system, it is necessary to check with austriamicrosystems AG for current information. This product is intended for use in normal commercial applications. Applications requiring extended temperature range, unusual environmental requirements, or high reliability applications, such as military, medical life-support or life-sustaining equipment are specifically not recommended without additional processing by austriamicrosystems AG for each application. For shipments of less than 100 parts the manufacturing flow might show deviations from the standard production flow, such as test flow or test location.

The information furnished here by austriamicrosystems AG is believed to be correct and accurate. However, austriamicrosystems AG shall not be liable to recipient or any third party for any damages, including but not limited to personal injury, property damage, loss of profits, loss of use, interruption of business or indirect, special, incidental or consequential damages, of any kind, in connection with or arising out of the furnishing, performance or use of the technical data herein. No obligation or liability to recipient or any third party shall arise or flow out of austriamicrosystems AG rendering of technical or other services.



## Contact Information

### Headquarters

austriamicrosystems AG  
Tobelbaderstrasse 30  
A-8141 Unterpremstaetten, Austria



Tel: +43 (0) 3136 500 0  
Fax: +43 (0) 3136 525 01

For Sales Offices, Distributors and Representatives, please visit:

<http://www.austriamicrosystems.com/contact>

## Looking for pricing, stock, or lifecycle information?

Click below to explore more details on WIN SOURCE:

-  [View AS1112-BQFT on WIN SOURCE](#)
-  [ams Information](#)

## Optimize Your Supply Chain with WIN SOURCE Solutions

-  Global Sourcing Solution
-  Obsolete Management
-  Cost Control Management
-  Shortage Management
-  Alternative Solution
-  Excess Inventory Management