



**THE DATASHEET OF  
S1001-46R**



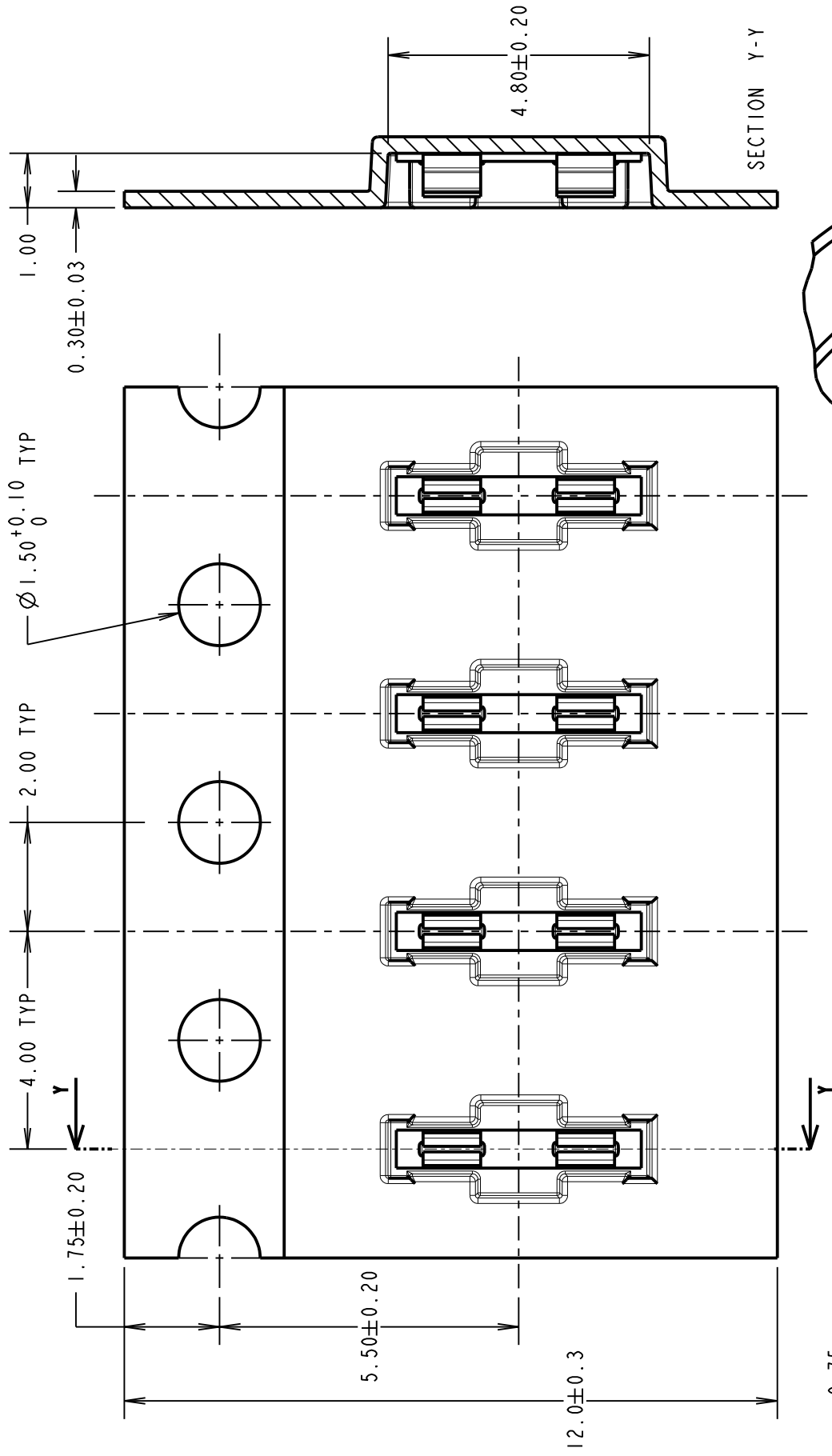
# Customer Information Sheet

DRAWING No.: S1001-46R

IF IN DOUBT - ASK

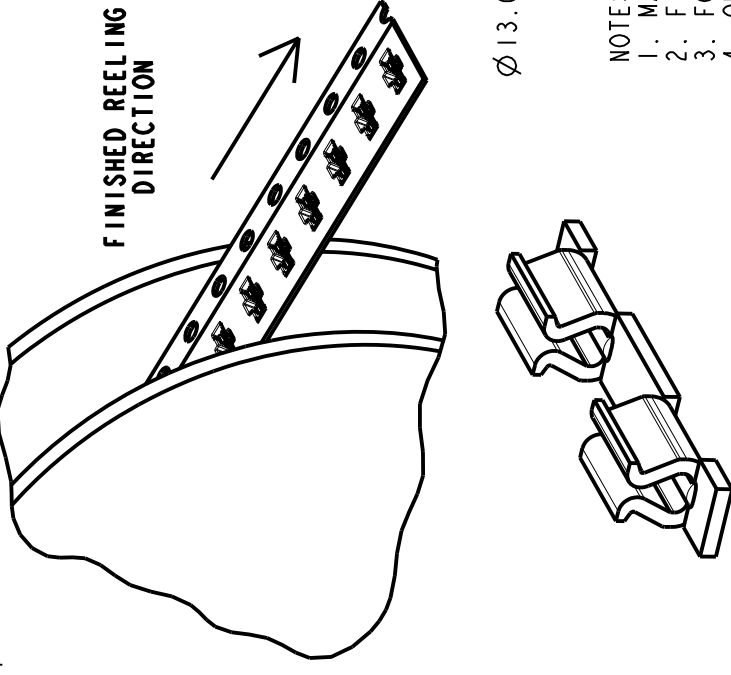
©

NOT TO SCALE

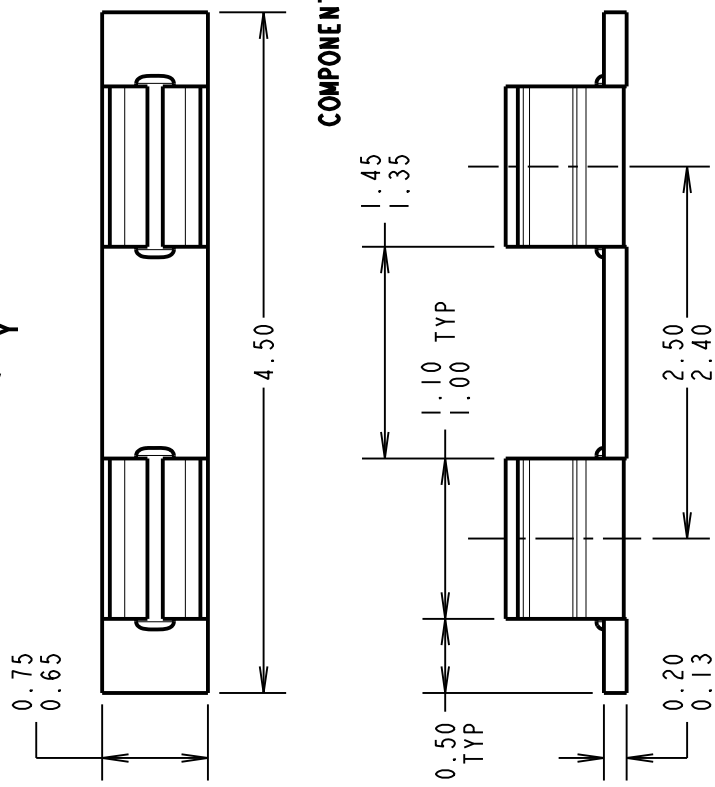


0.90  
0.75

SPECIFI  
MATERI  
CONTA  
ELECTR  
RESIS  
MECHAN  
INSER  
WITHD  
DURAB  
ENVIRO  
OPERA  
STORA  
PACKAG  
TAPE



NOTES:  
1. MAXIMUM PERMISSIBLE  
2. FINISH = 2.0µm - 3.0  
3. FOR USE WITH 0.15 -  
4. QUANTITY PER REEL =



COMPONENT DETAILS

**HARWIN**  
www.harwin.com  
technical@harwin.com

THIS DRAWING AND ANY  
INFORMATION OR DESCRIPTIVE  
MATTER SET OUT HEREON ARE  
CONFIDENTIAL AND COPYRIGHT  
PROPERTY OF THE HARWIN  
GROUP AND MUST NOT BE  
DISCLOSED, LOANED, COPIED  
OR USED FOR MANUFACTURING,  
TENDERING OR FOR ANY  
OTHER PURPOSE WITHOUT  
THEIR WRITTEN PERMISSION.

TOLERANCES  
X. = ±1mm  
X.X = ±0.50mm  
X.XX = ±0.20mm  
X.XXX = ±0.01mm  
ANGLES = ±5°  
UNLESS STATED

MATER  
FINIS  
S/AR

## Looking for pricing, stock, or lifecycle information?

Click below to explore more details on WIN SOURCE:

[View S1001-46R on WIN SOURCE](#)

[Harwin Inc. Information](#)

## Optimize Your Supply Chain with WIN SOURCE Solutions

- ✓ Global Sourcing Solution
- ✓ Obsolete Management
- ✓ Cost Control Management
- ✓ Shortage Management
- ✓ Alternative Solution
- ✓ Excess Inventory Management