



THE DATASHEET OF SMA-J-P-H-ST-EM1



SMA TO 26.5 GHz

SMA Cable Assemblies

RF047-A, RF086, RF23C, RF25S, RF402, RF405, RF180, RF280



VSWR

RF047-A: 1.30 max.
RF086: 1.30 max.
RF23C: 1.30 max.
RF180: 1.35 max.
RF280: 1.35 max.

Additional connector options available. Contact RFGroup@samtec.com

SERIES	END 1 CONNECTOR	END 2 CONNECTOR	OVERALL LENGTH
RF047-A = (1.2 mm) .047" overshield DIA 29 AWG millimeter wave cable	-01SP1* = SMA Straight Plug		-“XXXX” = Overall Length in millimeters
RF086 = (2.18 mm) .086" overshield DIA 23 AWG millimeter wave cable	-01RP1* = SMA Right-angle Plug (RF047-A, RF086, RF23C & RF25S not available)		-0100 (100 mm) 3.94" minimum (RF047-A, RF086, RF25S, RF402, & RF405)
RF23C = MCW-2350CU-01 millimeter wave cable with copper foil shield	-01BJ1* = SMA Bulkhead Jack (RF402 & RF405 not available)		-0152 (152 mm) 5.984" minimum (RF23C & RF180)
RF25S = MWC-2550-01 microwave cable with 25 AWG solid FEP dielectric	-01SB = Straight Bulkhead Jack, Sealed (RF047-A, RF086 & RF23C only)		-0200 (200 mm) 7.87" minimum (RF280)

*Remove last "1" from end connector when specifying RF047-A, RF086, RF23C, RF180 & RF280.

ALSO AVAILABLE

1.00 mm, 1.35 mm, 1.85 mm, 2.40 mm, 2.92 mm, SMPM, SMP = RF047-A

1.85 mm, 2.40 mm, 2.92 mm, SMPM, SMP = RF086

2.40 mm, 2.92 mm, SMPM, SMP = RF23C

SMP = RF25S, RF405

TNCA, N Type = RF180

TNCA, N Type = RF280

SMA Board Connectors

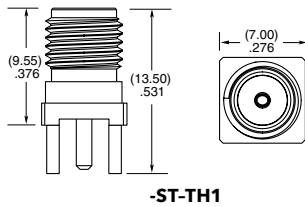
SMA-TH, SMA-SM, SMA-MT, SMA-EM

Cable Mates:

RF047-A, RF086, RF23C, RF25S, RF402, RF405, RF180, RF280



SMA	GENDER	TYPE	PLATING	ORIENTATION	TERMINATION
	-J = Jack	-P = PCB Mount	-H = 30 μ" (0.76 μm) Gold center contact, 3 μ" (0.08 μm) Gold outer contact	-ST = Straight	-TH1 = Through-hole
			-GF = 10 μ" (0.25 μm) Gold center contact, 3 μ" (0.08 μm) Gold outer contact (-SM1 only)	-RA = Right-angle	-SM1 = Surface Mount (-GF-RA only)
					-EM1 = Edge Mount (-ST only)
					-EM3 = Drop-in Edge Mount (-ST only)
					-MT1 = Mixed Technology (-ST only)



-ST-TH1

SMA Cable Connectors

PRF01

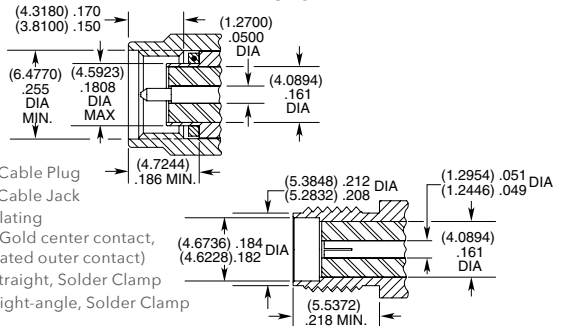


CONNECTORS FOR INDUSTRY STANDARD CABLES

PRF01-P-C-EP-120C-SS	Harbour LL120
PRF01-J-C-EP-142-SS	Harbour LL142
PRF01-P-C-EP-142-SS	Harbour LL142
PRF01-P-C-EP-142-RS	Harbour LL142
PRF01-P-C-EP-142A-SS	Harbour SB142
PRF01-P-C-EP-335-SS	Harbour LL335
PRF01-P-C-EP-335A-SS	Harbour LL335i
PRF01-P-C-EP-190-SS	Semflex HP190
PRF01-P-C-EP-190-RS	Semflex HP190
PRF01-P-C-EP-305-SS	Semflex HP305
PRF01-P-C-EP-290-SS	Semflex LA290

For a complete list of SMA cable connectors, visit www.samtec.com?PRF01

INTERFACE STANDARD



P-C = Cable Plug
 J-C = Cable Jack

EP = Plating

RS = Right-angle, Solder Clamp

SS = Straight, Solder Clamp

RS = Right-angle, Solder Clamp

Looking for pricing, stock, or lifecycle information?

Click below to explore more details on WIN SOURCE:

 [View SMA-J-P-H-ST-EM1 on WIN SOURCE](#)

 [Samtec Inc. Information](#)

Optimize Your Supply Chain with WIN SOURCE Solutions

-  Global Sourcing Solution
-  Obsolete Management
-  Cost Control Management
-  Shortage Management
-  Alternative Solution
-  Excess Inventory Management