



**THE DATASHEET OF
PI4IOE5V9536UEX**



Description

The DIODES PI4IOE5V9536 provides 4 bits of General Purpose parallel Input/Output (GPIO) expansion for I²C-bus/SMBus applications. It includes the features such as higher driving capability, 5V tolerance, lower power supply, individual I/O configuration, and smaller packaging. It provides a simple solution when additional I/O is needed for ACPI power switches, sensors, push buttons, LEDs, fans, etc.

The PI4IOE5V9536 consists of a 4-bit registers to configure the I/Os as either inputs or outputs, and a 4-bit polarity registers to change the polarity of the input port register data. The data for each input or output is kept in the corresponding Input port or Output port register. All registers can be read by the system master.

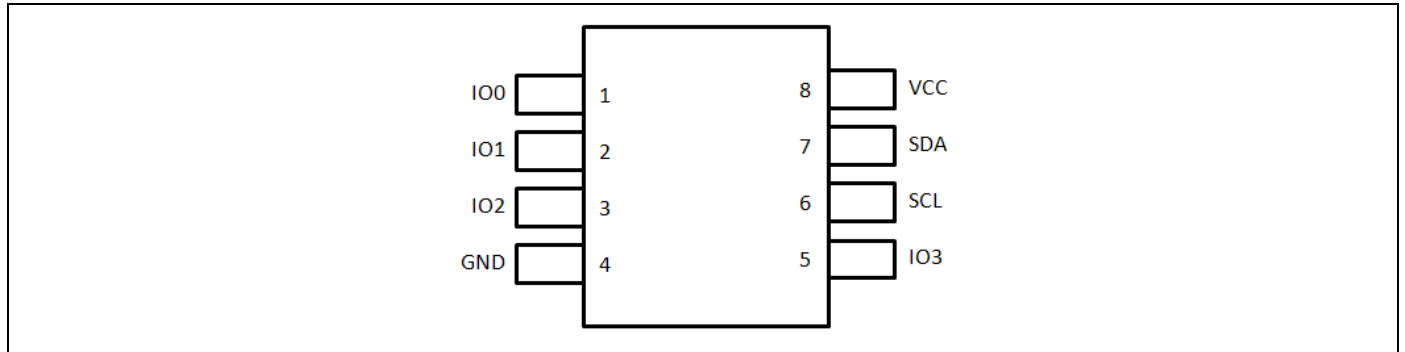
Features

- Operation power supply voltage from 2.3V to 5.5V
- 4-bit I²C-bus GPIO with 5V tolerant I/Os
- Polarity inversion register
- Low current consumption
- 0Hz to 1MHz clock frequency
- Noise filter on SCL/SDA inputs
- Power-on reset
- 4 I/O pin which default to 4 inputs with 100kΩ pull-up resistor
- ESD protection (4KV HBM and 1KV CDM)
- Totally Lead-Free & Fully RoHS Compliant (Notes 1 & 2)
- Halogen and Antimony Free. "Green" Device (Note 3)
- For automotive applications requiring specific change control (i.e. parts qualified to AEC-Q100/101/104/200, PPAP capable, and manufactured in IATF 16949 certified facilities), please [contact us](#) or your local Diodes representative.
<https://www.diodes.com/quality/product-definitions/>
- Packaging (Pb-free & Green):
 - MSOP-8(U)

Notes:

1. No purposely added lead. Fully EU Directive 2002/95/EC (RoHS), 2011/65/EU (RoHS 2) & 2015/863/EU (RoHS 3) compliant.
2. See <https://www.diodes.com/quality/lead-free/> for more information about Diodes Incorporated's definitions of Halogen- and Antimony-free, "Green" and Lead-free.
3. Halogen- and Antimony-free "Green" products are defined as those which contain <900ppm bromine, <900ppm chlorine (<1500ppm total Br + Cl) and <1000ppm antimony compounds.

Pin Configuration



MSOP Package

Pin Description

Pin	Name	Type	Description
1	IO0	I/O	input/output 0
2	IO1	I/O	input/output 1
3	IO2	I/O	input/output 2
4	GND	G	Supply Ground
5	IO3	I/O	input/output 3
6	SCL	I	Serial clock line
7	SDA	I/O	Serial data line
8	VCC	P	Power supply

* I = Input; O = Output; P = Power; G = Ground

Maximum Ratings

Power Supply.....	-0.5V to +6.0V
Voltage on an I/O Pin.....	GND-0.5V to +6.0V
Input Current.....	±20mA
Output Current on an I/O Pin.....	±50mA
Supply Current.....	85mA
Ground Supply Current.....	100mA
Total Power Dissipation.....	200mW
Operation Temperature.....	-40~85°C
Storage Temperature.....	-65~150°C
Maximum Junction Temperature, T _j (max).....	125°C

Note:

Stresses greater than those listed under MAXIMUM RATINGS may cause permanent damage to the device. This is a stress rating only and functional operation of the device at these or any other conditions above those indicated in the operational sections of this specification is not implied. Exposure to absolute maximum rating conditions for extended periods may affect reliability.

Static Characteristics

VCC = 2.3V to 5.5V; GND = 0 V; Tamb = -40°C to +85°C; unless otherwise specified.

Symbol	Parameter	Conditions	Min.	Typ.	Max.	Unit
Power supply						
VCC	Supply voltage		2.3	-	5.5	V
I _{CC}	Supply current	Operating mode; VCC = 5.5V; no load; fSCL = 1MHz,	-	100	150	μA
		Operating mode; VCC = 2.3V; no load; fSCL = 1MHz		20	40	μA
I _{sb}	Standby current	Standby mode; VCC = 5.5V; no load; VI = GND; fSCL = 0 kHz; I/O = inputs	-	225	350	uA
		Standby mode; VCC = 5.5V; no load; VI = VCC; fSCL = 0 kHz; I/O = inputs	-	0.25	1	μA
V _{FOR}	Power-on reset voltage ⁽¹⁾		-	1.16	1.41	V
Input SCL, input/output SDA						
V _{IL}	Low level input voltage		-0.5	-	+0.3VCC	V
V _{IH}	High level input voltage		0.7VCC	-	5.5	V
I _{OL}	Low level output current	V _{OL} = 0.4V	3	6	-	mA
I _L	Leakage current	V _I = VCC = GND	-1	-	1	μA
C _i	Input capacitance	V _I = GND	-	6	10	pF
I/Os						
V _{IL}	Low level input voltage		-0.5	-	+0.81	V
V _{IH}	High level input voltage		+1.8	-	5.5	V
I _{OL}	Low level output current	VCC = 2.3V; V _{OL} = 0.5V ⁽²⁾	8	10	-	mA
		VCC = 2.3V; V _{OL} = 0.7V ⁽²⁾	10	13	-	mA
		VCC = 3.0V; V _{OL} = 0.5V ⁽²⁾	8	14	-	mA
		VCC = 3.0V; V _{OL} = 0.7V ⁽²⁾	10	19	-	mA
		VCC = 4.5V; V _{OL} = 0.5V ⁽²⁾	8	17	-	mA
		VCC = 4.5V; V _{OL} = 0.7V ⁽²⁾	10	24	-	mA
V _{OH}	High level output voltage	I _{OH} = -8mA; VCC = 2.3V ⁽³⁾	1.8	-	-	V
		I _{OH} = -10mA; VCC = 2.3V ⁽³⁾	1.7	-	-	V
		I _{OH} = -8mA; VCC = 3.0V ⁽³⁾	2.6	-	-	V
		I _{OH} = -10mA; VCC = 3.0V ⁽³⁾	2.5	-	-	V
		I _{OH} = -8mA; VCC = 4.75V ⁽³⁾	4.1	-	-	V
		I _{OH} = -10mA; VCC = 4.75V ⁽³⁾	4.0	-	-	V

Symbol	Parameter	Conditions	Min.	Typ.	Max.	Unit
I _{LH}	High level input leakage current	VCC = 3.6V; V _I = VCC	-	-	1	μA
I _{LIL}	Low level input leakage current	VCC = 5.5V; V _I = GND	-	-	-100	μA
C _i	Input capacitance		-	3.7	10	pF
C _o	Output capacitance		-	3.7	10	pF

Note:

- VCC must be lowered to 0.2 V for at least 5 us in order to reset part.
- Each I/O must be externally limited to a maximum of 25 mA and the device must be limited to a maximum current of 100 mA
- The total current sourced by all I/Os must be limited to 85mA.

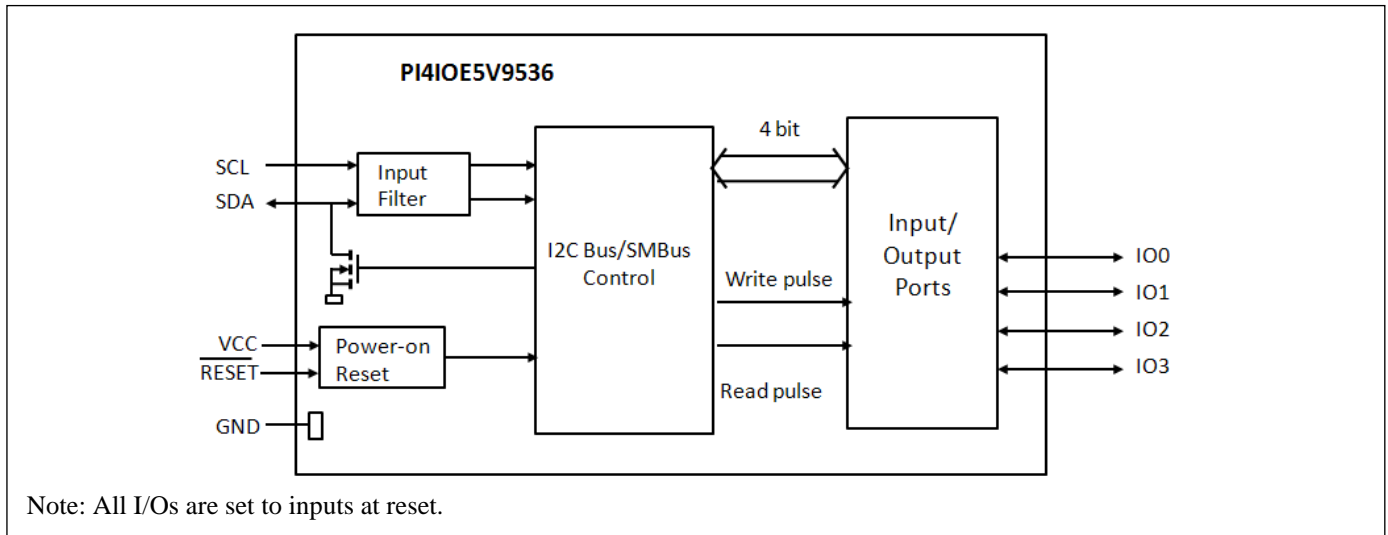
Dynamic Characteristics

Symbol	Parameter	Standard mode f°C		Fast mode f°C		Fast mode Plus f°C		Unit
		Min	Max	Min	Max	Min	Max	
f _{SCL}	SCL clock frequency	0	100	0	400	0	1000	kHz
t _{BUF}	bus free time between a STOP and START condition	4.7	-	1.3	-	0.5	-	μs
t _{HD,STA}	hold time (repeated) START condition	4.0	-	0.6	-	0.26	-	μs
t _{SU,STA}	set-up time for a repeated START condition	4.7	-	0.6	-	0.26	-	μs
t _{SU,STO}	set-up time for STOP condition	4.0	-	0.6	-	0.26	-	μs
t _{VD,ACK} ⁽¹⁾	data valid acknowledge time	-	3.45	-	0.9	-	0.45	μs
t _{HD,DAT} ⁽²⁾	data hold time	0	-	0	-	0	-	ns
t _{VD,DAT}	data valid time	-	3.45	-	0.9	-	0.45	us
t _{SU,DAT}	data set-up time	250	-	100	-	50	-	ns
t _{LOW}	LOW period of the SCL clock	4.7	-	1.3	-	0.5	-	μs
t _{HIGH}	HIGH period of the SCL clock	4.0	-	0.6	-	0.26	-	μs
t _f	fall time of both SDA and SCL signals	-	300	-	300	-	120	ns
t _r	rise time of both SDA and SCL signals	-	1000	-	300	-	120	ns
t _{SP}	pulse width of spikes that must be suppressed by the input filter	-	50	-	50	-	50	ns
Port Timing								
t _{v(Q)}	Data output valid time ⁽³⁾	-	200	-	200	-	200	ns
t _{su(D)}	Data input set-up time	100	-	100	-	100	-	ns
T _{h(D)}	Data input hold time	1	-	1	-	1	-	μs

Note:

- t_{VD,ACK} = time for acknowledgement signal from SCL LOW to SDA (out) LOW.
- t_{VD,DAT} = minimum time for SDA data out to be valid following SCL LOW.
- t_{v(Q)} measured from 0.7VCC on SCL to 50% I/O output.

PI4IOE5V9536 Block Diagram



Details Description

a. Device Address

Table 1. Device Address

	b7(MSB)	b6	b5	b4	b3	b2	b1	b0
Address Byte	1	0	0	0	0	0	1	R/W

Note: Read "1", Write "0"

b. Registers

i. Command Byte

The command byte is the first byte to follow the address byte during a write transmission. It is used as a pointer to determine which of the following registers will be written or read.

Table 2. Command Byte

Command	Register
0	Input port register
1	Output port register
2	Polarity inversion register
3	Configuration register

ii. Register 0: Input Port Registers

This register is a read-only port. It reflects the incoming logic levels of the pins, regardless of whether the pin is defined as an input or an output by Register 2. Writes to this register have no effect.

The default value 'X' is determined by the externally applied logic level.

Table 3. Input Port 0 Register

Bit	7	6	5	4	3	2	1	0
Symbol	I7	I6	I5	I4	I3	I2	I1	I0
Default	1	1	1	1	X	X	X	X

iii. Register 1: Output Port Register

This register is an output-only port. It reflects the outgoing logic levels of the pins defined as outputs by Registers 3. Bit values in this register have no effect on pins defined as inputs. In turn, reads from this register reflect the value that is in the flip-flop controlling the output selection, not the actual pin value.

Table 4. Output Port 0 Register

Bit	7	6	5	4	3	2	1	0
Symbol	O7	O6	O5	O4	O3	O2	O1	O0
Default	1	1	1	1	1	1	1	1

iv. Register 2: Polarity Inversion Register

This register allows the user to invert the polarity of the Input port register data. If a bit in this register is set (written with '1'), the Input port data polarity is inverted. If a bit in this register is cleared (written with a '0'), the Input port data polarity is retained.

Table 5. Polarity Inversion Port 0 Register

Bit	7	6	5	4	3	2	1	0
Symbol	N7	N6	N5	N4	N3	N2	N1	N0
Default	0	0	0	0	0	0	0	0

v. Register 3: Configuration Registers

This register configures the directions of the I/O pins. If a bit in this register is set (written with '1'), the corresponding port pin is enabled as an input with high-impedance output driver. If a bit in this register is cleared (written with '0'), the corresponding port pin is enabled as an output. At reset, the I/Os are configured as inputs with a weak pull-up to VCC

Table 6. Configuration Port 0 Register

Bit	7	6	5	4	3	2	1	0
Symbol	C7	C6	C5	C4	C3	C2	C1	C0
Default	1	1	1	1	1	1	1	1

c. Power-on Reset

When power is applied to VCC, an internal power-on reset holds the PI4IOE5V9536 in a reset condition until VCC has reached V_{POR} . At that point, the reset condition is released and the PI4IOE5V9536 registers and SMBus state machine will initialize to their default states. Thereafter, VCC must be lowered below 0.2V to reset the device. For a power reset cycle, VCC must be lowered below 0.2V and then restored to the operating voltage.

d. I/O Port

When an I/O is configured as an input, FETs Q1 and Q2 are off, creating a high-impedance input. The input voltage may be raised above VCC to a maximum of 5.5V.

If the I/O is configured as an output, then either Q1 or Q2 is on, depending on the state of the Output Port register. Care should be exercised if an external voltage is applied to an I/O configured as an output because of the low-impedance path that exists between the pin and either VCC or GND.

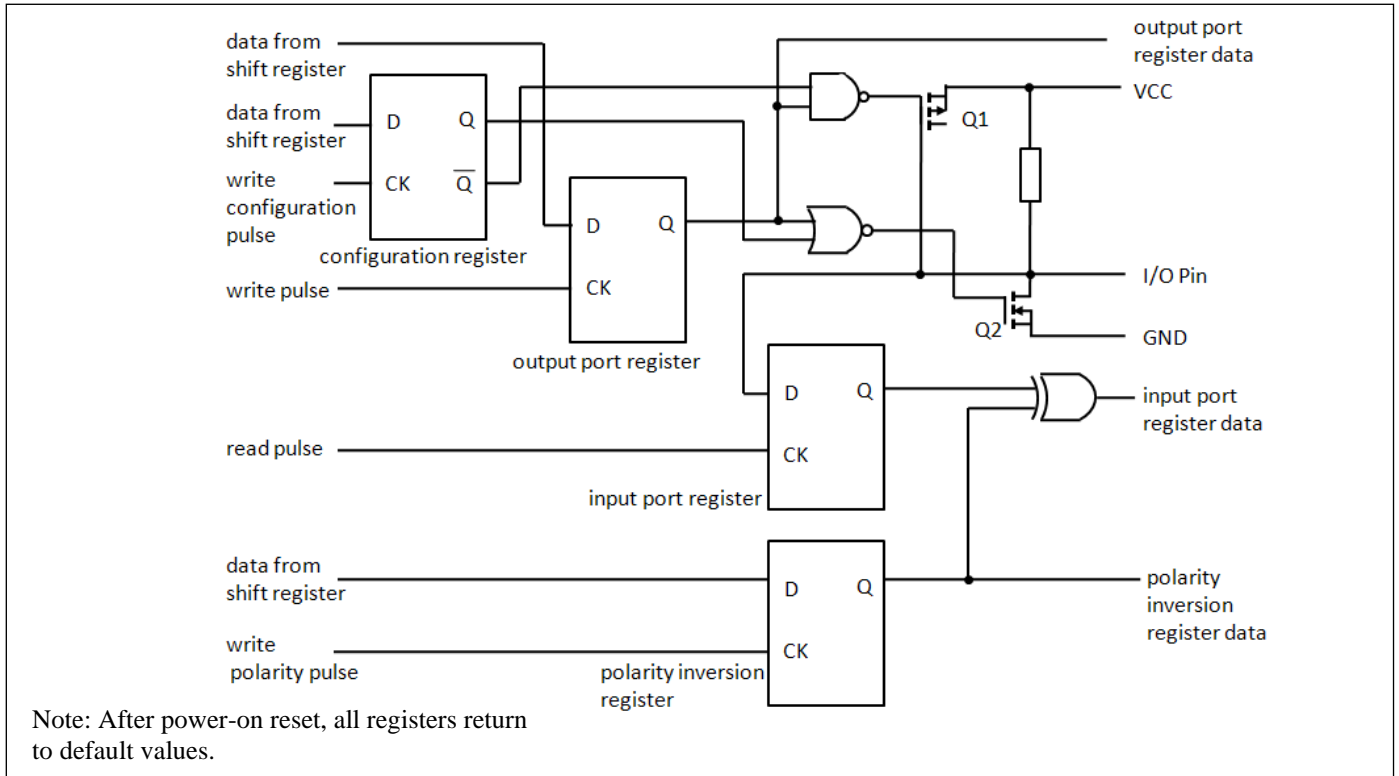


Figure 1. Simplified Schematic of I/Os

e. Bus Transaction

Data is transmitted to the PI4IOE5V9536 using the Write mode as shown in Figure 2. Data is read from the PI4IOE5V9536 using the read mode as shown in Figure 4. These devices do not implement an auto-increment function, so once a command byte has been sent, the register which was addressed will continue to be accessed by reads until a new command byte has been sent.

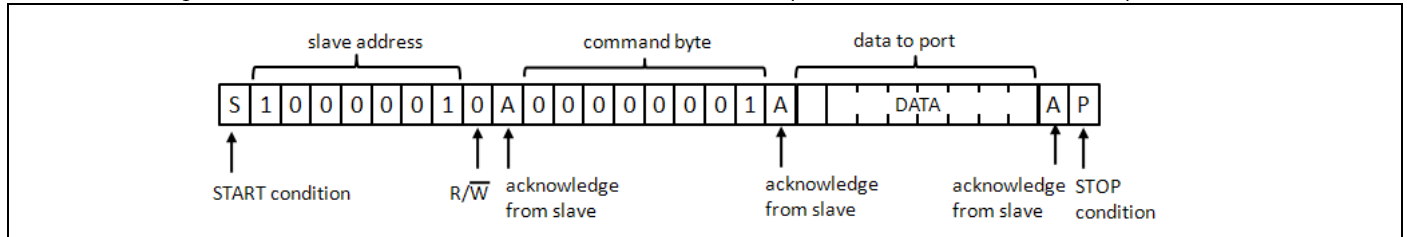


Figure 2. Write to Output Registers

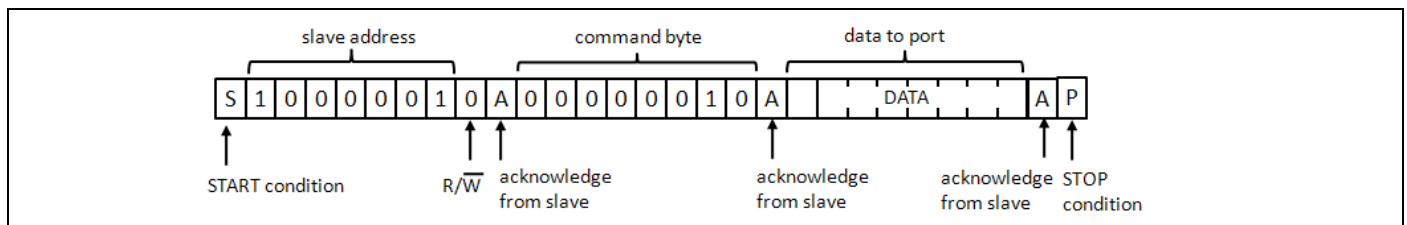


Figure 3. Write to Polarity Inversion Registers

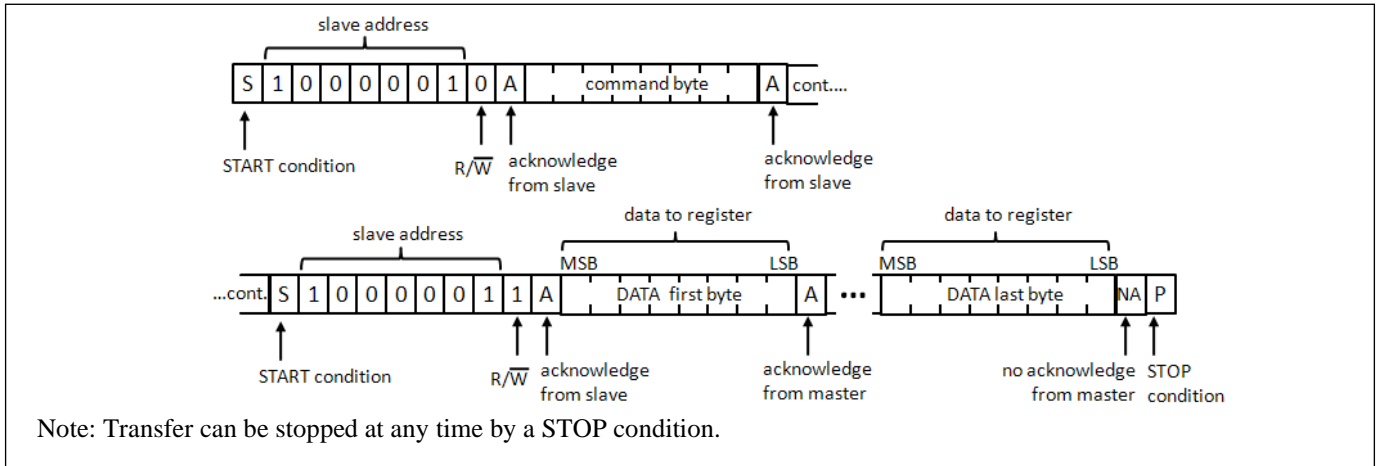


Figure 4. Read from Registers

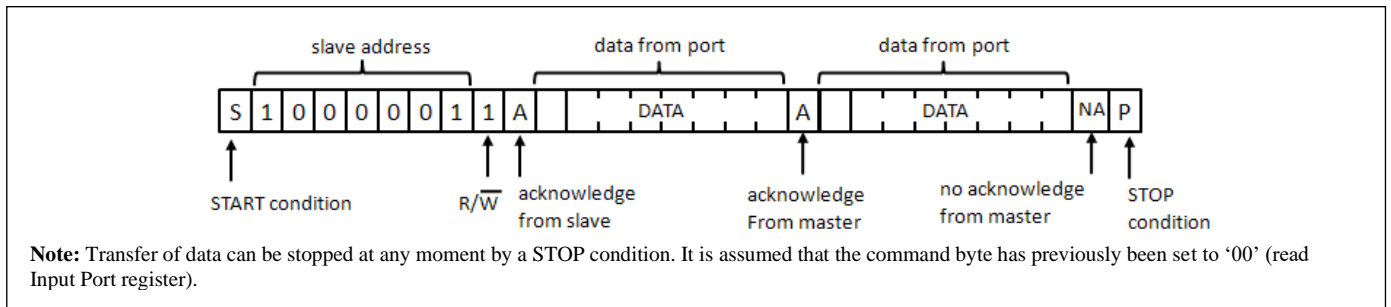


Figure 5. Read Input Port Register

Application Design-In Information

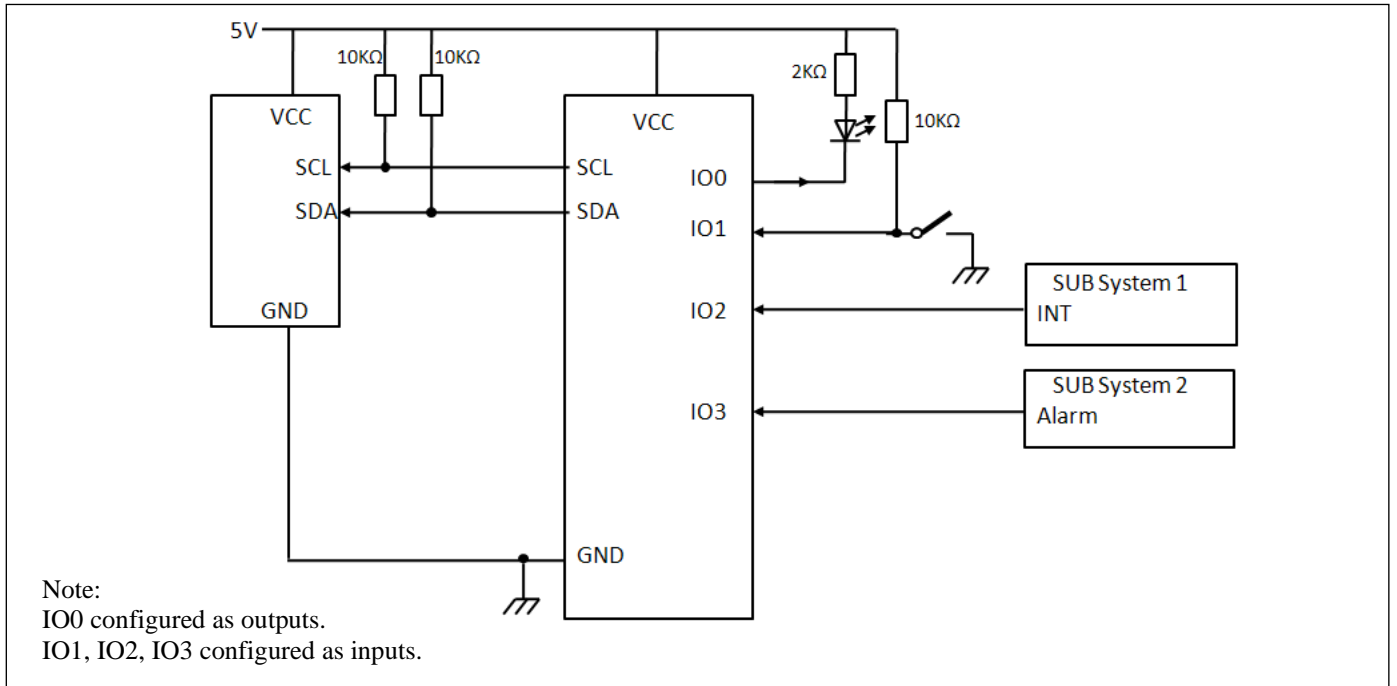


Figure 6. Typical Application

Part Marking

IOE5V9
536UE
ABK \bar{G}

AB: Date Code (Year & Workweek)
K: Assembly Site Code
G: Wafer Fab Site Code
Bar above "G" means Cu wire

Packaging Mechanical

MSOP-8 (U)

PKG DIMENSIONS(MM)		
SYMBOL	Min.	Max.
A	-	1.10
A1	0.00	0.15
A2	0.75	0.95
b	0.22	0.38
c	0.08	0.23
D	2.80	3.20
E	4.65	5.15
E1	2.80	3.20
e	0.65 BSC	
L	0.40	0.80
L1	0.95 REF	
θ	0°	8°

RECOMMENDED LAND PATTERN(unit:mm)

NOTE:
 1. ALL DIMENSIONS ARE IN MILLIMETERS. ANGLES IN DEGREES.
 2. REFER JEDEC MO-187F/AA
 3. PACKAGE OUTLINE DIMENSIONS DO NOT INCLUDE MOLD FLASH AND METAL BURR.
 4. LAND PATTERN REFERENCE DIODES MSOP-8 PACKAGE INFORMATION.

DIODES INCORPORATED	PERICOM ENABLING SERIAL CONNECTIVITY	DATE: 11/04/19
DESCRIPTION: 8-Pin, Mini Small Outline Package, MSOP		
PACKAGE CODE: U (U8)		
DOCUMENT CONTROL #: PD-1261	REVISION: H	

19-1147

For latest package info.

please check: <http://www.diodes.com/design/support/packaging/pericom-packaging/packaging-mechanicals-and-thermal-characteristics/>

Ordering Information

Part Number	Package Code	Package Description
PI4IOE5V9536UEX	U	8-Pin, Mini Small Outline Package (MSOP)

Notes:

- No purposely added lead. Fully EU Directive 2002/95/EC (RoHS), 2011/65/EU (RoHS 2) & 2015/863/EU (RoHS 3).compliant.
- See <http://www.diodes.com/quality/lead-free/> for more information about Diodes Incorporated's definitions of Halogen- and Antimony-free, "Green" and Lead-free.
- Thermal characteristics can be found on the company web site at www.diodes.com/design/support/packaging/
- E = Pb-free and Green
- X suffix = Tape/Reel

IMPORTANT NOTICE

1. DIODES INCORPORATED (Diodes) AND ITS SUBSIDIARIES MAKE NO WARRANTY OF ANY KIND, EXPRESS OR IMPLIED, WITH REGARDS TO ANY INFORMATION CONTAINED IN THIS DOCUMENT, INCLUDING, BUT NOT LIMITED TO, THE IMPLIED WARRANTIES OF MERCHANTABILITY, FITNESS FOR A PARTICULAR PURPOSE OR NON-INFRINGEMENT OF THIRD PARTY INTELLECTUAL PROPERTY RIGHTS (AND THEIR EQUIVALENTS UNDER THE LAWS OF ANY JURISDICTION).
2. The Information contained herein is for informational purpose only and is provided only to illustrate the operation of Diodes' products described herein and application examples. Diodes does not assume any liability arising out of the application or use of this document or any product described herein. This document is intended for skilled and technically trained engineering customers and users who design with Diodes' products. Diodes' products may be used to facilitate safety-related applications; however, in all instances customers and users are responsible for (a) selecting the appropriate Diodes products for their applications, (b) evaluating the suitability of Diodes' products for their intended applications, (c) ensuring their applications, which incorporate Diodes' products, comply the applicable legal and regulatory requirements as well as safety and functional-safety related standards, and (d) ensuring they design with appropriate safeguards (including testing, validation, quality control techniques, redundancy, malfunction prevention, and appropriate treatment for aging degradation) to minimize the risks associated with their applications.
3. Diodes assumes no liability for any application-related information, support, assistance or feedback that may be provided by Diodes from time to time. Any customer or user of this document or products described herein will assume all risks and liabilities associated with such use, and will hold Diodes and all companies whose products are represented herein or on Diodes' websites, harmless against all damages and liabilities.
4. Products described herein may be covered by one or more United States, international or foreign patents and pending patent applications. Product names and markings noted herein may also be covered by one or more United States, international or foreign trademarks and trademark applications. Diodes does not convey any license under any of its intellectual property rights or the rights of any third parties (including third parties whose products and services may be described in this document or on Diodes' website) under this document.
5. Diodes' products are provided subject to Diodes' Standard Terms and Conditions of Sale (<https://www.diodes.com/about/company/terms-and-conditions/terms-and-conditions-of-sales/>) or other applicable terms. This document does not alter or expand the applicable warranties provided by Diodes. Diodes does not warrant or accept any liability whatsoever in respect of any products purchased through unauthorized sales channel.
6. Diodes' products and technology may not be used for or incorporated into any products or systems whose manufacture, use or sale is prohibited under any applicable laws and regulations. Should customers or users use Diodes' products in contravention of any applicable laws or regulations, or for any unintended or unauthorized application, customers and users will (a) be solely responsible for any damages, losses or penalties arising in connection therewith or as a result thereof, and (b) indemnify and hold Diodes and its representatives and agents harmless against any and all claims, damages, expenses, and attorney fees arising out of, directly or indirectly, any claim relating to any noncompliance with the applicable laws and regulations, as well as any unintended or unauthorized application.
7. While efforts have been made to ensure the information contained in this document is accurate, complete and current, it may contain technical inaccuracies, omissions and typographical errors. Diodes does not warrant that information contained in this document is error-free and Diodes is under no obligation to update or otherwise correct this information. Notwithstanding the foregoing, Diodes reserves the right to make modifications, enhancements, improvements, corrections or other changes without further notice to this document and any product described herein. This document is written in English but may be translated into multiple languages for reference. Only the English version of this document is the final and determinative format released by Diodes.
8. Any unauthorized copying, modification, distribution, transmission, display or other use of this document (or any portion hereof) is prohibited. Diodes assumes no responsibility for any losses incurred by the customers or users or any third parties arising from any such unauthorized use.
9. This Notice may be periodically updated with the most recent version available at <https://www.diodes.com/about/company/terms-and-conditions/important-notice>

The Diodes logo is a registered trademark of Diodes Incorporated in the United States and other countries.



All other trademarks are the property of their respective owners.

© 2024 Diodes Incorporated. All Rights Reserved.

www.diodes.com

Looking for pricing, stock, or lifecycle information?

Click below to explore more details on WIN SOURCE:

-  [View PI4IOE5V9536UEX on WIN SOURCE](#)
-  [Diodes Incorporated Information](#)

Optimize Your Supply Chain with WIN SOURCE Solutions

-  Global Sourcing Solution
-  Obsolete Management
-  Cost Control Management
-  Shortage Management
-  Alternative Solution
-  Excess Inventory Management