



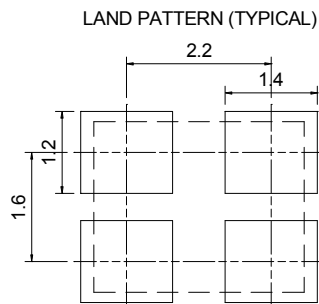
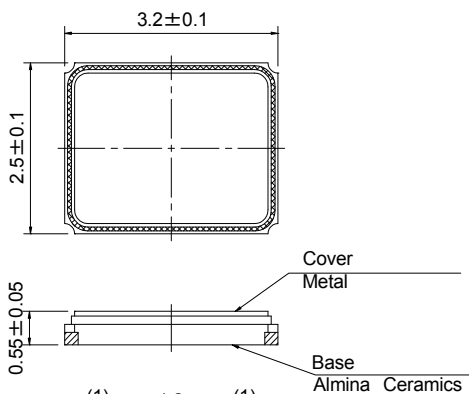
**THE DATASHEET OF
NX3225SA-32MHZ-EXS00A-CS02368**



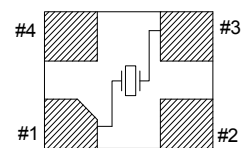
1	NDK Part Number	NX3225SA-32MHZ-EXS00A-CS02368
2	Chipset Maker	FREESCALE
3	Application	ZigBee/RF4CE, IEEE® 802.15.4 SOC Solution Sub-1 GHz (ISM Frequency Band) RF Transceiver SIP
4	Chipset Name	MC1323X MC12311
5	NDK Specification Number	EXS00A-CS02368
6	Type	NX3225SA
7	Electrical Characteristics	
7.1	Nominal Frequency (f_{nom})	32.000 MHz
7.2	Overtone order	Fundamental
7.3	Adjustment tolerance	$\pm 10 \times 10^{-6}$ max.
7.4	Tolerance over the temperature range	$\pm 16 \times 10^{-6}$ max. (at -40 to +85 °C)
7.5	Equivalent Series Resistance (R_r)	50 Ω max.
7.6	Shunt Capacitance (C_0)	1.42 pF $\pm 20\%$
7.7	Maximum Drive Level	100 μ W max.
8	Measurement Circuit	
8.1	Frequency Measurement	
8.1.1	Measuring Instrument	IEC π -Network
8.1.2	Load Capacitance (C_L)	9pF
8.1.3	Level of Drive	10 μ W
8.2	Equivalent Resistance Measurement	
8.2.1	Measuring Instrument	IEC π -Network
8.2.2	Load Capacitance (C_L)	Series
8.2.3	Level of Drive	10 μ W
9	Operating Temperature Range	-40 to +85 °C
10	Storage Temperature Range	-40 to +85 °C

11 Dimension

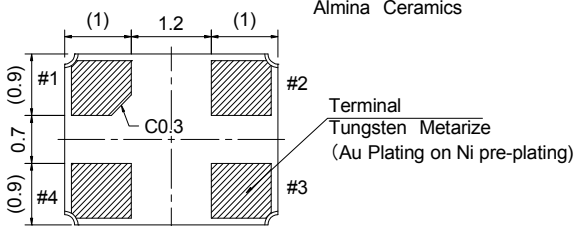
(Unit: mm)



[TOP VIEW]
TERMINAL LAND CONNECTIONS



※ #1,#3 : Xtal
#2,#4 : GND (CONNECTION COVER)



Looking for pricing, stock, or lifecycle information?

Click below to explore more details on WIN SOURCE:

-  [View NX3225SA-32MHZ-EXS00A-CS02368 on WIN SOURCE](#)
-  [NDK Information](#)

Optimize Your Supply Chain with WIN SOURCE Solutions

-  Global Sourcing Solution
-  Obsolete Management
-  Cost Control Management
-  Shortage Management
-  Alternative Solution
-  Excess Inventory Management