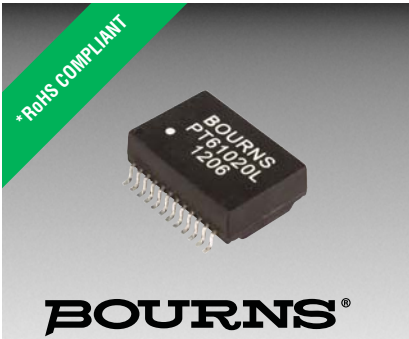




**THE DATASHEET OF  
PT61020EL**





## Features

- Compliant with IEEE802.3ab Draft Standards for 1000 Base-T
- Designed for Long Haul Gigabit Ethernet 10/100/1000 Base-T Full Duplex applications
- Low profile surface mount packaging designed for reflow process (245 ° peak)
- Supports 4 pairs of Category 5 UTP cables

- RoHS compliant\*

## Applications

- LAN
- Ethernet

# PT61020L LAN 10/100/1000 Base-T Transformer Modules

### Electrical Specifications @ 25 °C

Inductance.....	350 $\mu$ H min.
with 8 mA DC bias @ 100 KHz, 0.2 V	
Leakage Inductance.....	0.50 $\mu$ H max.
@ 100 KHz, 0.2 V	
Interwinding Capacitance.....	25 pF typ.
@ 100 KHz, 0.2 V	
DC Resistance.....	0.90 $\Omega$ max.
Insertion Loss.....	0.3-100 MHz
	-1.1 dB max.
Return Loss (dB min.)	
0.3-30 MHz.....	-18
40 MHz.....	-14.4
50 MHz.....	-13.1
60-80 MHz.....	-12
Cross Talk (dB min.)	
0.3-30 MHz.....	-35
60-100 MHz.....	-28
Common Mode Rejection (dB min.)	
0.3-30 MHz.....	-40
60 MHz.....	-35
80-100 MHz.....	-30
Turns Ratio.....	1 CT:1 $\pm$ 5 %
PoE Current	
..... Up to 640 mA for 1000 Base-T	
Isolation Hi-Pot....	1500 VAC 1 mA 1 sec.
Operating Temperature	
.....	-40° C to +85 °C

PT61020EL is extended temperature version of PT61024L.

### Packaging Specifications

Tape & Reel..... 400 pcs./reel

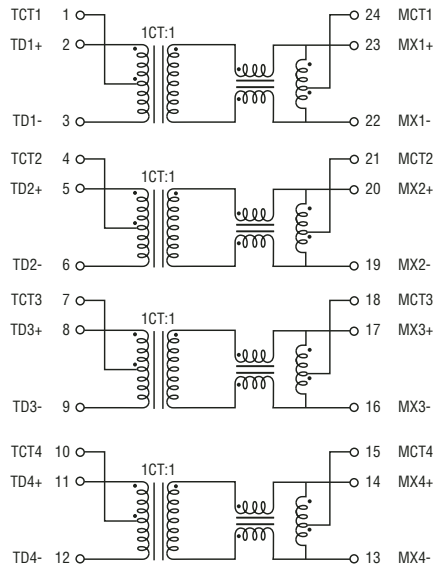
### How To Order

Model PT61020E L

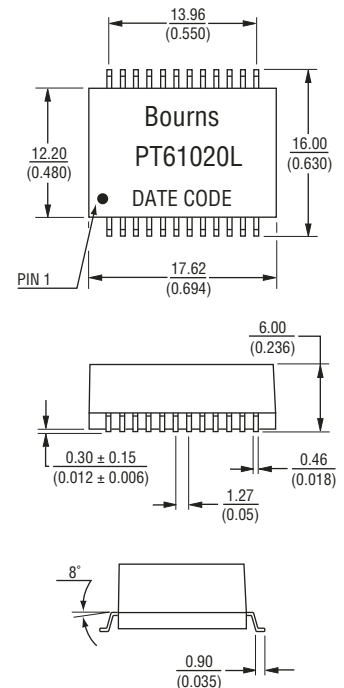
Termination \_\_\_\_\_

L = Tin only (RoHS Compliant)

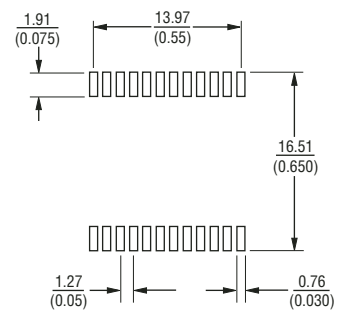
### Electrical Schematic



### Product Dimensions



### Recommended Layout



DIMENSIONS:  $\frac{\text{MM}}{\text{(INCHES)}}$

TOLERANCES:  $\pm \frac{0.25}{(.010)}$

## Looking for pricing, stock, or lifecycle information?

Click below to explore more details on WIN SOURCE:

 [View PT61020EL on WIN SOURCE](#)

 [Bourns Inc. Information](#)

## Optimize Your Supply Chain with WIN SOURCE Solutions

-  Global Sourcing Solution
-  Obsolete Management
-  Cost Control Management
-  Shortage Management
-  Alternative Solution
-  Excess Inventory Management