



**THE DATASHEET OF  
SI8602AC-B-ISR**



# Si860x Data Sheet

## Bidirectional I<sup>2</sup>C Isolators with Unidirectional Digital Channels

The Si860x series of isolators are single-package galvanic isolation solutions for I<sup>2</sup>C and SMBus serial port applications. These products are based on Skyworks proprietary RF isolation technology and offer shorter propagation delays, lower power consumption, smaller installed size, and more stable operation with temperature and age versus opto couplers or other digital isolators.

All devices in this family include hot-swap, bidirectional SDA and/or SCL isolation channels with open-drain, 35 mA sink capability that operate to a maximum frequency of 1.7 MHz. The 8-pin version (Si8600) supports bidirectional SDA and SCL isolation; the Si8602 supports bidirectional SDA and unidirectional SCL isolation, and the 16-pin versions (Si8605, Si8606) feature two unidirectional isolation channels to support additional system signals, such as interrupts or resets. All versions contain protection circuits to guard against data errors when an unpowered device is inserted into a powered system.

Small size, low installed cost, low power consumption, and short propagation delays make the Si860x family the optimum solution for isolating I<sup>2</sup>C and SMBus serial ports.

Automotive Grade is available for certain part numbers. These products are built using automotive-specific flows at all steps in the manufacturing process to ensure the robustness and low defectivity required for automotive applications.

### Industrial Applications

- Isolated I<sup>2</sup>C, SMBus
- Isolated digital power supply communications
- Power over Ethernet
- Motor Control Systems
- Hot-swap applications
- Intelligent Power systems

### Automotive Applications

- On-board chargers
- Battery management systems
- Charging stations
- Traction inverters
- Hybrid Electric Vehicles
- Battery Electric Vehicles

### Safety Regulatory Approvals

- UL 1577 recognized
  - Up to 5000 V<sub>RMS</sub> for 1 minute
- CSA component notice 5A approval
  - IEC 60950-1, 61010-1, 60601-1 (reinforced insulation)
- VDE certification conformity
  - Si863xxT options certified to reinforced VDE 0884-10
  - All other options certified to IEC 60747-5-5 and reinforced 60950-1
- CQC certification approval
  - GB4943.1

### KEY FEATURES

- Independent, bidirectional SDA and SCL isolation channels
  - Open drain outputs with 35 mA sink current
  - Supports I<sup>2</sup>C clocks up to 1.7 MHz
- Unidirectional isolation channels support additional system signals (Si8605, Si8606)
- Up to 5000 VRMS isolation
- UL, CSA, VDE, CQC recognition
- 60-year life at rated working voltage
- High electromagnetic immunity
- Wide operating supply voltage
  - 3.0 to 5.5 V
- Wide temperature range
  - -40 to +125 °C
- Transient immunity 50 kV/μs
- AEC-Q100 qualification
- RoHS-compliant packages
  - SOIC-8 narrow body
  - SOIC-16 wide body
  - SOIC-16 narrow body
- Automotive-grade OPNs available
  - AIAG compliant PPAP documentation support
  - IMDS and CAMDS listing support

## 1. Ordering Guide

### Industrial and Automotive Grade OPNs

Industrial-grade devices (part numbers having an “-I” in their suffix) are built using well-controlled, high-quality manufacturing flows to ensure robustness and reliability. Qualifications are compliant with JEDEC, and defect reduction methodologies are used throughout definition, design, evaluation, qualification, and mass production steps.

Automotive-grade devices (part numbers having an “-A” in their suffix) are built using automotive-specific flows at all steps in the manufacturing process to ensure robustness and low defectivity. These devices are supported with AIAG-compliant Production Part Approval Process (PPAP) documentation, and feature International Material Data System (IMDS) and China Automotive Material Data System (CAMDS) listing. Qualifications are compliant with AEC-Q100, and a zero-defect methodology is maintained throughout definition, design, evaluation, qualification, and mass production steps.

**Table 1.1. Ordering Guide<sup>1, 2, 3, 4</sup>**

Ordering Part Number (OPN)	Automotive OPNs <sup>5, 6</sup>	Number of Bidirectional I <sup>2</sup> C Channels	Max I <sup>2</sup> C Bus Speed (MHz)	Number of Unidirectional Non-I <sup>2</sup> C Channels	Max DataRate of Non-I <sup>2</sup> C Unidirectional Channels (Mbps)	Isolation Ratings (kVrms)	Package
Si8600AB-B-IS	Si8600AB-AS	2	1.7	0	—	2.5	NB SOIC-8
Si8600AC-B-IS	Si8600AC-AS	2	1.7	0	—	3.75	NB SOIC-8
Si8600AD-B-IS	Si8600AD-AS	2	1.7	0	—	5.0	WB SOIC-16
Si8602AB-B-IS	Si8602AB-AS	1	1.7	1	10	2.5	NB SOIC-8
Si8602AC-B-IS	Si8602AC-AS	1	1.7	1	10	3.75	NB SOIC-8
Si8602AD-B-IS	Si8602AD-AS	1	1.7	1	10	5.0	WB SOIC-16
Si8605AB-B-IS1	Si8605AB-AS1	2	1.7	1 Forward 1 Reverse	10	2.5	NB SOIC-16
Si8605AC-B-IS1	Si8605AC-AS1	2	1.7	1 Forward 1 Reverse	10	3.75	NB SOIC-16
Si8605AD-B-IS	Si8605AD-AS	2	1.7	1 Forward 1 Reverse	10	5.0	WB SOIC-16
Si8606AC-B-IS1	Si8606AC-AS1	2	1.7	2 Forward	10	3.75	NB SOIC-16
Si8606AD-B-IS	Si8606AD-AS	2	1.7	2 Forward	10	5.0	WB SOIC-16

**Note:**

- All packages are RoHS-compliant with peak reflow temperature of 260 °C according to the JEDEC industry standard classifications and peak solder temperature.
- “Si” and “SI” are used interchangeably.
- Temperature range is –40 to 125 °C.
- An “R” at the end of the part number denotes tape and reel packaging option.
- Automotive-Grade devices (with an “-A” suffix) are identical in construction materials, topside marking, and electrical parameters to their Industrial-Grade (with an “-I” suffix) version counterparts. Automotive-Grade products are produced utilizing full automotive process flows and additional statistical process controls throughout the manufacturing flow. The Automotive-Grade part number is included on shipping labels.
- In the top markings of each device, the Manufacturing Code represented by either “RTTTTT” or “TTTTTT” contains as its first character a letter in the range N through Z to indicate Automotive-Grade.

# Table of Contents

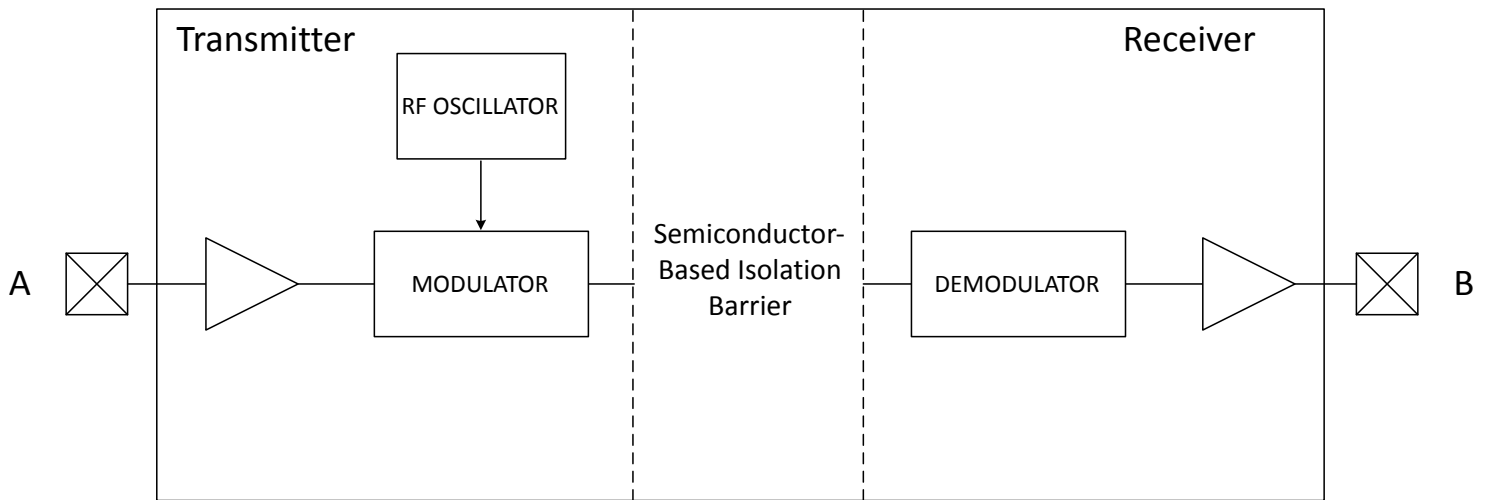
<b>1. Ordering Guide</b>	<b>2</b>
<b>2. System Overview</b>	<b>5</b>
2.1 Theory of Operation	5
<b>3. Typical Application Overview</b>	<b>6</b>
3.1 I <sup>2</sup> C Background	6
3.2 I <sup>2</sup> C Isolator Operation	6
3.3 I <sup>2</sup> C Isolator Design Constraints	7
3.4 I <sup>2</sup> C Isolator Design Considerations	7
3.5 Typical Application Schematics	8
<b>4. Device Operation</b>	<b>10</b>
4.1 Device Startup	10
4.2 Undervoltage Lockout	10
4.3 Input and Output Characteristics for Non-I <sup>2</sup> C Digital Channels	11
4.4 Layout Recommendations	11
4.4.1 Supply Bypass	11
4.4.2 Output Pin Termination	11
4.5 Typical Performance Characteristics	12
<b>5. Electrical Specifications</b>	<b>13</b>
5.1 Test Circuits	18
<b>6. Pin Descriptions</b>	<b>23</b>
6.1 Si8600/02 SOIC-8 Package	23
6.2 Si8600/02 SOIC-16 Package	24
6.3 Si8605/06 SOIC-16 Package	25
<b>7. Package Outline: 16-Pin Wide Body SOIC</b>	<b>26</b>
<b>8. Land Pattern: 16-Pin Wide-Body SOIC</b>	<b>28</b>
<b>9. Package Outline: 8-Pin Narrow Body SOIC</b>	<b>29</b>
<b>10. Land Pattern: 8-Pin Narrow Body SOIC</b>	<b>30</b>
<b>11. Package Outline: 16-Pin Narrow Body SOIC</b>	<b>31</b>
<b>12. Land Pattern: 16-Pin Narrow Body SOIC</b>	<b>33</b>
<b>13. Si860x Top Markings</b>	<b>34</b>
13.1 Top Marking: 16-Pin Wide Body SOIC	34
13.2 Top Marking: 8-Pin Narrow Body SOIC	35
13.3 Top Marking: 16-Pin Narrow Body SOIC	36

**14. Revision History. . . . . 37**

## 2. System Overview

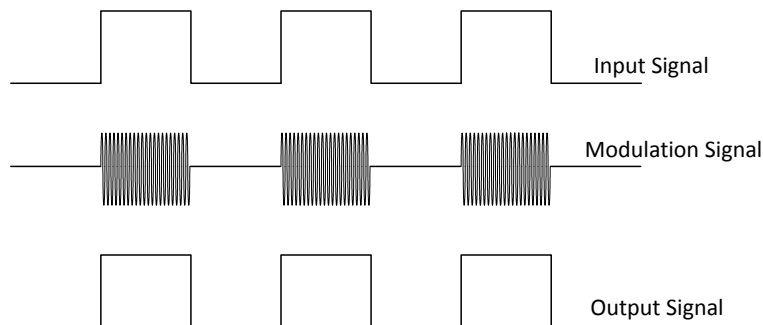
### 2.1 Theory of Operation

The operation of an Si86xx channel is analogous to that of an opto coupler, except an RF carrier is modulated instead of light. This simple architecture provides a robust isolated data path and requires no special considerations or initialization at start-up. A simplified block diagram for a single unidirectional Si86xx channel is shown in the figure below.



**Figure 2.1. Simplified Channel Diagram**

A channel consists of an RF Transmitter and RF Receiver separated by a semiconductor-based isolation barrier. Referring to the Transmitter, input A modulates the carrier provided by an RF oscillator using on/off keying. The Receiver contains a demodulator that decodes the input state according to its RF energy content and applies the result to output B via the output driver. This RF on/off keying scheme is superior to pulse code schemes as it provides best-in-class noise immunity, low power consumption, and better immunity to magnetic fields. See the following figure for more details.



**Figure 2.2. Modulation Scheme**

### 3. Typical Application Overview

#### 3.1 I<sup>2</sup>C Background

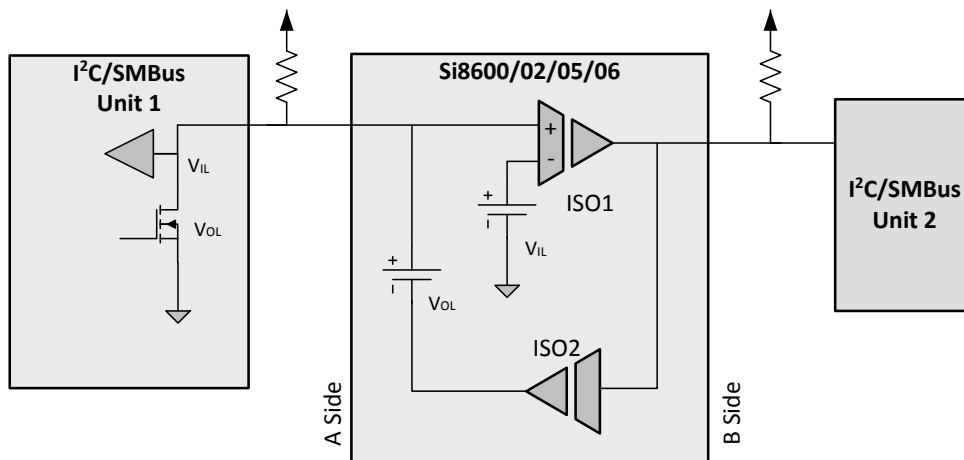
In many applications, I<sup>2</sup>C, SMBus, and other digital power supply communications, including those for bus power management, the interfaces require galvanic isolation for safety or ground loop elimination. For example, Power over Ethernet (PoE) applications typically use an I<sup>2</sup>C interface for communication between the PoE power sourcing device (PSE), and the earth ground referenced system controller. Galvanic isolation is required both by standard and also as a practical matter to prevent ground loops in Ethernet connected equipment.

The physical interface consists of two wires: serial data (SDA) and serial clock (SCL). These wires are connected to open collector drivers that serve as both inputs and outputs. At first glance, it appears that SDA and SCL can be isolated simply by placing two unidirectional isolators in parallel, and in opposite directions. However, this technique creates feedback that latches the bus line low when a logic low asserted by either master or slave. This problem can be remedied by adding anti-latch circuits, but results in a larger and more expensive solution. The Si860x products offer a single-chip, anti-latch solution to the problem of isolating I<sup>2</sup>C/SMBus applications and require no external components except the I<sup>2</sup>C/SMBus pull-up resistors. In addition, they provide isolation to a maximum of 5.0 kV<sub>RMS</sub>, support I<sup>2</sup>C clock stretching, and operate to a maximum I<sup>2</sup>C bus speed of 1.7 Mbps.

#### 3.2 I<sup>2</sup>C Isolator Operation

Without anti-latch protection, bidirectional I<sup>2</sup>C isolators latch when an isolator output logic low propagates back through an adjacent isolator channel creating a stable latched low condition on both sides. Anti-latch protection is typically added to one side of the isolator to avoid this condition (the “A” side for the Si8600/02/05/06).

The following examples illustrate typical circuit configurations using the Si8600/02/05/06.



**Figure 3.1. Isolated Bus Overview (I<sup>2</sup>C Channels Only)**

The “A side” output low ( $V_{OL}$ ) and input low ( $V_{IL}$ ) levels are designed such that the isolator  $V_{OL}$  is greater than the isolator  $V_{IL}$  to prevent the latch condition.

### 3.3 I<sup>2</sup>C Isolator Design Constraints

The table below lists the I<sup>2</sup>C isolator design constraints.

**Table 3.1. Design Constraints**

Design Constraint	Data Sheet Values	Effect of Bus Pull-up Strength and Temperature
To prevent the latch condition, the isolator output low level must be greater than the isolator input low level.	Isolator $V_{OL}$ 0.7 V typical Isolator $V_{IL}$ 0.5 V typical Input/Output Logic Low Level Difference $\Delta V_{SDA1}, \Delta V_{SCL1} = 50$ mV minimum	This is normally guaranteed by the isolator data sheet. However, if the pull up strength is too weak, the output low voltage will fall and can get too close to the input low logic level. These track over temperature.
The bus output low must be less than the isolator input low logic level.	Bus $V_{OL} = 0.4$ V maximum Isolator $V_{IL} = 0.41$ V minimum	If the pull up strength is too large, the devices on the bus might not pull the voltage below the input low range. These have opposite temperature coefficients. Worst case is hot temperature.
The isolator output low must be less than the bus input low.	Bus $V_{IL} 0.3 \times V_{DD} = 1.0$ V minimum for $V_{DD} = 3.3$ V Isolator $V_{OL} = 0.8$ V maximum	If the pull up strength is too large, the isolator might not pull below the bus input low voltage. Si8600/02/05/06 Vol: $-1.8$ mV/C CMOS buffer: $-0.6$ mV/C This provides some temperature tracking, but worst case is cold temperature.

### 3.4 I<sup>2</sup>C Isolator Design Considerations

The first step in applying an I<sup>2</sup>C isolator is to choose which side of the bus will be connected to the isolator A side. Ideally, it should be the side which:

Is compatible with the range of bus pull up specified by the manufacturer. For example, the Si8600/02/05/06 isolators are normally used with a pull up of 0.5 mA to 3 mA.

Has the highest input low level for devices on the bus. Some devices may specify an input low of 0.9 V and other devices might require an input low of  $0.3 \times V_{DD}$ . Assuming a 3.3 V minimum power supply, the side with an input low of  $0.3 \times V_{DD}$  is the better side because this side has an input low level of 1.0 V.

Have devices on the bus that can pull down below the isolator input low level. For example, the Si860x input level is 0.41 V. As most CMOS devices can pull to within 0.4 V of GND this is generally not an issue.

Has the lowest noise. Due to the special logic levels, noise margins can be as low as 50 mV.

### 3.5 Typical Application Schematics

The figures below illustrate typical circuit configurations using the Si8600, Si8602, Si8605, and Si8606.

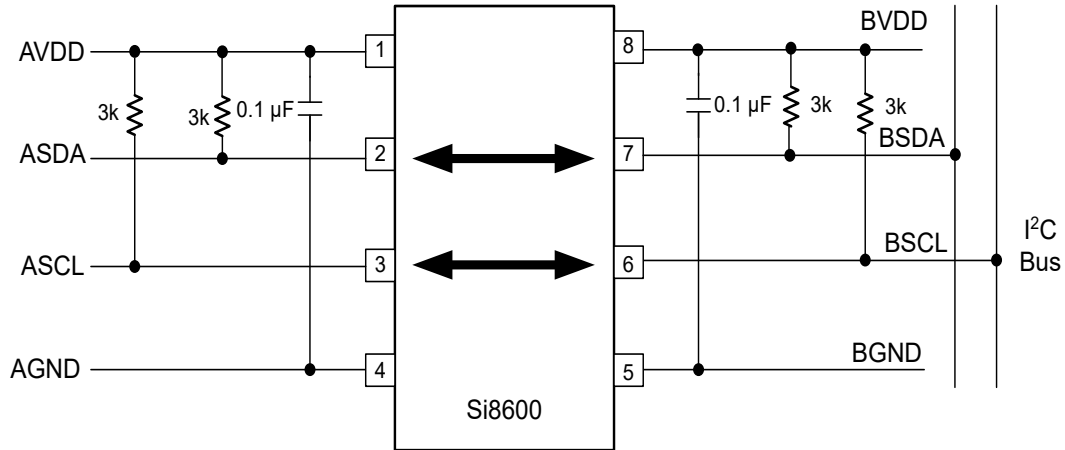


Figure 3.2. Typical Si8600 Application Diagram

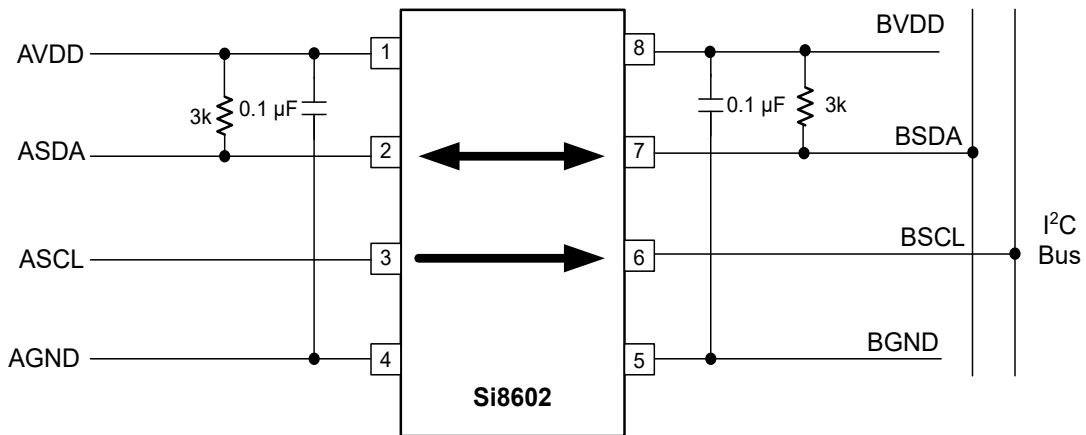


Figure 3.3. Typical Si8602 Application Diagram

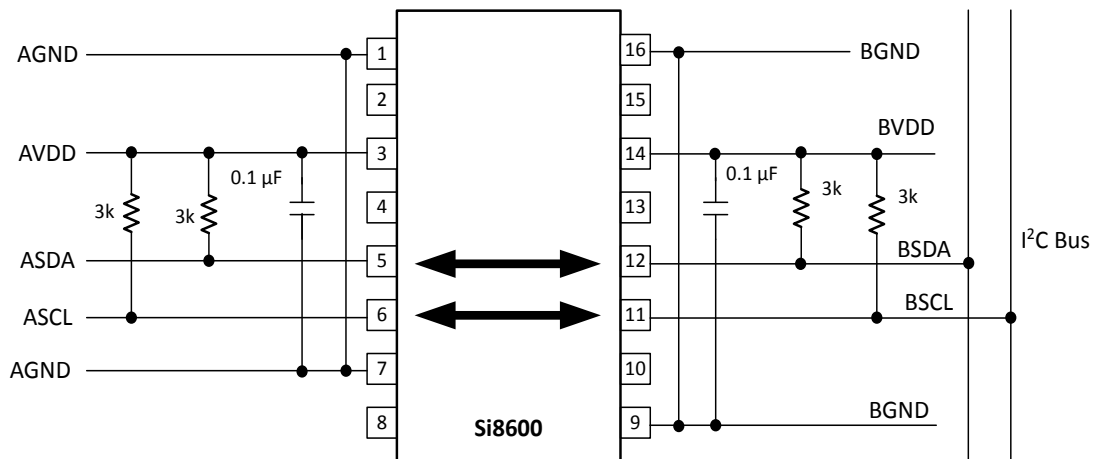


Figure 3.4. Typical Si8600 Application Diagram

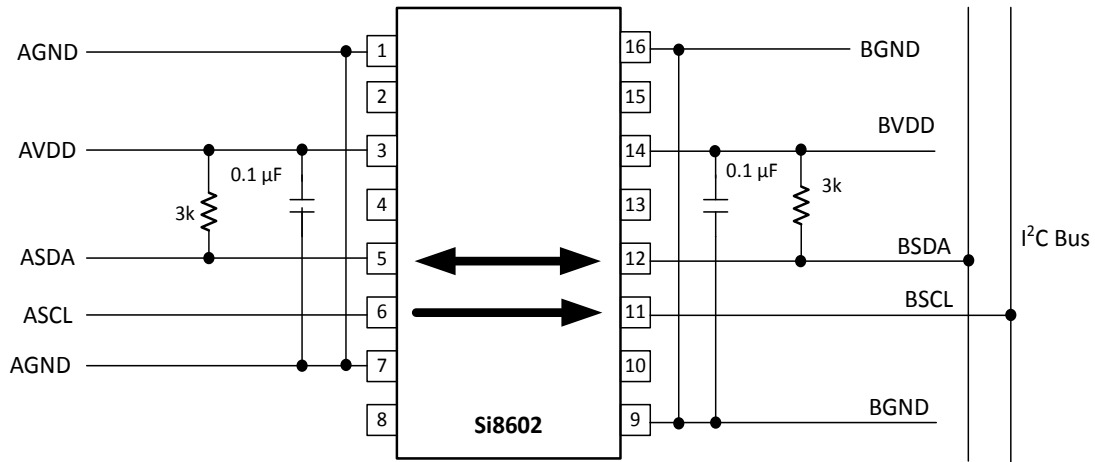


Figure 3.5. Typical Si8602 Application Diagram

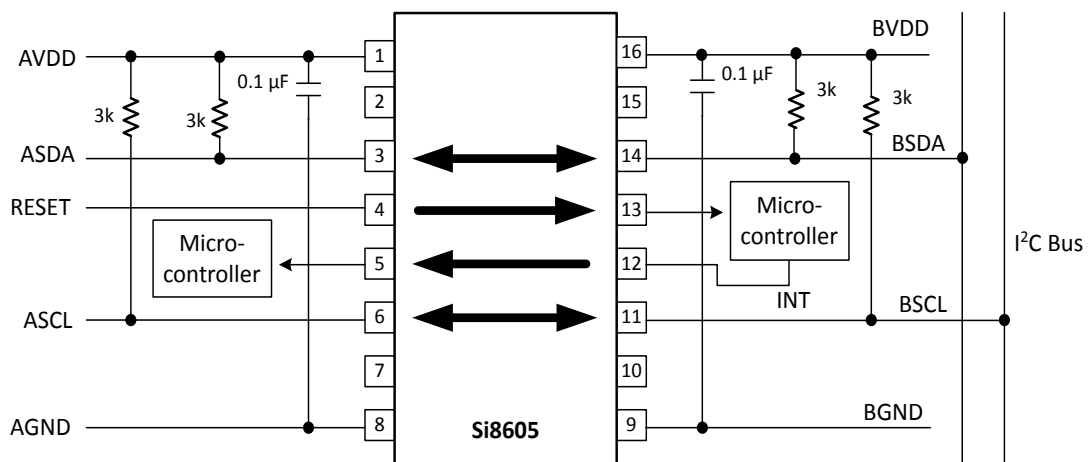


Figure 3.6. Typical Si8605 Application Diagram

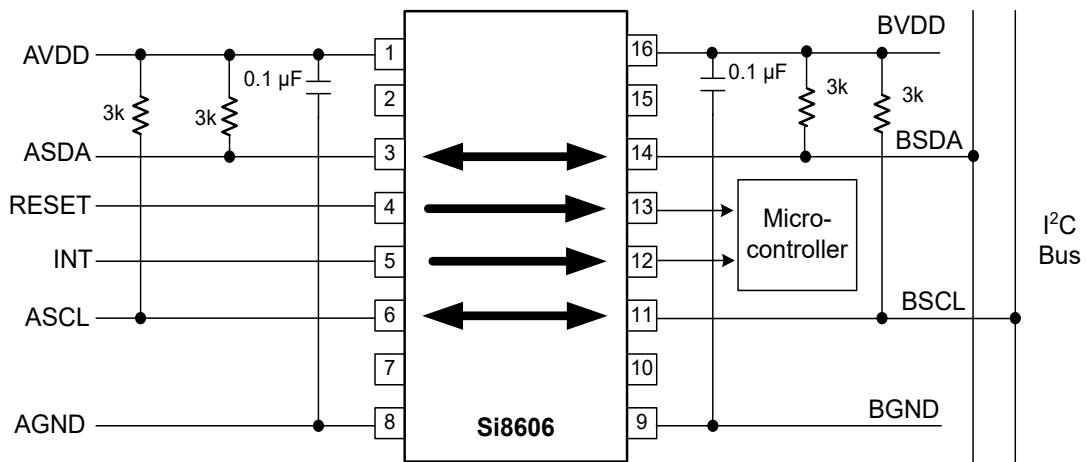


Figure 3.7. Typical Si8606 Application Diagram

## 4. Device Operation

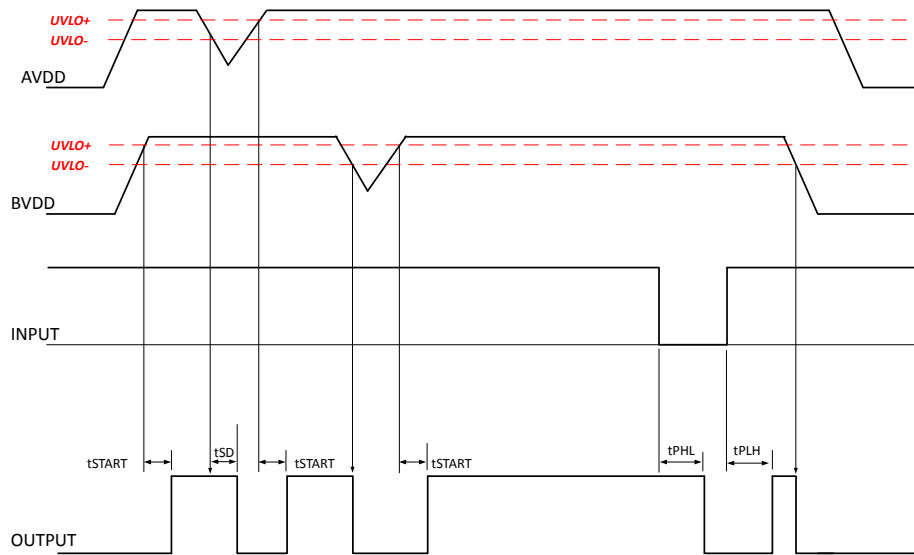
Device behavior during start-up, normal operation, and shutdown is shown in [Figure 4.1 Device Behavior during Normal Operation on page 10](#), where UVLO+ and UVLO- are the positive-going and negative-going thresholds respectively. Refer to [Table 4.1 Si86xx Operation Table on page 11](#) to determine outputs when power supply (VDD) is not present.

### 4.1 Device Startup

Outputs are held low during powerup until VDD is above the UVLO threshold for time period tSTART. Following this, the outputs follow the states of inputs.

### 4.2 Undervoltage Lockout

Undervoltage Lockout (UVLO) is provided to prevent erroneous operation during device startup and shutdown or when VDD is below its specified operating circuits range. Both Side A and Side B each have their own undervoltage lockout monitors. Each side can enter or exit UVLO independently. For example, Side A unconditionally enters UVLO when AVDD falls below AVDD<sub>UVLO-</sub> and exits UVLO when AVDD rises above AVDD<sub>UVLO+</sub>. Side B operates the same as Side A with respect to its BVDD supply.



**Figure 4.1. Device Behavior during Normal Operation**

### 4.3 Input and Output Characteristics for Non-I<sup>2</sup>C Digital Channels

The unidirectional Si86xx inputs and outputs are standard CMOS drivers/receivers. The nominal output impedance of an isolator driver channel is approximately 50  $\Omega$ ,  $\pm 40\%$ , which is a combination of the value of the on-chip series termination resistor and channel resistance of the output driver FET. When driving loads where transmission line effects will be a factor, output pins should be appropriately terminated with controlled impedance PCB traces. [Table 4.1 Si86xx Operation Table on page 11](#) details powered and unpowered operation of the Si86xx's non-I<sup>2</sup>C digital channels.

**Table 4.1. Si86xx Operation Table**

V <sub>I</sub> Input <sup>1, 4</sup>	VDDI State <sup>1,2,3</sup>	VDDO State <sup>1,2,3</sup>	V <sub>O</sub> Output <sup>1, 4</sup>	Comments
H	P	P	H	Normal operation.
L	P	P	L	
X	UP	P	L	Upon transition of VDDI from unpowered to powered, V <sub>O</sub> returns to the same state as V <sub>I</sub> in less than 1 $\mu$ s.
X	P	UP	Undetermined	Upon transition of VDDO from unpowered to powered, V <sub>O</sub> returns to the same state as V <sub>I</sub> within 1 $\mu$ s.

**Note:**

1. VDDI and VDDO are the input and output power supplies. V<sub>I</sub> and V<sub>O</sub> are the respective input and output terminals.
2. Powered (P) state is defined as 3.0 V < VDD < 5.5 V.
3. Unpowered (UP) state is defined as VDD = 0 V.
4. X = not applicable; H = Logic High; L = Logic Low.
5. Note that an I/O can power the die for a given side through an internal diode if its source has adequate current.
6. For I<sup>2</sup>C channels, the outputs for a given side go to Hi-Z when power is lost on the opposite side.

### 4.4 Layout Recommendations

To ensure safety in the end user application, high voltage circuits (i.e., circuits with >30 V<sub>AC</sub>) must be physically separated from the safety extra-low voltage circuits (SELV is a circuit with <30 V<sub>AC</sub>) by a certain distance (creepage/clearance). If a component, such as a digital isolator, straddles this isolation barrier, it must meet those creepage/clearance requirements and also provide a sufficiently large high-voltage breakdown protection rating (commonly referred to as working voltage protection). [Table 5.6 Regulatory Information<sup>1</sup> on page 18](#) and [Table 5.7 Insulation and Safety-Related Specifications on page 19](#) detail the working voltage and creepage/clearance capabilities of the Si86xx. These tables also detail the component standards (UL1577, IEC60747, CSA 5A), which are readily accepted by certification bodies to provide proof for end-system specifications requirements. Refer to the end-system specification (61010-1, 60950-1, 60601-1, etc.) requirements before starting any design that uses a digital isolator.

#### 4.4.1 Supply Bypass

The Si860x family requires a 0.1  $\mu$ F bypass capacitor between AVDD and AGND and BVDD and BGND. The capacitor should be placed as close as possible to the package. To enhance the robustness of a design, the user may also include resistors (50–300  $\Omega$ ) in series with the inputs and outputs if the system is excessively noisy.

#### 4.4.2 Output Pin Termination

The nominal output impedance of a non-I<sup>2</sup>C isolator channel is approximately 50  $\Omega$ ,  $\pm 40\%$ , which is a combination of the value of the on-chip series termination resistor and channel resistance of the output driver FET. When driving loads where transmission line effects will be a factor, output pins should be appropriately terminated with controlled impedance PCB traces.

### 4.5 Typical Performance Characteristics

The typical performance characteristics depicted in the following diagrams are for information purposes only. Refer to Tables Table 5.2 Si860x Power Characteristics<sup>1</sup> on page 13, Table 5.3 Si8600/02/05/06 Electrical Characteristics for Bidirectional I<sup>2</sup>C Channels<sup>1</sup> on page 14, Table 5.4 Electrical Characteristics for Unidirectional Non-I<sup>2</sup>C Digital Channels (Si8602/05/06) on page 16, and Table 5.5 Electrical Characteristics for All I<sup>2</sup>C and Non-I<sup>2</sup>C Channels on page 17 for actual specification limits.

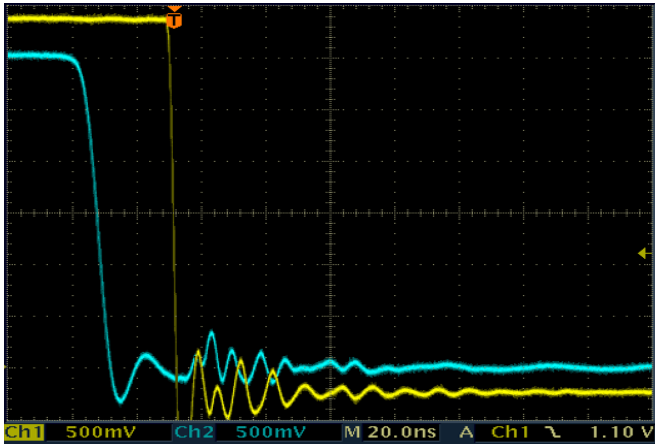


Figure 4.2. I<sup>2</sup>C Side A Pulling Down (1100 Ω Pull-Up)

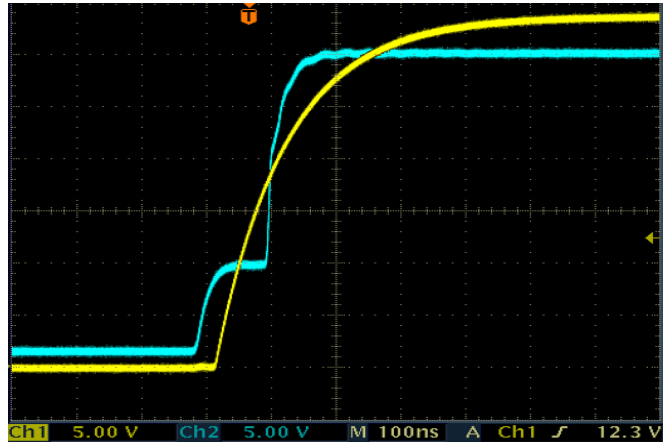


Figure 4.3. I<sup>2</sup>C Side A Pulling Up, Side B Following

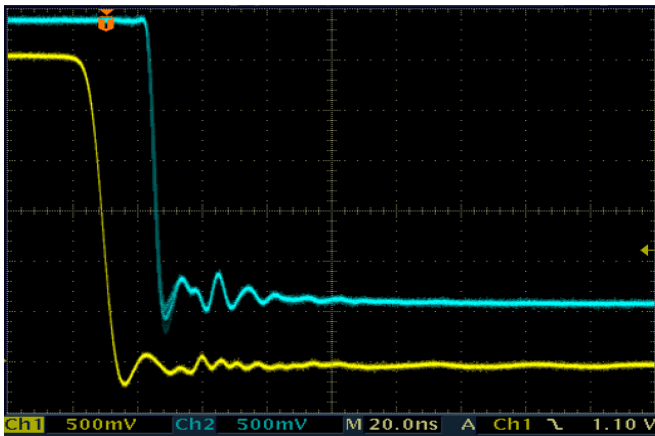


Figure 4.4. I<sup>2</sup>C Side B Pulling Down

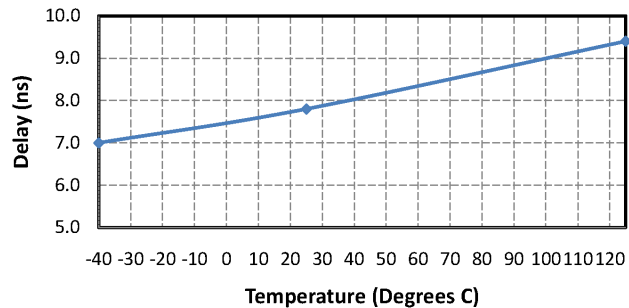


Figure 4.5. Non I<sup>2</sup>C Channel Propagation Delay vs. Temperature

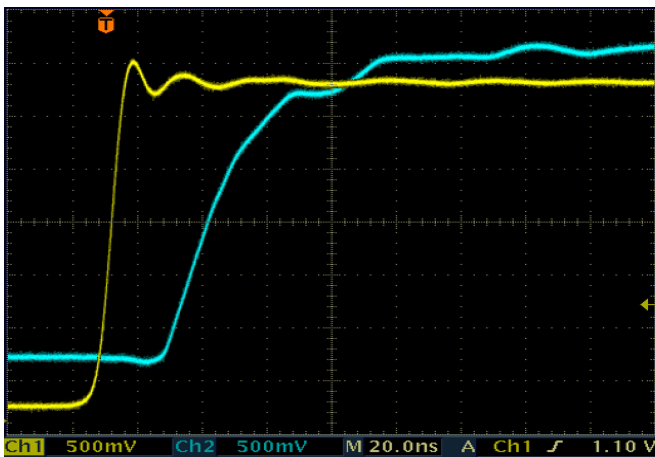


Figure 4.6. I<sup>2</sup>C Side B Pulling Up, Side A Following

## 5. Electrical Specifications

**Table 5.1. Recommended Operating Conditions**

Parameter	Symbol	Min	Typ	Max	Unit
Ambient Operating Temperature <sup>1</sup>	T <sub>A</sub>	-40	25	125*	°C
Supply Voltage	AVDD	3.0	—	5.5	V
	BVDD	3.0	—	5.5	V

**Note:**  
1. The maximum ambient temperature is dependent on data frequency, output loading, number of operating channels, and supply voltage.

**Table 5.2. Si860x Power Characteristics<sup>1</sup>**

3.0 V < VDD < 5.5 V. T<sub>A</sub> = -40 to +125 °C. Typical specs at 25 °C (See [Figure 5.2 Simplified Timing Test Diagram on page 18](#) and [Figure 3.2 Typical Si8600 Application Diagram on page 8](#) for test diagrams.)

Parameter	Symbol	Test Condition	Min	Typ	Max	Unit
<b>Si8600 Supply Current</b>						
AVDD Current	I <sub>dda</sub>	All channels = 0 dc	—	5.4	7.6	mA
BVDD Current	I <sub>ddb</sub>		—	4.3	6.5	mA
AVDD Current	I <sub>dda</sub>	All channels = 1 dc	—	2.6	3.9	mA
BVDD Current	I <sub>ddb</sub>		—	1.9	2.9	mA
AVDD Current	I <sub>dda</sub>	All channels = 1.7 MHz	—	3.3	5.0	mA
BVDD Current	I <sub>ddb</sub>		—	2.6	3.9	mA
<b>Si8602 Supply Current</b>						
AVDD Current	I <sub>dda</sub>	All channels = 0 dc	—	1.8	2.7	mA
BVDD Current	I <sub>ddb</sub>		—	1.8	2.7	mA
AVDD Current	I <sub>dda</sub>	All channels = 1 dc	—	4.7	7.1	mA
BVDD Current	I <sub>ddb</sub>		—	3.1	4.7	mA
AVDD Current	I <sub>dda</sub>	All channels = 1.7 MHz	—	2.5	3.8	mA
BVDD Current	I <sub>ddb</sub>		—	2.1	3.2	mA
<b>Si8605 Supply Current</b>						
AVDD Current	I <sub>dda</sub>	All non-I <sup>2</sup> C channels = 0	—	3.4	5.1	mA
BVDD Current	I <sub>ddb</sub>	All I <sup>2</sup> C channels = 1	—	2.7	4.1	mA
AVDD Current	I <sub>dda</sub>	All non-I <sup>2</sup> C channels = 1	—	7.2	10.1	mA
BVDD Current	I <sub>ddb</sub>	All I <sup>2</sup> C channels = 0	—	6.2	8.7	mA
AVDD Current	I <sub>dda</sub>	All non-I <sup>2</sup> C channels = 5 MHz	—	4.2	6.3	mA
BVDD Current	I <sub>ddb</sub>	All I <sup>2</sup> C channels = 1.7 MHz	—	3.6	5.4	mA

Parameter	Symbol	Test Condition	Min	Typ	Max	Unit
<b>Si8606 Supply Current</b>						
AVDD Current	I <sub>dda</sub>	All non-I <sup>2</sup> C channels = 0	—	2.8	4.2	mA
BVDD Current	I <sub>ddb</sub>	All I <sup>2</sup> C channels = 1	—	3.0	4.5	mA
AVDD Current	I <sub>dda</sub>	All non-I <sup>2</sup> C channels = 1	—	8.3	11.6	mA
BVDD Current	I <sub>ddb</sub>	All I <sup>2</sup> C channels = 0	—	5.5	7.7	mA
AVDD Current	I <sub>dda</sub>	All non-I <sup>2</sup> C channels = 5 MHz	—	4.1	6.2	mA
BVDD Current	I <sub>ddb</sub>	All I <sup>2</sup> C channels = 1.7 MHz	—	3.5	5.3	mA
<b>Note:</b>						
1. All voltages are relative to respective ground.						

**Table 5.3. Si8600/02/05/06 Electrical Characteristics for Bidirectional I<sup>2</sup>C Channels<sup>1</sup>**

3.0 V < VDD < 5.5 V. TA = -40 to +125 °C. Typical specs at 25 °C unless otherwise noted.

Parameter	Symbol	Test Condition	Min	Typ	Max	Unit
Logic Levels Side A						
Logic Input Threshold <sup>2</sup>	I <sup>2</sup> CV <sub>T</sub> (Side A)	ISDAA, ISCLA (>0.5 mA, <3.0 mA)	410	—	540	mV
Logic Low Output Voltages	I <sup>2</sup> CV <sub>OL</sub> (Side A)		540	—	800	mV
Input/Output Logic Low Level Difference <sup>3</sup>	I <sup>2</sup> CΔV (Side A)		50	—	—	mV
Logic Levels Side B						
Logic Low Input Voltage	I <sup>2</sup> CV <sub>IL</sub> (Side B)	ISCLB = 35 mA	—	—	0.8	V
Logic High Input Voltage	I <sup>2</sup> CV <sub>IH</sub> (Side B)		2.0	—	—	V
Logic Low Output Voltage	I <sup>2</sup> CV <sub>OL</sub> (Side B)		—	—	500	mV
SCL and SDA Logic High Leakage	I <sub>sdaa</sub> , I <sub>sdab</sub> I <sub>scla</sub> , I <sub>sclb</sub>	SDAA, SCLA = VSSA SDAB, SCLB = VSSB	—	2.0	10	μA
Pin Capacitance SDAA, SCLA, SDAB, SDBB	CA CB		— —	10 10	— —	pF pF

Parameter	Symbol	Test Condition	Min	Typ	Max	Unit
<b>Timing Specifications (Measured at 1.40 V Unless Otherwise Specified)</b>						
Maximum I <sup>2</sup> C Bus Frequency	Fmax		—	—	1.7	MHz
Propagation Delay						
5 V Operation						
Side A to Side B Rising <sup>4</sup>	Tphab	No bus capacitance,	—	38	45	ns
Side A to Side B Falling <sup>4</sup>	Tplab	R1 = 1400	—	15	26	ns
Side B to Side A Rising	Tphba	R2 = 499	—	33	46	ns
Side B to Side A Falling	Tplba	See <a href="#">Figure 5.2 Simplified Timing Test Diagram on page 18</a>	—	11	22	ns
3.3 V Operation						
Side A to Side B Rising <sup>4</sup>	Tphab		—	44	55	ns
Side A to Side B Falling <sup>4</sup>	Tplab	R1 = 806	—	17	29	ns
Side A to Side B Falling <sup>4</sup>	Tphba	R2 = 499	—	30	40	ns
Side B to Side A Rising	Tplba		—	14	27	ns
Side B to Side A Falling						
Pulse Width Distortion						
5 V		No bus capacitance				
Side A Low to Side B Low <sup>4</sup>	PWDAB	R1 = 1400	—	22	32	ns
Side B Low to Side A Low	PWDBA	R2 = 499	—	21	32	ns
3.3 V						
Side A Low to Side B Low <sup>4</sup>	PWDAB	See <a href="#">Figure 5.2 Simplified Timing Test Diagram on page 18</a>	—	27	35	ns
Side B Low to Side A Low	PWDBA	R1 = 806	—	15	25	ns
Side B Low to Side A Low		R2 = 499				
<b>Note:</b>						
1. All voltages are relative to respective ground.						
2. $V_{IL} < 0.410\text{ V}$ , $V_{IH} > 0.540\text{ V}$ .						
3. $I^2C\Delta V$ (Side A) = $I^2C V_{OL}$ (Side A) – $I^2C V_T$ (Side A). To ensure no latch-up on a given bus, $I^2C\Delta V$ (Side A) is the minimum difference between the output logic low level of the driving device and the input logic threshold.						
4. Side A measured at 0.6 V.						

**Table 5.4. Electrical Characteristics for Unidirectional Non-I<sup>2</sup>C Digital Channels (Si8602/05/06)**

3.0 V &lt; VDD &lt; 5.5 V. TA = -40 to +125 °C. Typical specs at 25 °C

Parameter	Symbol	Test Condition	Min	Typ	Max	Unit
Positive-Going Input Threshold	VT+	All inputs rising	1.4	1.67	1.9	V
Negative-Going Input Threshold	VT-	All inputs falling	1.0	1.23	1.4	V
Input Hysteresis	V <sub>HYS</sub>		0.38	0.44	0.50	V
High Level Input Voltage	V <sub>IH</sub>		2.0	—	—	V
Low Level Input Voltage	V <sub>IL</sub>		—	—	0.8	V
High Level Output Voltage	V <sub>OH</sub>	I <sub>oh</sub> = -4 mA	AVDD, BVDD -0.4	4.8	—	V
Low Level Output Voltage	V <sub>OL</sub>	I <sub>ol</sub> = 4 mA	—	0.2	0.4	V
Input Leakage Current	I <sub>L</sub>		—	—	±10	μA
Output Impedance <sup>1</sup>	Z <sub>O</sub>		—	50	—	Ω
<b>Timing Characteristics</b>						
Maximum Data Rate			0	—	10	Mbps
Minimum Pulse Width			—	—	40	ns
Propagation Delay	t <sub>PHL</sub> , t <sub>PLH</sub>	See <a href="#">Figure 5.1 Propagation Delay Timing (Non-I<sup>2</sup>C Channels)</a> on page 17	—	—	20	ns
Pulse Width Distortion  t <sub>PLH</sub> - t <sub>PHL</sub>	PWD	See <a href="#">Figure 5.1 Propagation Delay Timing (Non-I<sup>2</sup>C Channels)</a> on page 17	—	—	12	ns
Propagation Delay Skew <sup>2</sup>	t <sub>PSK(P-P)</sub>		—	—	20	ns
Channel-Channel Skew	t <sub>PSK</sub>		—	—	10	ns
Output Rise Time	t <sub>r</sub>	C <sub>3</sub> = 15 pF See <a href="#">Figure 5.1 Propagation Delay Timing (Non-I<sup>2</sup>C Channels)</a> on page 17 and <a href="#">Figure 5.2 Simplified Timing Test Diagram</a> on page 18	—	2.5	4.0	ns
Output Fall Time	t <sub>f</sub>	C <sub>3</sub> = 15 pF See <a href="#">Figure 5.1 Propagation Delay Timing (Non-I<sup>2</sup>C Channels)</a> on page 17 and <a href="#">Figure 5.2 Simplified Timing Test Diagram</a> on page 18	—	2.5	4.0	ns
Peak Eye Diagram Jitter	t <sub>JIT(PK)</sub>		—	350	—	ps
<b>Note:</b>						
<ol style="list-style-type: none"> <li>The nominal output impedance of a non-I<sup>2</sup>C isolator driver channel is approximately 50 Ω, ±40%, which is a combination of the value of the on-chip series termination resistor and channel resistance of the output driver FET. When driving loads where transmission line effects will be a factor, output pins should be appropriately terminated with controlled impedance PCB traces.</li> <li>t<sub>PSK(P-P)</sub> is the magnitude of the difference in propagation delay times measured between different units operating at the same supply voltages, load, and ambient temperature.</li> </ol>						

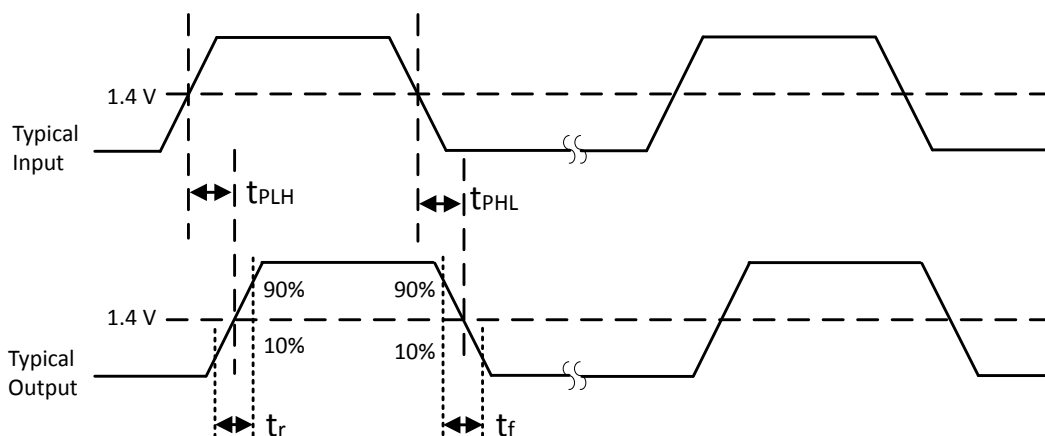
**Table 5.5. Electrical Characteristics for All I<sup>2</sup>C and Non-I<sup>2</sup>C Channels**

3.0 V < VDD < 5.5 V. TA = -40 to +125 °C. Typical specs at 25 °C

Parameter	Symbol	Test Condition	Min	Typ	Max	Unit
VDD Undervoltage Threshold	VDDUV+	V <sub>DD1</sub> , V <sub>DD2</sub> rising	1.95	2.24	2.375	V
VDD Undervoltage Threshold	VDDUV-	V <sub>DD1</sub> , V <sub>DD2</sub> falling	1.88	2.16	2.325	V
VDD Undervoltage Hysteresis	VDD <sub>HYS</sub>		50	70	95	mV
Common Mode Transient Immunity	CMTI	V <sub>I</sub> = V <sub>DD</sub> or 0 V V <sub>CM</sub> = 1500 V (see <a href="#">Figure 5.3 Common Mode Transient Immunity Test Circuit on page 18</a> )	35	50	—	kV/μs
Shut Down Time from UVLO	t <sub>SD</sub>		—	3.0	—	μs
Start-up Time <sup>1</sup>	t <sub>START</sub>		—	15	40	μs

**Note:**

1. Start-up time is the time period from the application of power to valid data at the output.



**Figure 5.1. Propagation Delay Timing (Non-I<sup>2</sup>C Channels)**

5.1 Test Circuits

Figure 5.2 Simplified Timing Test Diagram on page 18 depicts the timing test diagram; Figure 5.3 Common Mode Transient Immunity Test Circuit on page 18 depicts the CMTI test diagram.

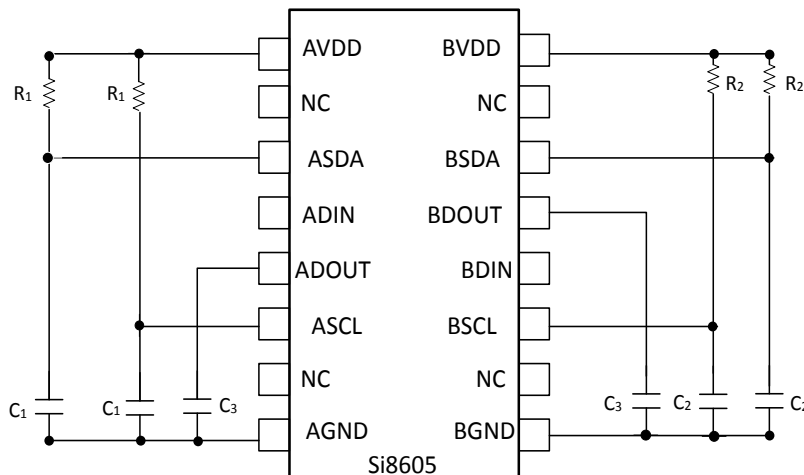


Figure 5.2. Simplified Timing Test Diagram

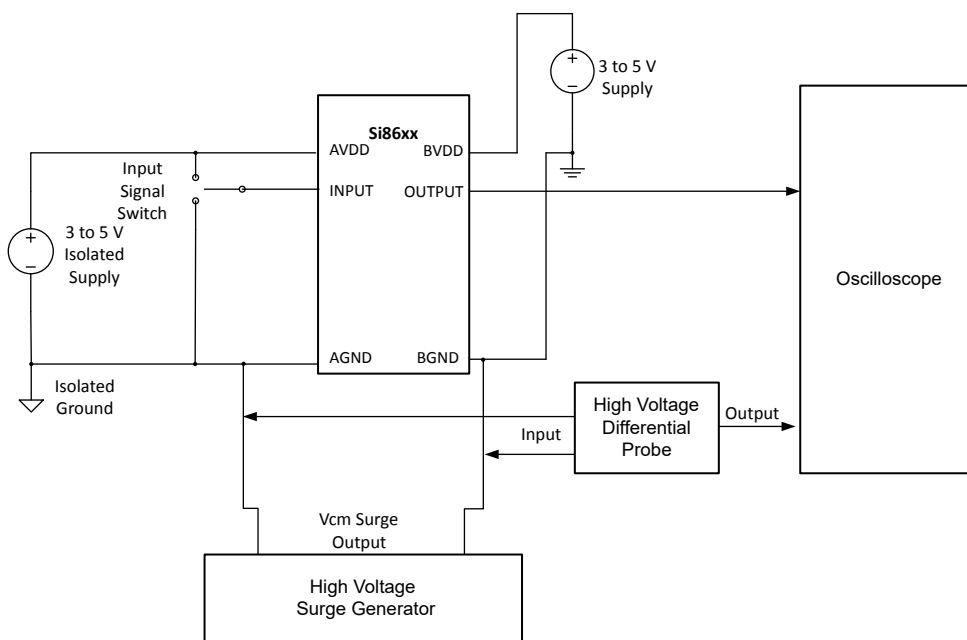


Figure 5.3. Common Mode Transient Immunity Test Circuit

Table 5.6. Regulatory Information<sup>1</sup>

<b>CSA</b>
The Si860x is certified under CSA Component Acceptance Notice 5A. For more details, see File 232873.
61010-1: Up to 600 V <sub>RMS</sub> reinforced insulation working voltage; up to 600 V <sub>RMS</sub> basic insulation working voltage.
60950-1: Up to 600 V <sub>RMS</sub> reinforced insulation working voltage; up to 1000 V <sub>RMS</sub> basic insulation working voltage.
60601-1: Up to 125 V <sub>RMS</sub> reinforced insulation working voltage; up to 380 V <sub>RMS</sub> basic insulation working voltage.
<b>VDE</b>
The Si860x is certified according to IEC 60747-5-2. For more details, see File 5006301-4880-0001.

60747-5-2: Up to 1200 V <sub>peak</sub> for basic insulation working voltage.
60950-1: Up to 600 V <sub>RMS</sub> reinforced insulation working voltage; up to 1000 V <sub>RMS</sub> basic insulation working voltage.
<b>UL</b>
The Si860x is certified under UL1577 component recognition program. For more details, see File E257455.
Rated up to 5000 V <sub>RMS</sub> isolation voltage for basic protection.
<b>CQC</b>
The Si860x is certified under GB4943.1-2011. For more details, see certificates CQC13001096110 and CQC13001096239.
Rated up to 600 V <sub>RMS</sub> reinforced insulation working voltage; up to 1000 V <sub>RMS</sub> basic insulation working voltage.
<b>Note:</b>
<ol style="list-style-type: none"> <li>Regulatory Certifications apply to 2.5 kV<sub>RMS</sub> rated devices which are production tested to 3.0 kV<sub>RMS</sub> for 1 sec. Regulatory Certifications apply to 3.75 kV<sub>RMS</sub> rated devices which are production tested to 4.5 kV<sub>RMS</sub> for 1 sec. Regulatory Certifications apply to 5.0 kV<sub>RMS</sub> rated devices which are production tested to 6.0 kV<sub>RMS</sub> for 1 sec. For more information, see <a href="#">1. Ordering Guide</a>.</li> </ol>

**Table 5.7. Insulation and Safety-Related Specifications**

Parameter	Symbol	Test Condition	Value			Unit
			NB SOIC-8	NB SOIC-16	WB SOIC-16	
Nominal Air Gap (Clearance)	L(1O1)		4.9	4.9	8.0	mm
Nominal External Tracking (Creepage) <sup>1</sup>	L(1O2)		4.01	4.01	8.0	mm
Minimum Internal Gap (Internal Clearance)			0.014	0.014	0.014	mm
Tracking Resistance (Proof Tracking Index)	PTI	IEC60112	600	600	600	V <sub>RMS</sub>
Erosion Depth	ED		0.040	0.019	0.019	mm
Resistance (Input-Output) <sup>2</sup>	R <sub>IO</sub>		10 <sup>12</sup>	10 <sup>12</sup>	10 <sup>12</sup>	Ω
Capacitance (Input-Output) <sup>2</sup>	C <sub>IO</sub>	f = 1 MHz	1.0	2.0	2.0	pF
Input Capacitance <sup>3</sup>	C <sub>I</sub>	Non-I <sup>2</sup> C Channel	4.0	4.0	4.0	pF
		I <sup>2</sup> C Channel	10	10	10	pF

**Note:**

- VDE certifies the clearance and creepage limits as 4.7 mm minimum for the NB SOIC-8 and SOIC-16 packages and 8.5 mm minimum for the WB SOIC-16 package. UL does not impose a clearance and creepage minimum for component level certifications. CSA certifies the clearance and creepage limits as 3.9 mm minimum for the NB SOIC-8 and SOIC-16 packages and 7.6 mm minimum for the WB SOIC-16 package.
- To determine resistance and capacitance, the Si860x, SO-16, is converted into a 2-terminal device. Pins 1–8 (1–4, SO-8) are shorted together to form the first terminal and pins 9–16 (5–8, SO-8) are shorted together to form the second terminal. The parameters are then measured between these two terminals.
- Measured from input pin to ground.

**Table 5.8. IEC 60664-1 (VDE 0844 Part 2) Ratings**

Parameter	Test Conditions	Specification	
		NB SOIC-8 SOIC-16	WB SOIC-16
Basic Isolation Group	Material Group	I	I
Installation Classification	Rated Mains Voltages < 150 V <sub>RMS</sub>	I-IV	I-IV
	Rated Mains Voltages < 300 V <sub>RMS</sub>	I-III	I-IV
	Rated Mains Voltages < 400 V <sub>RMS</sub>	I-II	I-III
	Rated Mains Voltages < 600 V <sub>RMS</sub>	I-II	I-III

**Table 5.9. IEC 60747-5-2 Insulation Characteristics for Si86xxxx<sup>1</sup>**

Parameter	Symbol	Test Condition	Characteristic		Unit
			WB SOIC-16	NB SOIC-8 SOIC-16	
Maximum Working Insulation Voltage	V <sub>IORM</sub>		1200	630	V <sub>peak</sub>
Input to Output Test Voltage	V <sub>PR</sub>	Method b1 (V <sub>IORM</sub> × 1.875 = V <sub>PR</sub> , 100% Production Test, t <sub>m</sub> = 1 sec, Partial Discharge < 5 pC)	2250	1182	V <sub>peak</sub>
Transient Overvoltage	V <sub>IOTM</sub>	t = 60 sec	6000	6000	V <sub>peak</sub>
Pollution Degree (DIN VDE 0110, Table 1)			2	2	
Insulation Resistance at T <sub>S</sub> , V <sub>IO</sub> = 500 V	R <sub>S</sub>		>10 <sup>9</sup>	>10 <sup>9</sup>	Ω

**Note:**

1. Maintenance of the safety data is ensured by protective circuits. The Si86xxxx provides a climate classification of 40/125/21.

**Table 5.10. IEC Safety Limiting Values<sup>1</sup>**

Parameter	Symbol	Test Condition	NB SOIC-8	NB SOIC-16	WB SO- IC-16	Unit
Case Temperature	T <sub>S</sub>		150	150	150	°C
Safety Input Current	I <sub>S</sub>	θ <sub>JA</sub> = 100 °C/W (WB SOIC-16), 105 °C/W (NB SOIC-16), 140 °C/W (NB SOIC-8) AVDD, BVDD = 5.5 V, T <sub>J</sub> = 150 °C, T <sub>A</sub> = 25 °C	160	210	220	mA
Device Power Dissipation <sup>2</sup>	P <sub>D</sub>		220	275	275	mW

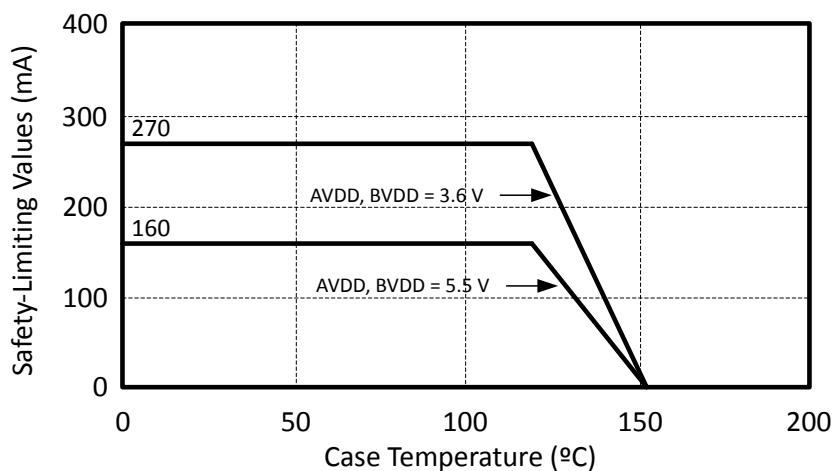
Parameter	Symbol	Test Condition	NB SOIC-8	NB SOIC-16	WB SO-IC-16	Unit
-----------	--------	----------------	-----------	------------	-------------	------

**Note:**

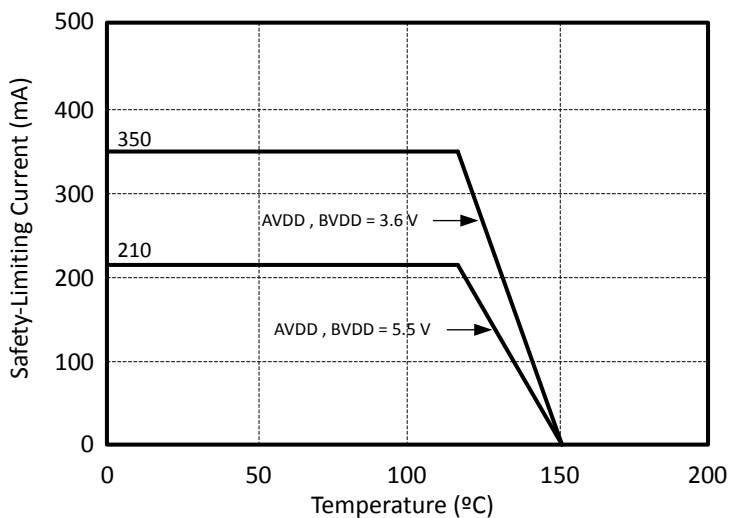
1. Maximum value allowed in the event of a failure. Refer to the thermal derating curve in the three figures below.
2. The Si86xx is tested with  $AV_{DD}, BV_{DD} = 5.5\text{ V}$ ;  $T_J = 150\text{ }^\circ\text{C}$ ;  $C_1, C_2 = 0.1\text{ }\mu\text{F}$ ;  $C_3 = 15\text{ pF}$ ;  $R_1, R_2 = 3\text{ k}\Omega$ ; input 1 MHz 50% duty cycle square wave.

**Table 5.11. Thermal Characteristics**

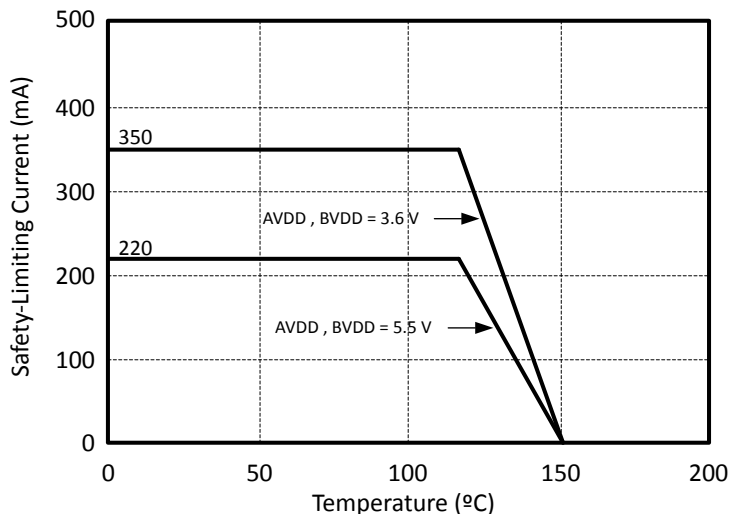
Parameter	Symbol	NB SOIC-8	NB SOIC-16	WB SOIC-16	Unit
IC Junction-to-Air Thermal Resistance	$\theta_{JA}$	140	105	100	$^\circ\text{C/W}$



**Figure 5.4. NB SOIC-8 Thermal Derating Curve, Dependence of Safety Limiting Values with Case Temperature per DIN EN 60747-5-2**



**Figure 5.5. NB SOIC-16 Thermal Derating Curve, Dependence of Safety Limiting Values with Case Temperature per DIN EN 60747-5-2**



**Figure 5.6. WB SOIC-16 Thermal Derating Curve, Dependence of Safety Limiting Values with Case Temperature per DIN EN 60747-5-2**

**Table 5.12. Absolute Maximum Ratings<sup>1</sup>**

Parameter	Symbol	Min	Max	Unit
Storage Temperature <sup>2</sup>	$T_{STG}$	-65	150	°C
Ambient Temperature Under Bias	$T_A$	-40	125	°C
Junction Temperature	$T_J$	—	150	°C
Supply Voltage	$V_{DD}$	-0.5	7.0	V
Input Voltage	$V_I$	-0.5	$V_{DD} + 0.5$	V
Output Voltage	$V_O$	-0.5	$V_{DD} + 0.5$	V
Output Current Drive (non-I <sup>2</sup> C channels)	$I_O$	—	±10	mA
Side A output current drive (I <sup>2</sup> C channels)	$I_O$	—	±15	mA
Side B output current drive (I <sup>2</sup> C channels)	$I_O$	—	±75	mA
Lead Solder Temperature (10 s)		—	260	°C
Maximum Isolation (Input to Output) (1 sec) NB SOIC-8, SOIC-16		—	4500	$V_{RMS}$
Maximum Isolation (Input to Output) (1 sec) WB SOIC-16		—	6500	$V_{RMS}$

**Note:**

1. Permanent device damage may occur if the absolute maximum ratings are exceeded. Functional operation should be restricted to conditions as specified in the operational sections of this data sheet.
2. VDE certifies storage temperature from -40 to 150 °C.

## 6. Pin Descriptions

### 6.1 Si8600/02 SOIC-8 Package



**Table 6.1. Si8600/02 in SOIC-8 Package**

Pin	Name	Description
1	AVDD	Side A power supply terminal; connect to a source of 3.0 to 5.5 V.
2	ASDA	Side A data (open drain) input or output.
3	ASCL	Side A clock input or output. Open drain I/O for Si8600. Standard CMOS input for Si8602.
4	AGND	Side A ground terminal.
5	BGND	Side B ground terminal.
6	BSCL	Side B clock input or output. Open drain I/O for Si8600. Push-pull output for Si8602.
7	BSDA	Side B data (open drain) input or output.
8	BVDD	Side B power supply terminal; connect to a source of 3.0 to 5.5 V.

## 6.2 Si8600/02 SOIC-16 Package

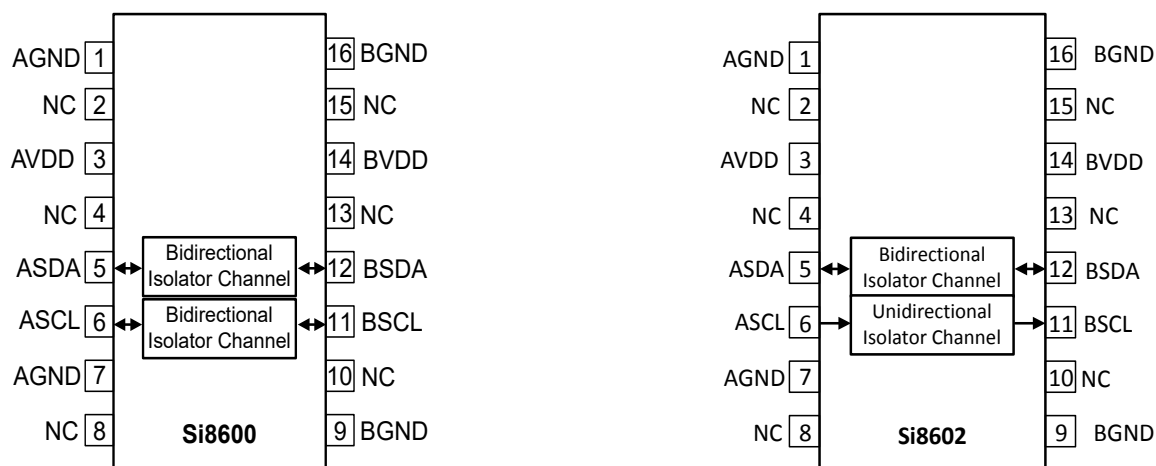


Table 6.2. Si8600/02 in Narrow and Wide-Body SOIC-16 Packages

Pin	Name	Description
1	AGND	Side A Ground Terminal.
2	NC	No connection.
3	AVDD	Side A power supply terminal. Connect to a source of 3.0 to 5.5 V.
4	NC	No connection.
5	ASDA	Side A data open drain input or output.
6	ASCL	Side A data open drain input or output.
7	AGND	Side A Ground Terminal.
8	NC	No connection.
9	BGND	Side B Ground Terminal.
10	NC	No connection.
11	BSCL	Side B data open drain input or output.
12	BSDA	Side B data open drain input or output.
13	NC	No connection.
14	BVDD	Side B power supply terminal. Connect to a source of 3.0 to 5.5 V.
15	NC	No connection.
16	BGND	Side B Ground Terminal.

## 6.3 Si8605/06 SOIC-16 Package



Table 6.3. Si8605/06 in Narrow and Wide-Body SOIC-16 Packages

Pin	Name	Description
1	AVDD	Side A power supply terminal. Connect to a source of 3.0 to 5.5 V.
2	NC	No connection.
3	ASDA	Side A data (open drain) input or output.
4	ADIN/ADIN1	Side A standard CMOS digital input (non I <sup>2</sup> C).
5	ADOUT/ADIN2	Side A digital input/output (non I <sup>2</sup> C) Standard CMOS digital input for Si8606. Push-Pull output for Si8605.
6	ASCL	Side A clock input or output. Open drain I/O for Si8605/06.
7	NC	No connection.
8	AGND	Side A Ground Terminal.
9	BGND	Side B Ground Terminal.
10	NC	No connection.
11	BSCL	Side B clock input or output. Open drain I/O for Si8605/06.
12	BDIN/BDOUT2	Side B digital input/output (non I <sup>2</sup> C) Standard CMOS digital input for Si8605. Push-Pull output for Si8606.
13	BDOUT/BDOUT1	Side B digital push-pull output (non I <sup>2</sup> C).
14	BSDA	Side B data open drain input or output.
15	NC	No connection.
16	BVDD	Side B power supply terminal. Connect to a source of 3.0 to 5.5 V.

### 7. Package Outline: 16-Pin Wide Body SOIC

Figure 7.1 16-Pin Wide Body SOIC on page 26 illustrates the package details for the Si860x Digital Isolator. Table 7.1 Package Diagram Dimensions on page 26 lists the values for the dimensions shown in the illustration.

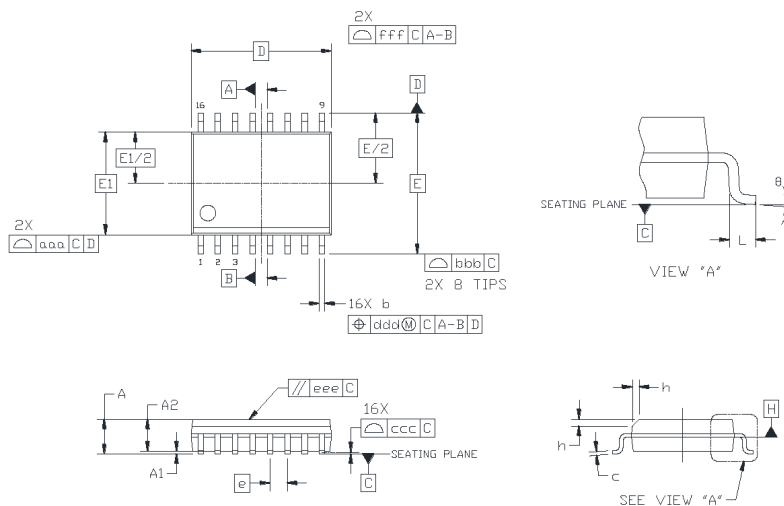


Figure 7.1. 16-Pin Wide Body SOIC

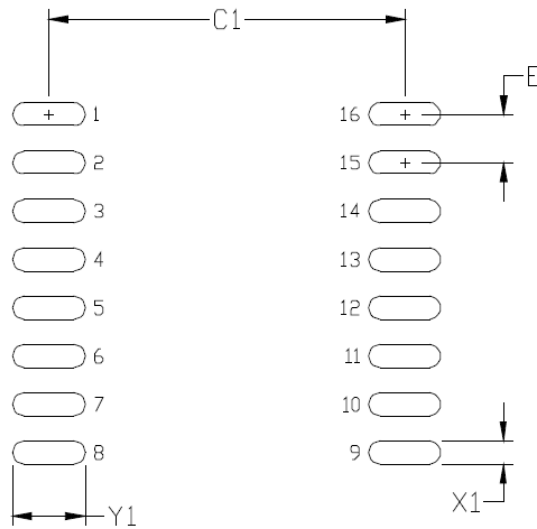
Table 7.1. Package Diagram Dimensions

Dimension	Min	Max
A	—	2.65
A1	0.10	0.30
A2	2.05	—
b	0.31	0.51
c	0.20	0.33
D	10.30 BSC	
E	10.30 BSC	
E1	7.50 BSC	
e	1.27 BSC	
L	0.40	1.27
h	0.25	0.75
θ	0°	8°
aaa	—	0.10
bbb	—	0.33
ccc	—	0.10
ddd	—	0.25
eee	—	0.10
fff	—	0.20

Dimension	Min	Max
<p><b>Note:</b></p> <ol style="list-style-type: none"><li>1. All dimensions shown are in millimeters (mm) unless otherwise noted.</li><li>2. Dimensioning and Tolerancing per ANSI Y14.5M-1994.</li><li>3. This drawing conforms to JEDEC Outline MS-013, Variation AA.</li><li>4. Recommended reflow profile per JEDEC J-STD-020 specification for small body, lead-free components.</li></ol>		

## 8. Land Pattern: 16-Pin Wide-Body SOIC

Figure 8.1 16-Pin SOIC Land Pattern on page 28 illustrates the recommended land pattern details for the Si860x in a 16-pin wide-body SOIC. Table 8.1 16-Pin Wide Body SOIC Land Pattern Dimensions on page 28 lists the values for the dimensions shown in the illustration.



**Figure 8.1. 16-Pin SOIC Land Pattern**

**Table 8.1. 16-Pin Wide Body SOIC Land Pattern Dimensions**

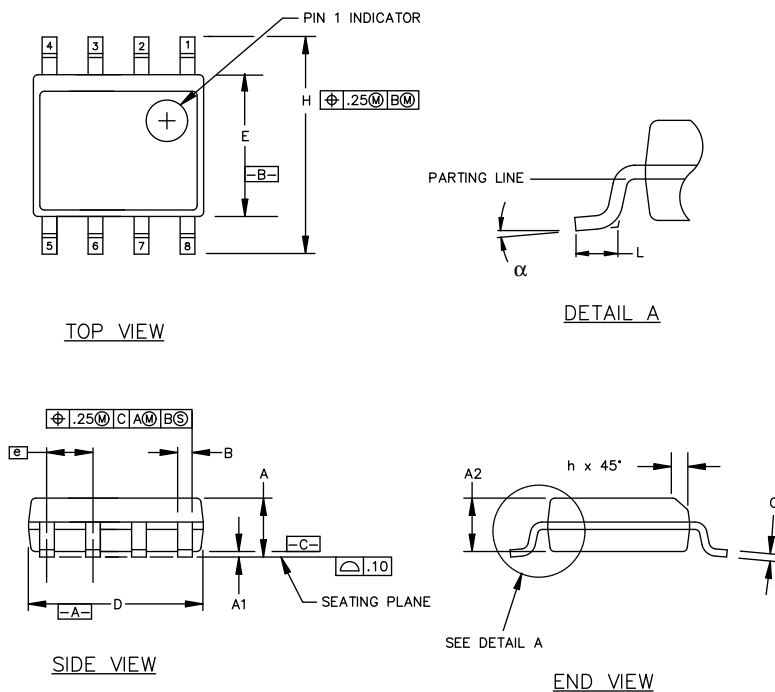
Dimension	Feature	(mm)
C1	Pad Column Spacing	9.40
E	Pad Row Pitch	1.27
X1	Pad Width	0.60
Y1	Pad Length	1.90

**Note:**

1. This Land Pattern Design is based on IPC-7351 pattern SOIC127P1032X265-16AN for Density Level B (Median Land Protrusion).
2. All feature sizes shown are at Maximum Material Condition (MMC) and a card fabrication tolerance of 0.05 mm is assumed.

## 9. Package Outline: 8-Pin Narrow Body SOIC

Figure 9.1 8-pin Small Outline Integrated Circuit (SOIC) Package on page 29 illustrates the package details for the Si860x in an 8-pin SOIC (SO-8). Table 9.1 Package Diagram Dimensions on page 29 lists the values for the dimensions shown in the illustration.



**Figure 9.1. 8-pin Small Outline Integrated Circuit (SOIC) Package**

**Table 9.1. Package Diagram Dimensions**

Symbol	Millimeters	
	Min	Max
A	1.35	1.75
A1	0.10	0.25
A2	1.40 REF	1.55 REF
B	0.33	0.51
C	0.19	0.25
D	4.80	5.00
E	3.80	4.00
e	1.27 BSC	
H	5.80	6.20
h	0.25	0.50
L	0.40	1.27
$\alpha$	0°	8°

## 10. Land Pattern: 8-Pin Narrow Body SOIC

Figure 10.1 PCB Land Pattern: 8-Pin Narrow Body SOIC on page 30 illustrates the recommended land pattern details for the Si860x in an 8-pin narrow-body SOIC. Table 10.1 PCM Land Pattern Dimensions (8-Pin Narrow Body SOIC) on page 30 lists the values for the dimensions shown in the illustration.

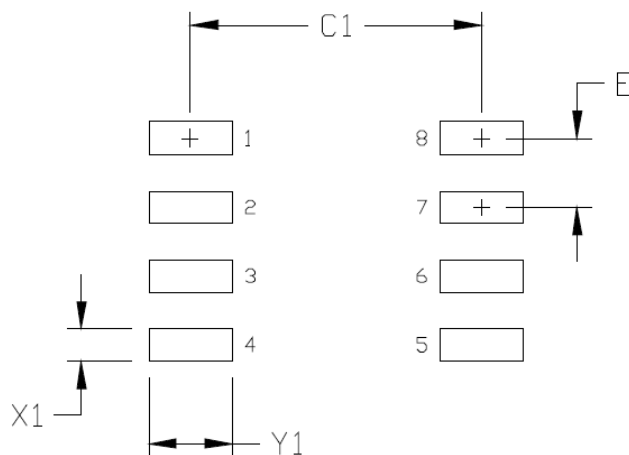


Figure 10.1. PCB Land Pattern: 8-Pin Narrow Body SOIC

Table 10.1. PCM Land Pattern Dimensions (8-Pin Narrow Body SOIC)

Dimension	Feature	(mm)
C1	Pad Column Spacing	5.40
E	Pad Row Pitch	1.27
X1	Pad Width	0.60
Y1	Pad Length	1.55

**Note:**

1. This Land Pattern Design is based on IPC-7351 pattern SOIC127P600X173-8N for Density Level B (Median Land Protrusion).
2. All feature sizes shown are at Maximum Material Condition (MMC) and a card fabrication tolerance of 0.05 mm is assumed.

## 11. Package Outline: 16-Pin Narrow Body SOIC

Figure 11.1 16-pin Small Outline Integrated Circuit (SOIC) Package on page 31 illustrates the package details for the Si860x in a 16-pin narrow-body SOIC (SO-16). Table 11.1 Package Diagram Dimensions on page 31 lists the values for the dimensions shown in the illustration.

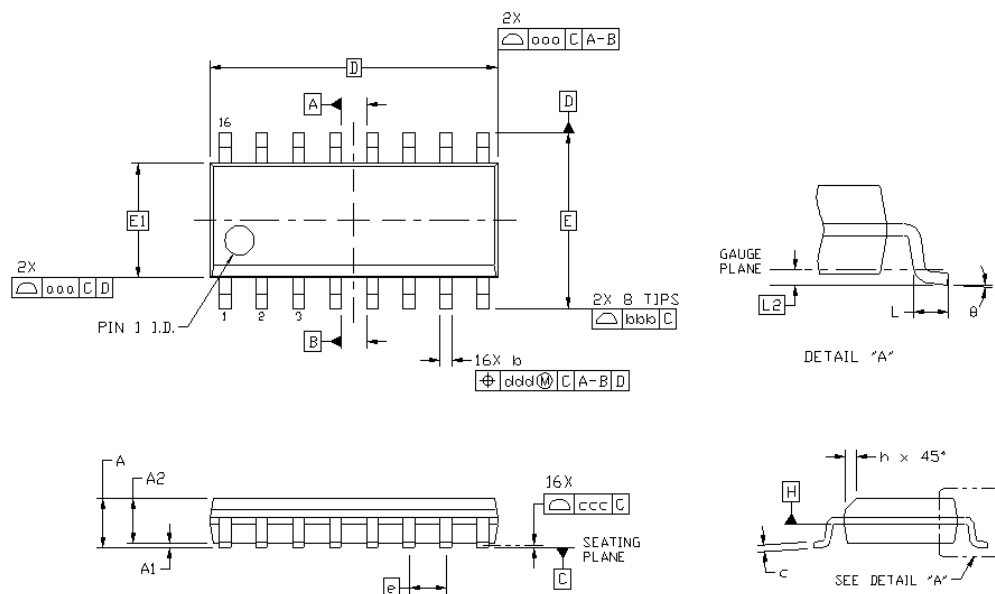


Figure 11.1. 16-pin Small Outline Integrated Circuit (SOIC) Package

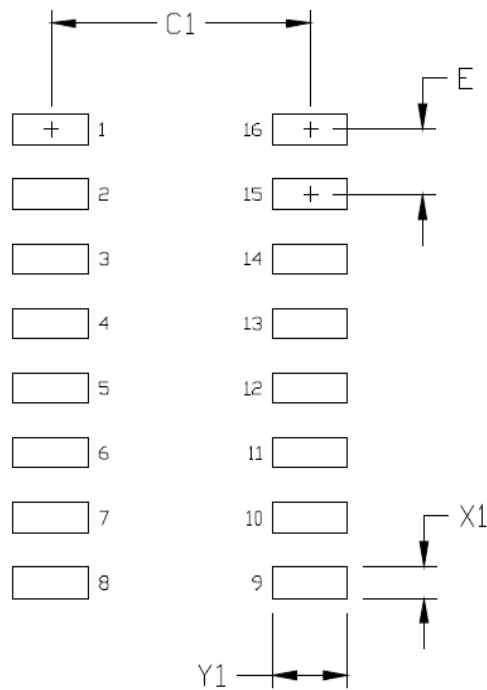
Table 11.1. Package Diagram Dimensions

Dimension	Min	Max
A	—	1.75
A1	0.10	0.25
A2	1.25	—
b	0.31	0.51
c	0.17	0.25
D	9.90 BSC	
E	6.00 BSC	
E1	3.90 BSC	
e	1.27 BSC	
L	0.40	1.27
L2	0.25 BSC	
h	0.25	0.50
$\theta$	0°	8°
aaa	0.10	
bbb	0.20	
ccc	0.10	
ddd	0.25	

Dimension	Min	Max
<p><b>Note:</b></p> <ol style="list-style-type: none"><li>1. All dimensions shown are in millimeters (mm) unless otherwise noted.</li><li>2. Dimensioning and Tolerancing per ANSI Y14.5M-1994.</li><li>3. This drawing conforms to the JEDEC Solid State Outline MS-012, Variation AC.</li><li>4. Recommended card reflow profile is per the JEDEC/IPC J-STD-020 specification for Small Body Components.</li></ol>		

## 12. Land Pattern: 16-Pin Narrow Body SOIC

Figure 12.1 16-Pin Narrow Body SOIC PCB Land Pattern on page 33 illustrates the recommended land pattern details for the Si860x in a 16-pin narrow-body SOIC. Table 12.1 16-Pin Narrow Body SOIC Land Pattern Dimensions on page 33 lists the values for the dimensions shown in the illustration.



**Figure 12.1. 16-Pin Narrow Body SOIC PCB Land Pattern**

**Table 12.1. 16-Pin Narrow Body SOIC Land Pattern Dimensions**

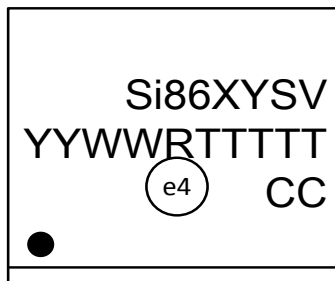
Dimension	Feature	(mm)
C1	Pad Column Spacing	5.40
E	Pad Row Pitch	1.27
X1	Pad Width	0.60
Y1	Pad Length	1.55

**Note:**

1. This Land Pattern Design is based on IPC-7351 pattern SOIC127P600X165-16N for Density Level B (Median Land Protrusion).
2. All feature sizes shown are at Maximum Material Condition (MMC) and a card fabrication tolerance of 0.05 mm is assumed.

## 13. Si860x Top Markings

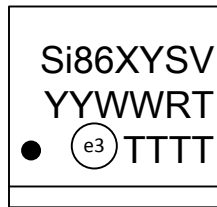
### 13.1 Top Marking: 16-Pin Wide Body SOIC



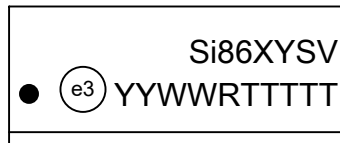
**Figure 13.1. 16-Pin Wide Body SOIC Top Marking**

**Table 13.1. 16-Pin Wide Body SOIC Top Marking Explanation**

Line 1 Marking:	Base Part Number Ordering Options (See Ordering Guide for more information).	Si86 = Isolator product series XY = Channel Configuration 05 = Bidirectional SCL, SDA; 1- forward and 1-reverse unidirectional channel 06 = Bidirectional SCL, SDA; 2- forward unidirectional channels S = Speed Grade A = 1.7 Mbps V = Isolation rating A = 1 kV; B = 2.5 kV; C = 3.75 kV; D = 5.0 kV
Line 2 Marking:	YY = Year WW = Workweek RTTTTT = Mfg Code	Assigned by assembly subcontractor. Corresponds to the year and workweek of the mold date. Manufacturing code from assembly house "R" indicates revision
Line 3 Marking:	Circle = 1.7 mm Diameter (Center-Justified) Country of Origin ISO Code Abbreviation	"e4" Pb-Free Symbol CC = Country of Origin ISO Code Abbreviation <ul style="list-style-type: none"> <li>• TW = Taiwan</li> <li>• TH = Thailand</li> </ul>

**13.2 Top Marking: 8-Pin Narrow Body SOIC****Figure 13.2. 8-Pin Narrow Body SOIC Top Marking****Table 13.2. 8-Pin Narrow Body SOIC Top Marking Explanation**

Line 1 Marking:	Base Part Number	Si86 = Isolator Product Series
	Ordering Options (See Ordering Guide for more information).	XY = Channel Configuration S = Speed Grade (max data rate) V = Insulation rating
Line 2 Marking:	YY = Year WW = Work week	Assigned by assembly contractor. Corresponds to the year and work week of the mold date.
	R = Product Revision T = First character of the manufacturing code	First two characters of the manufacturing code from Assembly.
Line 3 Marking:	Circle = 1.1 mm Diameter	“e3” Pb-Free Symbol
	TTTT = Last four characters of the manufacturing code	Last four characters of the manufacturing code from assembly.

**13.3 Top Marking: 16-Pin Narrow Body SOIC****Figure 13.3. 16-Pin Narrow Body SOIC Top Marking****Table 13.3. 16-Pin Narrow Body SOIC Top Marking Explanation**

Line 1 Marking:	Base Part Number	Si86 = Isolator product series
	Ordering Options	XY = Channel Configuration 05 = Bidirectional SCL, SDA; 1- forward and 1-reverse unidirectional channel 06 = Bidirectional SCL, SDA; 2- forward unidirectional channels S = Speed Grade A = 1.7 Mbps V = Isolation rating A = 1 kV; B = 2.5 kV; C = 3.75 kV
	Circle = 1.2 mm Diameter	“e3” Pb-Free Symbol
Line 2 Marking:	YY = Year	Assigned by the Assembly House. Corresponds to the year and work week of the mold date.
	WW = Work Week	
	R = Product Revision TTTTT = Mfg Code	Manufacturing code from assembly house

## 14. Revision History

### Revision 206852A

February, 2024

- Initial Agile PPAP release.

### Revision 1.72

September 2019

- Updated Ordering Guide.

### Revision 1.71

January 2018

- Added new table to Ordering Guide for Automotive-Grade OPN options.

### Revision 1.7

April 18, 2017

- Formatted tables in [5. Electrical Specifications](#).

### Revision 1.6

February 2017

- Corrected Figure 13.3.

### Revision 1.5

July 2016

- Converted data sheet to DITA.

### Revision 1.4

- Updated Table 6.
- Added CQC certificate numbers. Corrected Device Power Dissipation units in Table 10 on page 12.
- Updated "Ordering Guide".
- Removed references to moisture sensitivity levels.
- Removed Note 2.

### Revision 1.3

- Added Figure 3, "Common Mode Transient Immunity Test Circuit".
- Added references to CQC throughout.
- Added references to 2.5 kVRMS devices throughout.
- Removed Fail-safe operating mode throughout.
- Updated "Ordering Guide".
- Updated "Si860x Top Marking (16-Pin Wide Body SOIC)".

### Revision 1.2

- Updated Table 12.
  - Added junction temperature spec.
- Updated "Supply Bypass" .
- Updated "Ordering Guide".
  - Removed Rev A devices.
- Updated "Package Outline: 16-Pin Wide Body SOIC".
- Updated Top Marks.
  - Added revision description.

### Revision 1.1

- Updated Figures 12 and 13.
  - Updated Pin 7 AGND connection.
- Updated "Ordering Guide" to include MSL2A.

### Revision 1.0

- Reordered spec tables to conform to new convention.
- Removed "pending" throughout document.

### Revision 0.3

- Added chip graphics on page 1.
- Moved Tables 1 and 2 to page 4.
- Updated Table 7, "Insulation and Safety-Related Specifications".
- Updated Table 9, "IEC 60747-5-2 Insulation Characteristics for Si86xxxx\*" .
- Moved Table 13 to page 17.
- Moved Table 14 to page 21.
- Updated "Pin Descriptions" .
- Updated "Ordering Guide" .

### Revision 0.2

- Si8601 replaced by Si8602 throughout.
- Added chip graphics.
- Moved Table 12.
- Updated Table 3, "Si8600/02/05/06 Electrical Characteristics for Bidirectional I2C Channels1".
- Updated Table 7, "Insulation and Safety-Related Specifications".
- Updated Table 9, "IEC 60747-5-2 Insulation Characteristics for Si86xxxx\*," on page 12.
- Moved "3. Typical Application Overview" to page 16.
- Moved "Typical Performance Characteristics" to page 23.
- Updated "5.Pin Descriptions" on page 24.
- Updated "6.Ordering Guide" on page 27.

### Revision 0.1

- Initial release.

Copyright © 2010–2024, Skyworks Solutions, Inc. All Rights Reserved.

Information in this document is provided in connection with Skyworks Solutions, Inc. ("Skyworks") products or services. These materials, including the information contained herein, are provided by Skyworks as a service to its customers and may be used for informational purposes only by the customer. Skyworks assumes no responsibility for errors or omissions in these materials or the information contained herein. Skyworks may change its documentation, products, services, specifications or product descriptions at any time, without notice. Skyworks makes no commitment to update the materials or information and shall have no responsibility whatsoever for conflicts, incompatibilities, or other difficulties arising from any future changes.

No license, whether express, implied, by estoppel or otherwise, is granted to any intellectual property rights by this document. Skyworks assumes no liability for any materials, products or information provided hereunder, including the sale, distribution, reproduction or use of Skyworks products, information or materials, except as may be provided in Skyworks' Terms and Conditions of Sale.

THE MATERIALS, PRODUCTS AND INFORMATION ARE PROVIDED "AS IS" WITHOUT WARRANTY OF ANY KIND, WHETHER EXPRESS, IMPLIED, STATUTORY, OR OTHERWISE, INCLUDING FITNESS FOR A PARTICULAR PURPOSE OR USE, MERCHANTABILITY, PERFORMANCE, QUALITY OR NON-INFRINGEMENT OF ANY INTELLECTUAL PROPERTY RIGHT; ALL SUCH WARRANTIES ARE HEREBY EXPRESSLY DISCLAIMED. SKYWORKS DOES NOT WARRANT THE ACCURACY OR COMPLETENESS OF THE INFORMATION, TEXT, GRAPHICS OR OTHER ITEMS CONTAINED WITHIN THESE MATERIALS. SKYWORKS SHALL NOT BE LIABLE FOR ANY DAMAGES, INCLUDING BUT NOT LIMITED TO ANY SPECIAL, INDIRECT, INCIDENTAL, STATUTORY, OR CONSEQUENTIAL DAMAGES, INCLUDING WITHOUT LIMITATION, LOST REVENUES OR LOST PROFITS THAT MAY RESULT FROM THE USE OF THE MATERIALS OR INFORMATION, WHETHER OR NOT THE RECIPIENT OF MATERIALS HAS BEEN ADVISED OF THE POSSIBILITY OF SUCH DAMAGE.



Skyworks products are not intended for use in medical, lifesaving or life-sustaining applications, or other equipment in which the failure of the Skyworks products could lead to personal injury, death, physical or environmental damage. Skyworks customers using or selling Skyworks products for use in such applications do so at their own risk and agree to fully indemnify Skyworks for any damages resulting from such improper use or sale.

Customers are responsible for their products and applications using Skyworks products, which may deviate from published specifications as a result of design defects, errors, or operation of products outside of published parameters or design specifications. Customers should include design and operating safeguards to minimize these and other risks. Skyworks assumes no liability for applications assistance, customer product design, or damage to any equipment resulting from the use of Skyworks products outside of Skyworks' published specifications or parameters.

Skyworks, the Skyworks symbol, Sky5®, SkyOne®, SkyBlue™, Skyworks Green™, ClockBuilder®, DSPLL®, ISOmodem®, ProSLIC®, SiPHY®, and RFelC® are trademarks or registered trademarks of Skyworks Solutions, Inc. or its subsidiaries in the United States and other countries. Third-party brands and names are for identification purposes only and are the property of their respective owners. Additional information, including relevant terms and conditions, posted at [www.skyworksinc.com](http://www.skyworksinc.com), are incorporated by reference.

## Looking for pricing, stock, or lifecycle information?

Click below to explore more details on WIN SOURCE:

-  [View S18602AC-B-ISR on WIN SOURCE](#)
-  [Skyworks Solutions Inc. Information](#)

## Optimize Your Supply Chain with WIN SOURCE Solutions

-  Global Sourcing Solution
-  Obsolete Management
-  Cost Control Management
-  Shortage Management
-  Alternative Solution
-  Excess Inventory Management