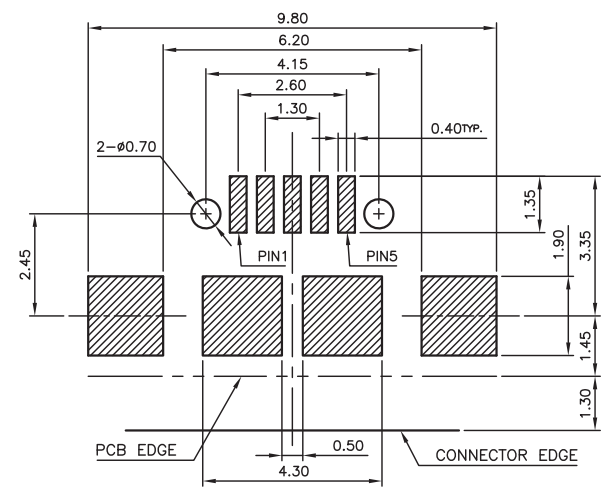
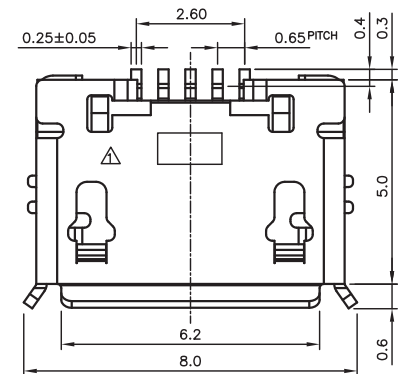
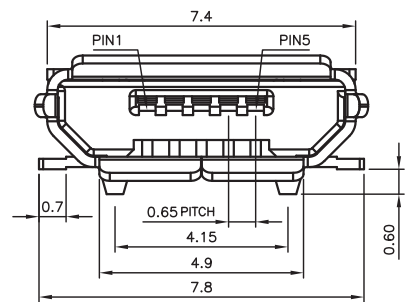
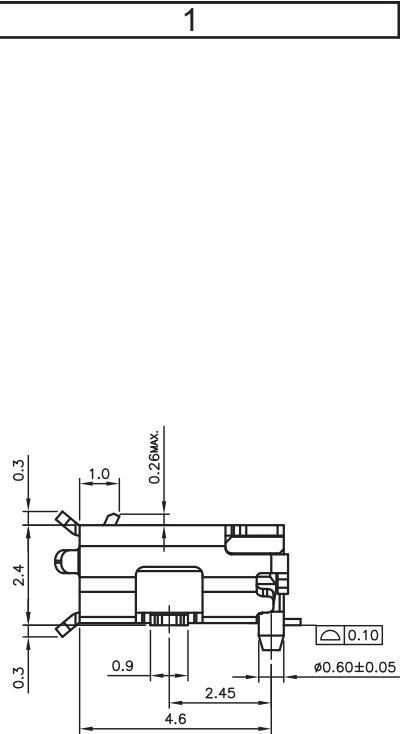




THE DATASHEET OF
629105136821





PCB LAYOUT - COMPONENT VIEW
TOLERANCE: ±0.05mm

TECHNICAL CHARACTERISTICS

MATERIAL
INSULATOR MATERIAL: LCP
FLAMMABILITY RATING UL94-V0
COLOUR: BLACK
CONTACT MATERIAL: COPPER ALLOY
CONTACT TYPE: STAMPED
CONTACT PLATING: SELECTIVE GOLD
SHIELDING: BRASS NI PLATED
QUALITY CLASS: 10.000 MATING CYCLES

ENVIRONMENTAL
OPERATING TEMPERATURE: -40 °C UP TO 105 °C
COMPLIANCE: LEAD FREE AND ROHS

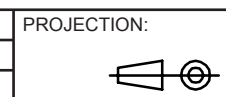
ELECTRICAL
CURRENT RATING:
- PIN 1 & PIN 5 (Vbus & corresponding ground PIN) 1.8A MAX
- OTHER PINS 1A MAX
WORKING VOLTAGE: 30 V
INSULATION RESISTANCE: >1000 MΩ
DIELECTRIC WITHSTANDING VOLTAGE: 750 VAC/MIN
CONTACT RESISTANCE: 30 mΩ MAX

STANDARD
WURTH CERTIFIED: E323964

SOLDERING
JEDEC LEAD FREE REFLOW SOLDERING

PACKAGING
TAPE AND REEL

RoHS Compliant			
P	31-JUL-15	GENERAL UPDATE	AK
O	31-OCT-14	GENERAL UPDATE	AS
REV	DATE	FILE	BY



APPROVAL: NPr

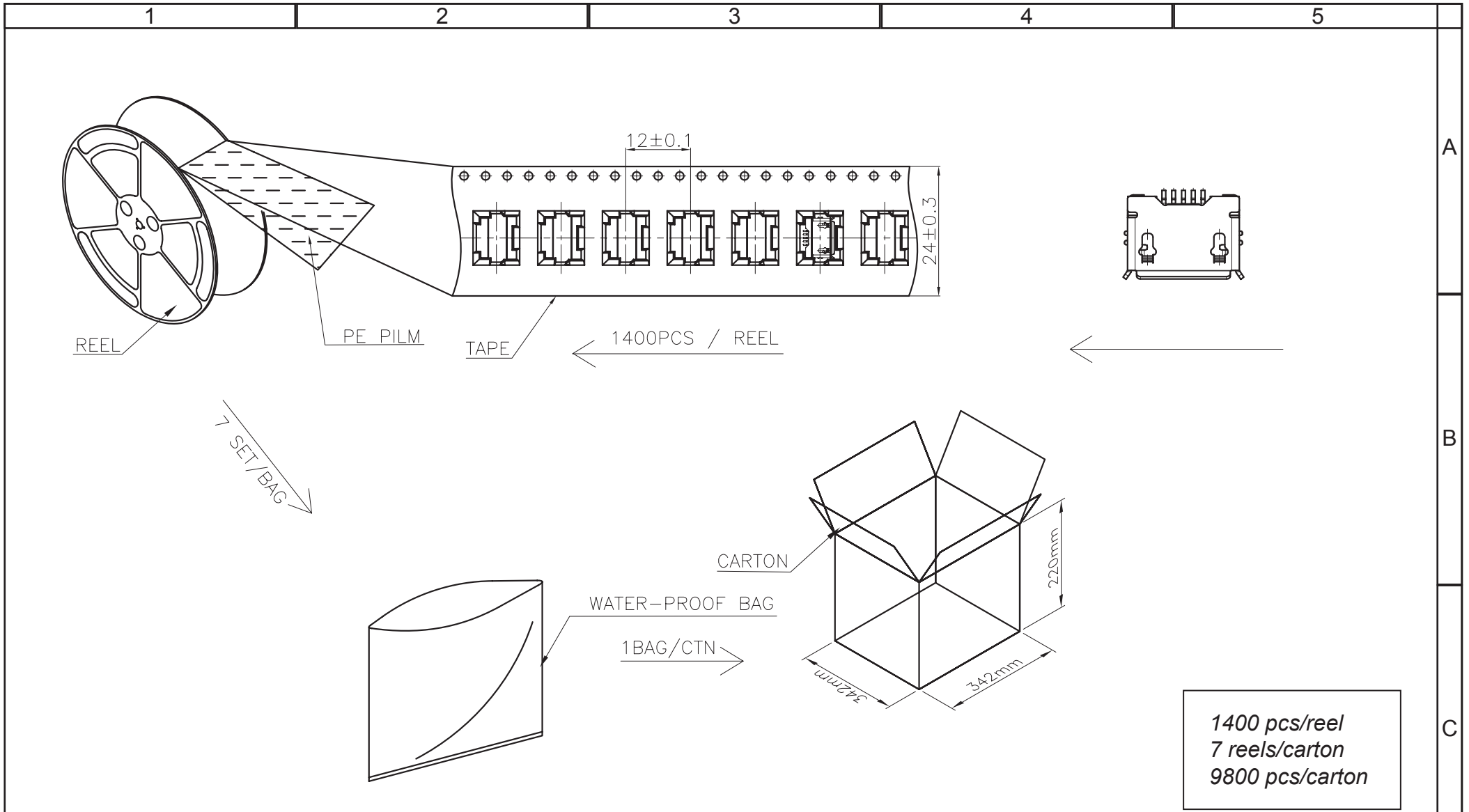
GENERAL TOLERANCE
.X = +/- 0.2
.XX = +/- 0.15


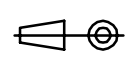
UNIT: MM
SCALE:
SHEET: 1/3
DRAW: AS



DESCRIPTION: MICRO USB 2.0 SMT TYPE B 5 CONTACTS - WR-COM
WERI PART NO: 629 105 136 821

SIZE
A4



RoHS Compliant				PROJECTION:	GENERAL TOLERANCE		DESCRIPTION: MICRO USB 2.0 SMT TYPE B 5 CONTACTS - WR-COM WERI PART NO: 629105136821	SIZE A4
					.X = +/- 0.2 .XX = +/- 0.15			
				APPROVAL: NPr	UNIT: MM			
					SCALE:			
					SHEET: 2/3			
REV	DATE	FILE	BY		DRAW: AS			

1

2

3

4

5

Cautions and Warnings:

This electronic component is designed and developed with the intention for use in general electronics equipments.

Before incorporating the components into any equipments in the field such as aerospace, aviation, nuclear control, submarine, transportation, (automotive control, train control, ship control), transportation signal, disaster prevention, medical, public information network etc. where higher safety and reliability are especially required or if there is possibility of direct damage or injury to human body, Würth Elektronik must be asked for a written approval.

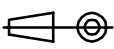

In addition, even electronic component in general electronic equipments, when used in electrical circuits that require high safety, reliability functions or performance, the sufficient reliability evaluation-check for the safety must be performed before by the user before usage.

A

B

C

RoHS Compliant

G				PROJECTION: 	GENERAL TOLERANCE .X = +/- 0.2 .XX = +/- 0.15		
F							
E							
D							
C				APPROVAL: JC	UNIT: MM	DESCRIPTION: DISCLAIMER	SIZE A4
B					SCALE:		
A	10-SEP-14	PDF	QL		SHEET: 3/3	WERI PART NO: DISCLAIMER	
REV	DATE	FILE	BY		DRAW: QL		

D

Looking for pricing, stock, or lifecycle information?

Click below to explore more details on WIN SOURCE:

 [View 629105136821 on WIN SOURCE](#)

 [Wurth Electronics Inc Information](#)

Optimize Your Supply Chain with WIN SOURCE Solutions

-  Global Sourcing Solution
-  Obsolete Management
-  Cost Control Management
-  Shortage Management
-  Alternative Solution
-  Excess Inventory Management