

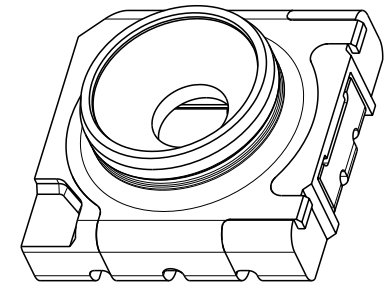


THE DATASHEET OF
1551372-1



THIS DRAWING IS UNPUBLISHED. RELEASED FOR PUBLICATION
 © COPYRIGHT - BY - ALL RIGHTS RESERVED.

LOC	DIST	REVISIONS					
H	-	P	LTR	DESCRIPTION	DATE	DWN	APVD
		A3		ECR-12-006671	11APR2012	JvH	DH
		A4		ECR-12-011017	14JUN2012	JvH	DH
		A5		ECR-12-014442	13AUG2012	JHA	DH
		A6		ECR-13-005766	03APR2013	RK	WJ

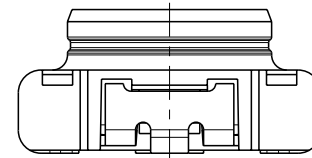
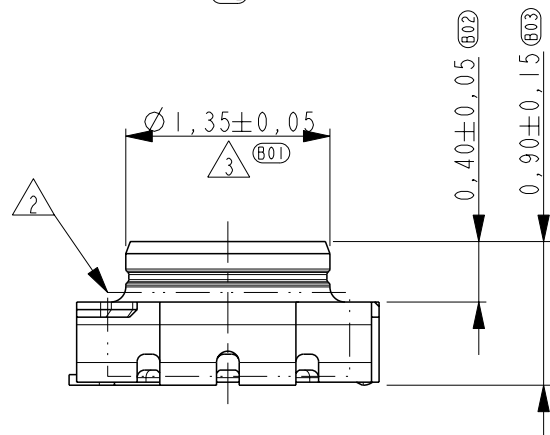
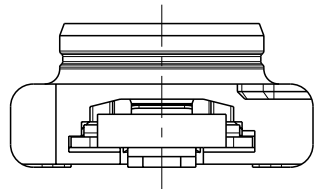
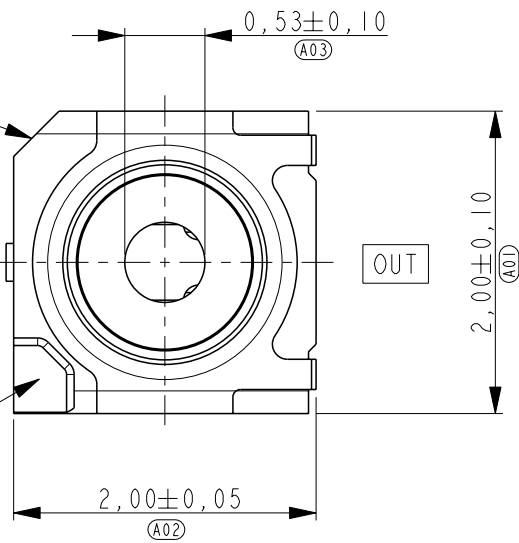


ORIENTATION FEATURE

IN

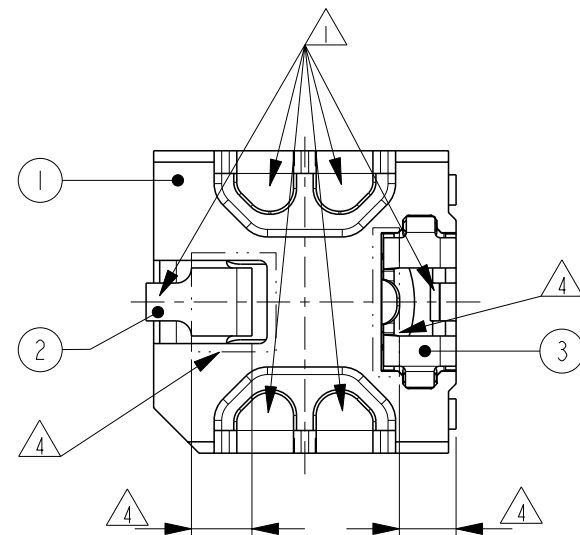
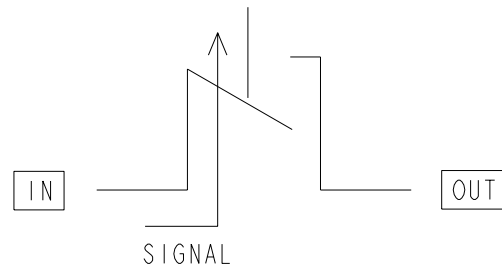
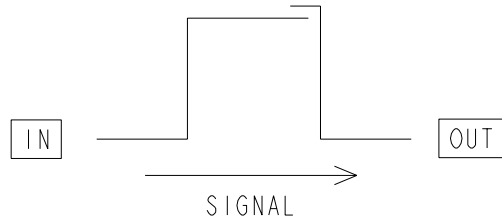
OUT

INJECTOR GATE LOCATION



NOTES:

- 1 COPLANARITY OF SOLDER SURFACES 0,08 MAX.
- 2 MAX FLASH ALLOWED IN THIS AREA (TWO SIDES) 0,08mm.
- 3 DIMENSIONS FOLLOW REQUIREMENTS FOR MATING TO:
 MASS PRODUCTION PROBE 619361-1.
 HAND PROBE 619384-1.
- 4 SOLDER BARRIER AREA; Ni PLATING ON CONTACTS.



1551372-1 AS SHOWN.

ITEM NO.	DESCRIPTION	MATERIAL	FINISH
3	CONTACT CLIP	COPPER ALLOY	0,1 µm GOLD
2	CONTACT SPRING	COPPER ALLOY	0,1 µm GOLD
1	SHIELD OVERMOULD	LCP, 30%GF / COPPER ALLOY	1,2 µm NICKEL

THIS DRAWING IS A CONTROLLED DOCUMENT.

DWN 07 SEP 2009 J. Haans
 CHK 07 SEP 2009 J. Dittner
 APVD 08 SEP 2009 D. Halberstadt

TE Connectivity

NAME RF SWITCH

PRODUCT SPEC 108-19355
 APPLICATION SPEC 114-19113

SIZE A3 CAGE CODE 00779 DRAWING NO. C=1551372 RESTRICTED TO -

WEIGHT 0,007 gr

Customer Drawing SCALE 3:10 SHEET 1 OF 3 REV A6

DIMENSIONS:	TOLERANCES UNLESS OTHERWISE SPECIFIED:
mm	0 PLC ±-
	1 PLC ±-
	2 PLC ±-
	3 PLC ±-
	4 PLC ±-
	ANGLES ±-
MATERIAL	FINISH
SEE TABLE	SEE TABLE

THIS DRAWING IS UNPUBLISHED.

RELEASED FOR PUBLICATION

© COPYRIGHT - BY -

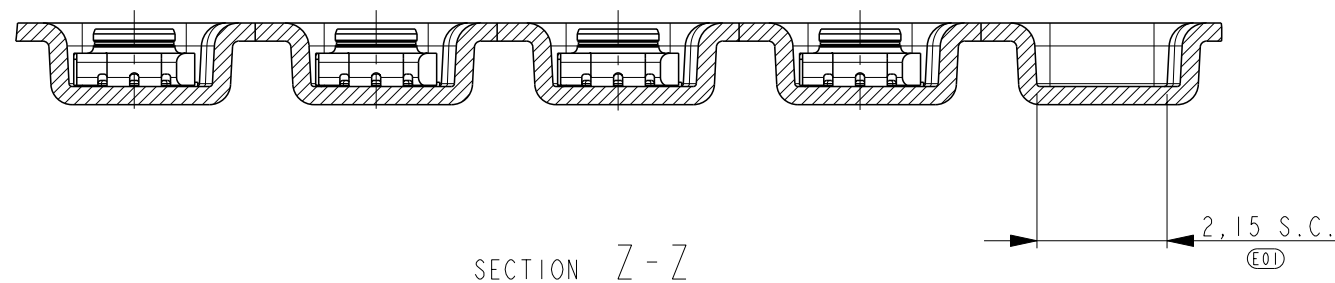
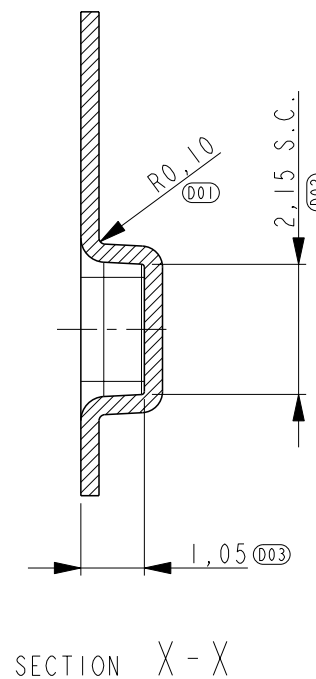
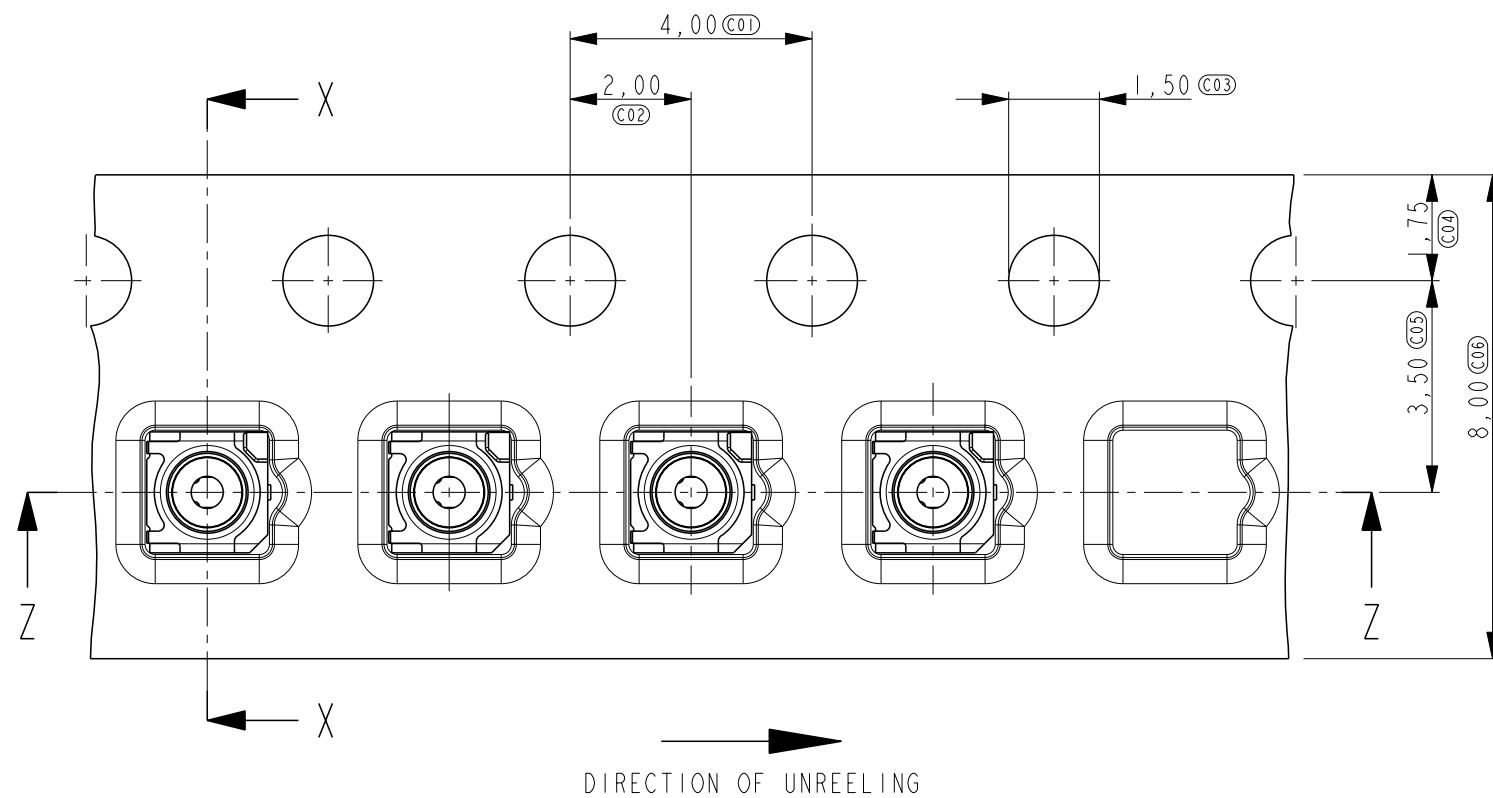
ALL RIGHTS RESERVED.

LOC
H

DIST
-

REVISIONS

P	LTR	DESCRIPTION	DATE	DWN	APVD
-	-	SEE SHEET 1	-	-	-



NOTES:

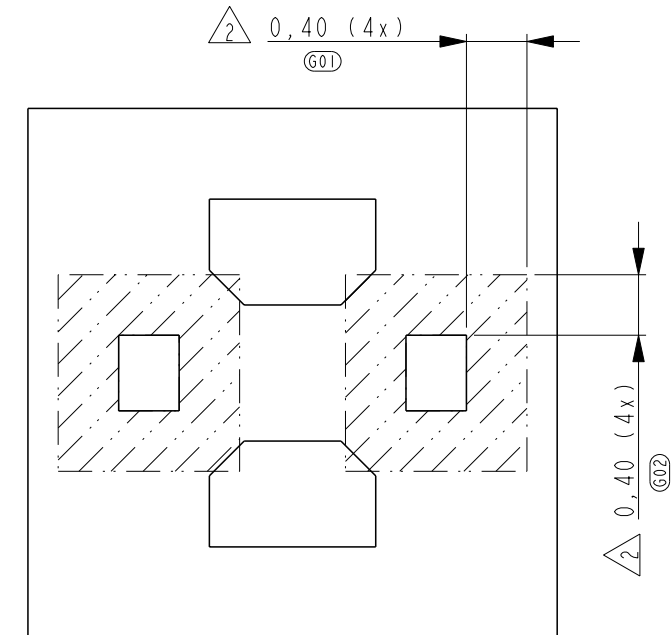
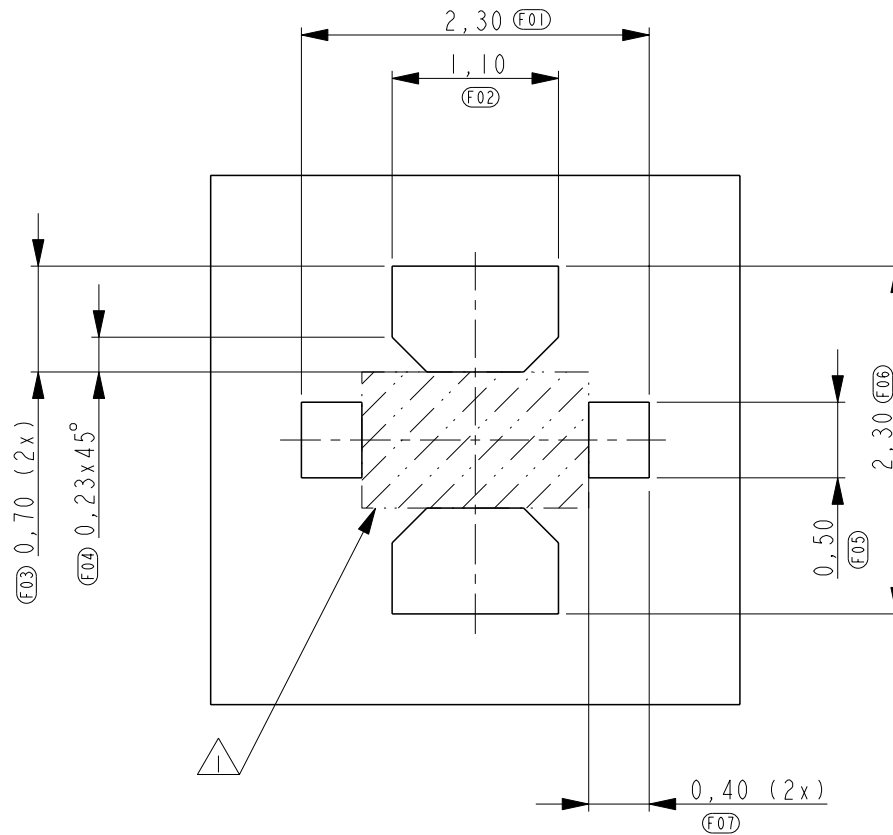
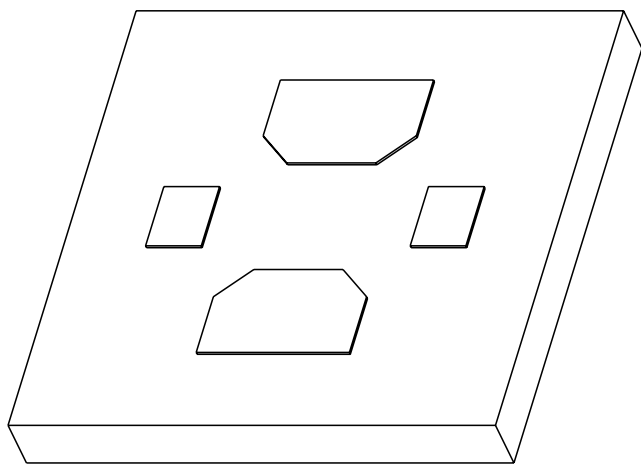
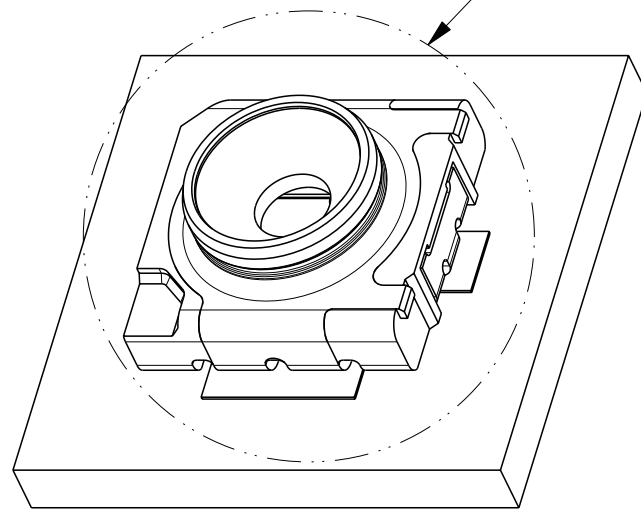
- 1 MATERIAL: PS 0,3 mm. COLOR CLEAR.
- 2 ALL INSIDE RADII 0,2 MAX, UNLESS OTHERWISE SPECIFIED.
- 3 ACCORDING EIA-481.0-B.
- 4 MAXIMUM CAMBER 1mm / 250mm.
- 5 REEL DIAM 330mm. 10000 PIECES/REEL

THIS DRAWING IS A CONTROLLED DOCUMENT.		DWN	07 SEP 2009		TE TE Connectivity
DIMENSIONS: mm		CHK	07 SEP 2009		
TOLERANCES UNLESS OTHERWISE SPECIFIED:		APVD	08 SEP 2009		
0 PLC ±-		PRODUCT SPEC	108-19355		
1 PLC ±-		APPLICATION SPEC	114-19113		NAME
2 PLC ±-		WEIGHT	0,007 gr		RF SWITCH
3 PLC ±-		Customer Drawing	SIZE	A3	CAGE CODE
4 PLC ±-		SCALE	3:10		DRAWING NO
ANGLES ±-		Customer Drawing	RESTRICTED TO	-	1551372
FINISH SEE TABLE		Customer Drawing	SCALE	3:10	SHEET
MATERIAL SEE TABLE		Customer Drawing	RESTRICTED TO	-	2 OF 3
FINISH SEE TABLE		Customer Drawing	RESTRICTED TO	-	REV
FINISH SEE TABLE		Customer Drawing	RESTRICTED TO	-	A6

THIS DRAWING IS UNPUBLISHED. RELEASED FOR PUBLICATION
 © COPYRIGHT - BY - ALL RIGHTS RESERVED.

LOC	DIST	REVISIONS					
H	-	P	LTR	DESCRIPTION	DATE	DWN	APVD
			-	SEE SHEET 1	-	-	-

KEEP AREA FREE FROM DUST PARTICLES AS RESULT OF BOARD CUTTING ETC.



- 1 NO COPPER PERMITTED UNDER THE SWITCH AT SPECIFIED DIMENSION. WHEN DEVIATED FROM DIMENSION: SIGNAL AND GROUND CONNECTIONS MUST BE DESIGNED TO MATCH THE 50 OHM IMPEDANCE.
- 2 NO OTHER SIGNAL OR GROUND PATTERN ALLOWED WITHIN SPECIFIED AREA.

RECOMMENDED PCB LAYOUT

THIS DRAWING IS A CONTROLLED DOCUMENT.		DWN 07 SEP 2009 J. Haans			
DIMENSIONS: mm		CHK 07 SEP 2009 J. Dittner			
TOLERANCES UNLESS OTHERWISE SPECIFIED:		APVD 08 SEP 2009 D. Halberstadt	NAME RF SWITCH		
0 PLC ±- 1 PLC ±- 2 PLC ±- 3 PLC ±- 4 PLC ±- ANGLES ±- FINISH SEE TABLE		PRODUCT SPEC 108-19355	RESTRICTED TO		
MATERIAL SEE TABLE		APPLICATION SPEC 114-19113	SIZE A3	CAGE CODE 00779	DRAWING NO C-1551372
		WEIGHT 0,007 gr	SCALE 3:10		SHEET 3 OF 3
		Customer Drawing	REV A6		

Looking for pricing, stock, or lifecycle information?

Click below to explore more details on WIN SOURCE:

 [View 1551372-1 on WIN SOURCE](#)

 [TE Connectivity](#) Information

Optimize Your Supply Chain with WIN SOURCE Solutions

-  Global Sourcing Solution
-  Obsolete Management
-  Cost Control Management
-  Shortage Management
-  Alternative Solution
-  Excess Inventory Management